

Service  
Service  
Service



Philips Consumer Lifestyle

# Service Manual

## Product information

### Fast & powerful crease removal

- Soleplate: T-Ionic Glide
- OptimalTemp Technology
- Safe rest
- Silent Steam Technology
- Vertical steam
- Pressure: Up to 7.5 bar
- Variable steam settings
- Steam output control
- Steam tip
- Power: 2400 W
- Constant vertical steam
- Steam boost: 450 g
- Continuous steam output: 140 g/min

### Easy to use

- Safe for all fabrics: Even for delicates like silks
- Water tank capacity: 1800 ml
- Filling and emptying water: Detachable water tank, Extra large filling hole
- Refill any time
- Heat-up time: 2 min
- Ultra light and comfortable
- Safety auto off
- Storage solution: Carry lock
- Cord freedom (swivel): 180 degree cord freedom
- Low water alarm
- Cord storage: Cord storage compartment

- Power cord length: 1.8 m
- Extra long steam hose
- Hose storage: hose storage compartment
- Hose length: 2 m
- Open handle

### Sustainability

- ECO setting
- Energy saving: 50% energy reduction
- Warranty: 2 year(s)

### Calc management

- Suitable for tap water
- Calc clean reminder
- Calc clean solution: Easy De-Calc Plus

### Technical information

- Voltage : 220 - 240 V
- Dimensions:
  - Packaging : 31 x 35 x 51 cm
  - Product : 23.3 x 28.5 x 45.3 cm
- Weight:
  - Iron : 0.8 kg
  - Iron + Base : 5.1 kg

INLAY & LIGHT STRIP 1

MICROSWITCH & REFLECTOR ASSY 2

TRIGGER SPRING 4

TRIGGER 5

HOUSING CAP 6

HOUSING 8

- Remove **Screw A1**
- Remove **INLAY & LIGHT STRIP 1**
- Remove **Screw B1, B2, B3 & B4**
- Remove **MICRO SWITCH & REFLECTOR ASSY 2**
- Remove **TRIGGER SPRING 4**
- Remove **TRIGGER 5**
- Remove **HOUSING CAP 6**
- Remove **Screw C1**
- Remove **Screw D1 & D2**
- Remove **HOUSING 8**

GROMMET 7

CORD CLAMP 9

RUBBER BUNG 11 & RYTON RING 12

CHASSIS 10

SOLEPLATE ASSY 13

- Remove **Screw E1 & E2**
- Remove **GROMMET 7**
- Remove **Screw F1 & F2**
- Remove **CORD CLAMP 9**
- Disconnect **All wire connection**
- Remove **RUBBER BUNG 11**
- Remove **RYTON RING 12**
- Remove **Mica sheet**
- Remove **Screw G1, G2, G3 & G4**
- Remove **CHASSIS 10**
- Remove **SOLEPLATE ASSY 13**
- Remove **Screw H1**
- Remove **Thermistor**

FRONT LOCK SLIDER SPRING 16H

FRONT LOCK CATCH SPRING 16G

- Remove **Screw J1 - J5**
- Remove **Tray**
- Remove **FRONT LOCK SLIDER SPRING 16H**
- Remove **Lock assy**
- Remove **Screw K1, K2, K3 & K4**
- Remove **Front lock bracket**
- Remove **FRONT LOCK CATCH SPRING 16G**

UI POWER BOARD 23

BUTTON FRAME 24

POWER BUTTON 25

- Remove **TRAY 18**
- Remove **Screw L1, L2 & L3**
- Remove **IU BOARD PCBA 23**
- Remove **Screw M1 & M2**
- Remove **BUTTON FRAME 24**
- Remove **POWER BUTTON 25**

WATER TANK ASSY 15

TRAY RUBBER CAP 17

BUNG 51

STAND TOP 19

RETURN TUBE 29

- Remove **WATER TANK ASSY 15**
- Remove **TRAY RUBBER CAP 17**
- Remove **BUNG 51**
- Remove **Screw A1 - A10**
- Remove **STAND TOP 19**
- Remove **RETURN TUBE 29**

INLET SUPPORT SEAL 30

INLET SUPPORT PLATE 31

INLET COUPLING SUPPORT 32

- Remove **Screw B1 & B2**
- Remove **INLET SUPPORT SEAL 30**
- Remove **INLET COUPLING PLATE 31**
- Disconnect **Tube**
- Remove **INLET COUPLING SUPPORT 32**

POWER BOARD PCBA ASSY 20

PCBA HOLDER 21

HALL SENSOR PCBA ASSY 22

PUMP SUPPORT 28A & 18B

CORRUGATED ELBOW TUBE 27

BRAIDED RUBBER HOSE 33

PUMP ASSY 26

- Remove **Screw C1 - C5**
- Remove **POWER BOARD PCBA ASSY 20**
- Remove **PCBA HOLDER 21**
- Disconnect **All wire connection**
- Remove **HALL SENSOR PCBA ASSY 22**
- Remove **PUMP SUPPORT 28A & 18B**
- Remove **CORRUGATED ELBOW TUBE 27**
- Remove **Inox clamp**
- Remove **Hose clip**
- Remove **BRAIDED RUBBER HOSE 33**
- Remove **PUMP ASSY 26**

SAFETY CAP 38B

SAFETY VALVE 38A

E-VALVE 37

RINSE CAP ASSY 42

SPACER TOP 46

SPACER BOTTOM 47

BOILER ASSY 36

- Remove **SAFETY CAP 38B**
- Remove **SAFETY VALVE 38A**
- Remove **E-VALVE 37**
- Remove **Hose clip**
- Remove **BRAIDED RUBBER HOSE 33**
- Remove **Screw D1 - D5**
- Remove **RINSE CAP 42**
- Remove **SPACER TOP 46**
- Remove **SPACER BOTTOM 47**
- Remove **BOILER ASSY 36**

CLAMPING PLATE 45

CORD SET 43

CORD CLAMP 44

HOSE CORD MTD ASSY 14

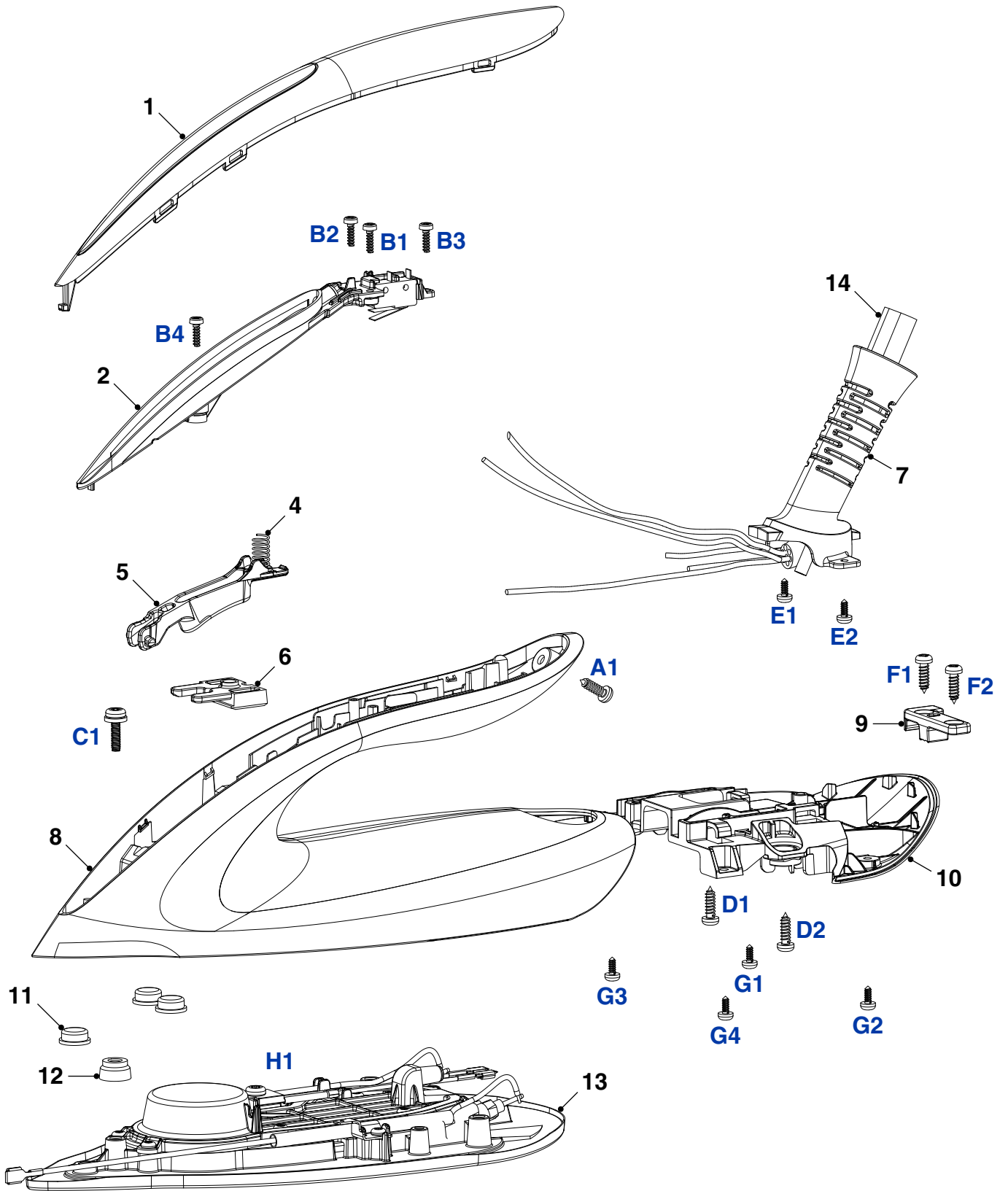
BELT LOOP LEFT 49 & RIGHT 48

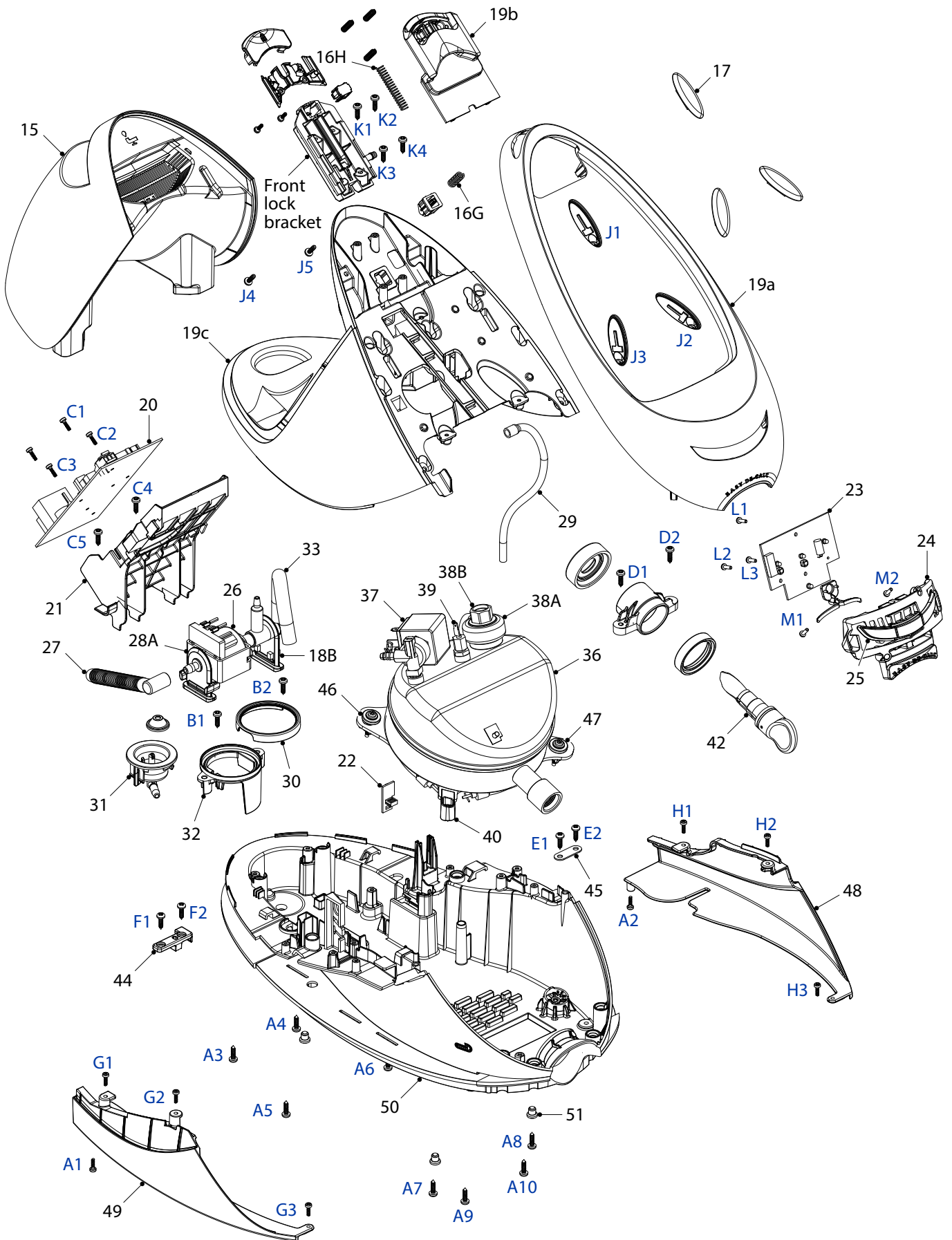
STAND BOTTOM 50

- Remove **Screw E1 & E2**
- Remove **CLAMPING PLATE 45**
- Remove **CORD SET 43**
- Remove **Screw F1 & F2**
- Remove **CORD CLAMP 44**
- Remove **HOSE CORD MTD ASSY 14**
- Remove **Screw G1, G2 & G3**
- Remove **BELT LOOP LEFT 49**
- Remove **Screw H1, H2 & H3**
- Remove **BELT LOOP RIGHT 48**
- Remove **STAND BOTTOM 50**

Pos	Service code	Description
1	4239 021 88441	Inlay & Light strip
2	4239 026 61311	Reflector assy
3	4239 021 87002	LED wire assy
4	4239 014 55381	Trigger spring
5	4239 026 61921	Trigger
6	4239 015 61511	Housing cap
8	4239 021 88901	Housing & Deco plate
10	4239 026 62001	Chassis
11	4239 015 59781	Rubber bung
12	4239 015 70153	Ryton ring
13	4239 021 86871	Soleplate Mtd assy
14	4239 021 88952	Hose cord Mtd assy

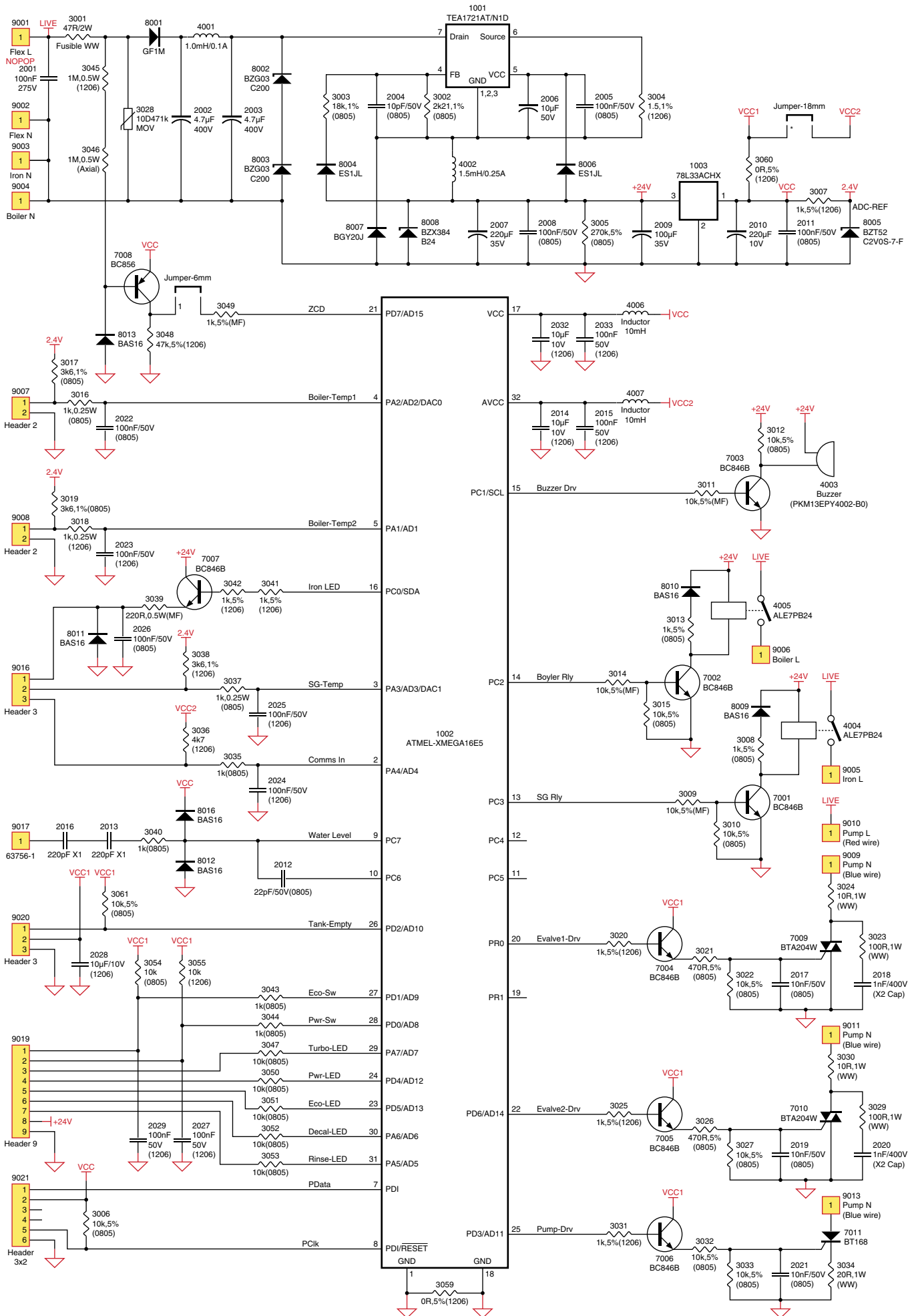
Pos	Service code	Description
15	4239 021 88941	Water tank assy
16G	4239 014 55091	Front lock catch spring
16H	4239 014 55011	Front lock slider spring
17	4239 015 59731	Tray rubber cap
19	4239 021 88931	Stand top
		(a: Tray) (b: Front Lock assy) (c: Stand Top Molded)
20	4239 021 87372	Power board PCBA assy
21	4239 026 61591	PCBA holder
22	4239 021 87391	Hall sensor PCBA assy
23	4239 021 87382	IU board PCBA assy
24	4239 021 89731	Button frame
25	4239 021 89741	Power button
26	4239 021 86521	Pump assy
27	4239 015 61551	Corrugated elbow tube
28A	4239 015 61631	Pump support - HE
18B	4239 015 61641	Pump support 2
29	4239 015 59321	Return tube
30	4239 015 61571	Inlet support seal
31	4239 021 88471	Inlet coupling plate
32	4239 026 61601	Inlet coupling support
33	4239 015 61381	Braided rubber hose
34	4239 010 10281	Hose clip
35	4239 010 10261	Inox clamp
36	4239 010 14061	Boiler assy (1700 W)
37	4239 010 13831	E - valve (7 bar)
38A	4239 010 13821	Safety valve (8 bar)
38B	4239 015 59211	Safety cap Nat
39	4239 021 86971	Water probe assy
40	4239 026 42581	Boiler support bracket
41	4239 015 70153	Ryton ring (Boiler)
42	4239 021 88421	Rinse cap assy
43	2422 070 98597	Cordset (EU)
44	4239 026 26273	Cord clamp
45	4239 010 00283	Clamping plate
46	4239 026 51241	Spacer top
47	4239 026 32181	Spacer bottom
50	4239 021 88921	Stand bottom assy
51	4239 015 52342	Bung
52	4239 017 14511	Glove





# Wiring Diagram

# GC9650



- Due to the high wattage of the iron, only the specified cord set must be used.
- Should damage be observed on the **CORSET 43**, it must be replaced. Continued usage is not allowed.
- If **STAND BOTTOM ASSY 50** is provided without type plate information eg. Type number, voltage etc. When replacing the Stand Bottom Assy, engrave the type number & voltage on the type plate with a sharp object.
- After the product has been repaired, it should function properly and has to meet the safety requirements & legal regulation as laid down & officially established at this moment.
- The following tests are common checks that are conducted on a repaired product before it is returned to the consumer.

**1. Soleplate temperature**

Check the soleplate temperature is within IEC requirement.

Soleplate temperature (Deg C)		Materials, for example	
Minimum	Maximum		
120	143	All fabric types	

**2. Leakage current**

Check that leakage current is within IEC requirement.

Measure leakage current between LIVE/NEUTRAL & EARTH.

IEC requirement is that at 230 V supply, the EARTH leakage current must be less than 0.75 mA.

**3. Water leakage / Functionality**

Check that there is no water leakage from any part of product during operation.

Check that the functionality of the product (product dependent) eg. Steaming, variable steam, SOS, ASO etc is working properly.

**4. Loose part**

Check that there are no loose parts eg. Extra screws in the product that can cause short-circuit or product malfunctions.

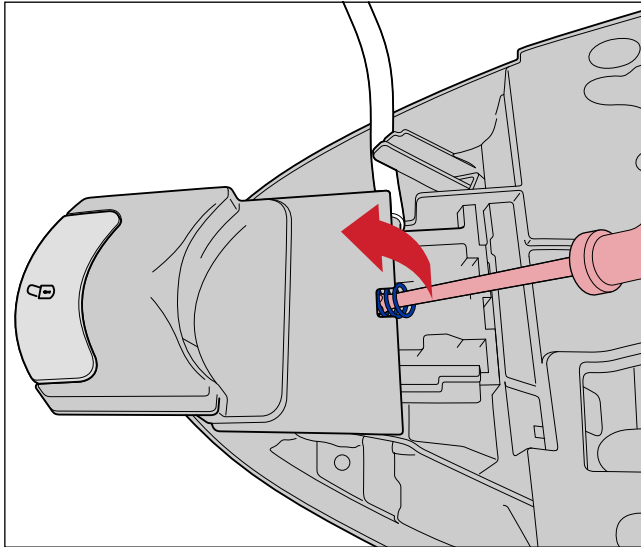
**5. Fuse open circuit**

When replacing fuse, to also service the water tubes which is probably choked with calc.

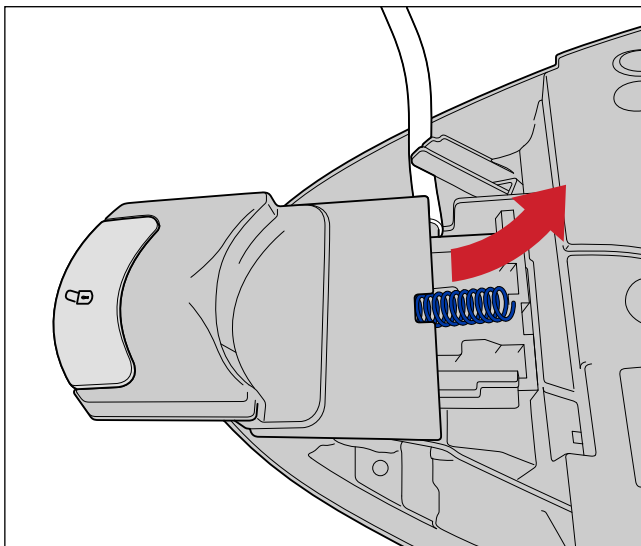


**Lock assy disassembly advise**

Step 1: Use a screw driver to lift up the spring in the lock assy.



Step 2: Remove the lifted spring.



Step 3: Slide and lift up the lock assy.

