



Philips Consumer Lifestyle

Service Manual

PRODUCT INFORMATION

Safety Information

- This product meets the requirements regarding interference suppression on radio & TV.
- After the product has been repaired, it should function properly and has to meet the safety requirements & legal regulations as laid down & officially established at this moment.

Features

Iron

- Careeza soleplate with pointed tip
- Power on switch cum iron ready lamp
- Iron ready in 2 mins
- Auto shut off in 5 mins
- Suction & blowing button for active board
- Steam trigger
- Heel rest
- Iron hose cord 1.6 m

Steamer

- Internal heating element
- Power on switch cum steamer ready lamp
- Steamer ready in 2 mins
- Auto shut off in 5 mins
- Suction & blowing button for active board
- Steam trigger
- Steamer hose cord 1.8 m

Ironing Board

- Non-scorch board cover
- Active & passive boards (Longer portion is the Active board)
- Special shape on Active board for shirt & blouse
- Refresh button on Active board for refresh mode (Auto shut off in 10 mins)
- Heater on Active board
- Bi-directional fan on Active board for blowing & suction
- Board tilting mechanism
- Board folding & locking strap for storage & transport
- Height adjustment for board 0.75 m to 1.00 m in 22 intermediate steps
- Rod hanger for steamer mode

Stand

- Automatic calc-cleaning system (2 mins to complete)
- Boiler 4.5 bar
- Heat resistant storage compartment for iron & steamer
- Retractable auto cord-winder 3.5 m effective length
- Wheels for ease of mobility
- Detachable water tank 2.5 L
- Detachable rinse tank 0.85 L
- LED lamp for power-on, water tank & rinse tank

TECHNICAL INFORMATION

- Power Maximum : 2400 W at 240 V, 10 A
 - Boiler : 1200 W
 - Iron : 800 W
 - Steamer : 500 W
 - Board heater : 400 W
 - Fan : 40 W
- Voltage : 230 V
- Frequency : 50 - 60 Hz
- Weight (product) : 20 kg
- Weight (with package) : 24 kg
- Product dimensions : 500 x 480 x 760 mm (L x W x H)
in storage mode

Start-up time

Approximate 2 mins

Approximate 5 mins if automatic calc-cleaning is required

Board cover

The non-scorch cover can withstand 230 deg C continuously for 45 mins. This allows iron to be rested horizontally on the cover during ironing.

Board heating

Heater is provided only in the active board. On the board cover, the feeling is warmth (< 60 deg C) & not scalding hot. For optimized performance of the appliance, the heater is permanently on during steamer & refresh mode while switches with iron during ironing mode.

Active ironing board

The ironing board has 2 portions: Passive & Active board. The longer portion is the Active board. The Active board is specially shaped for shirt or blouse during ironing, steamer & refresh mode. It also has a bi-directional fan & board heater that offers suction or blowing & board heating during use. For optimized performance of the appliance, fan is permanently on during use.

Refresh mode

During refresh mode, warm air blows out from the air vent at the side of the active board housing. The refresh mode runs for 10 mins & then switches off automatically. You can repeat the refreshing by pressing the refresh button again.

Automatic calc-cleaning system

When the power-on light blinks, automatic calc-cleaning is active. Wait 2 mins for the appliance to complete the calc-cleaning process. After calc-cleaning is completed, the rinse tray light blinks & a few beeps can be heard. Empty the rinse tray & re-insert it. The 0.85 L detachable rinse tank has sufficient capacity for 1 rinse (rinse volume 0.55 L) with buffer to avoid spillage while transporting to empty the contents.

During automatic calc-cleaning, the appliance is disabled until the process is completed.

Indicator lamp

All switch-cum-lamps on the appliance use blue LED. For the iron & steamer light, the LED flashes during heat up & burn steadily when ready. The power-on light on stand will remain lit as long as the appliance is plugged in & the main switch is on.

Appliance power management scheme

Please take note that the following combinations cannot be operated simultaneously:

Iron mode + Steamer mode

Iron mode + Refresh mode

FAN GRILLE 3

FAN GASKET 4

FAN ASSY 5

- Remove bolts A1 - A4
- Disassemble FAN GRILLE 3
- Disconnect 4-pole cable of FAN ASSY 5
- Disassemble FAN ASSY 5
- Disassemble FAN GASKET 4

Reassembly tip:
 Ensure fan assy orientation - light blue colour fan label to face board frame

BOARD HOUSING ACTIVE 7

- Remove BOARD STICKER 14 (on active board)
- Remove screws B1 - B20
- Remove board plugs C1 - C3
- Disassemble BOARD HOUSING ACTIVE 7

Reassembly tip:
 Adjust board plug C1, C2, C3 clockwise & counter-clockwise to align screw holes between board frame & board housing before screwing.
 C1: adjustment B1 - B6
 C2: adjustment B7 - B12
 C3: adjustment B13 - B14

Reassembly tip:
 Replace with new BOARD STICKER 14 after reassembling BOARD HOUSING ACTIVE 7

BOARD HEATER 1

BOARD TCO/FUSE 2

- Remove heater terminal connections D1, D2
- Unbend heater tabs E1 - E7
- Disassemble Board heater



Disassembly tip:
 Do not over-bend heater tabs to prevent breakage

Reassembly tip:
 The slot holes on the heater tab & board frame are for riveting. Use rivets SUS dia 3.2 x 6.35 & rivet gun when reassembling BOARD HEATER 1

- Remove rivets F1, F2
- Disassemble BOARD TCO/FUSE 2

Reassembly tip:
 Use rivets SUS dia 3.2 x 6.35 & rivet gun when reassembling BOARD TCO/FUSE 2

KNOB FLAP 10

KNOB 11

- Remove screws G1, G2
- Disassemble KNOB FLAP 10
- Disassemble KNOB 11

COVER BUTTON REFRESH 12

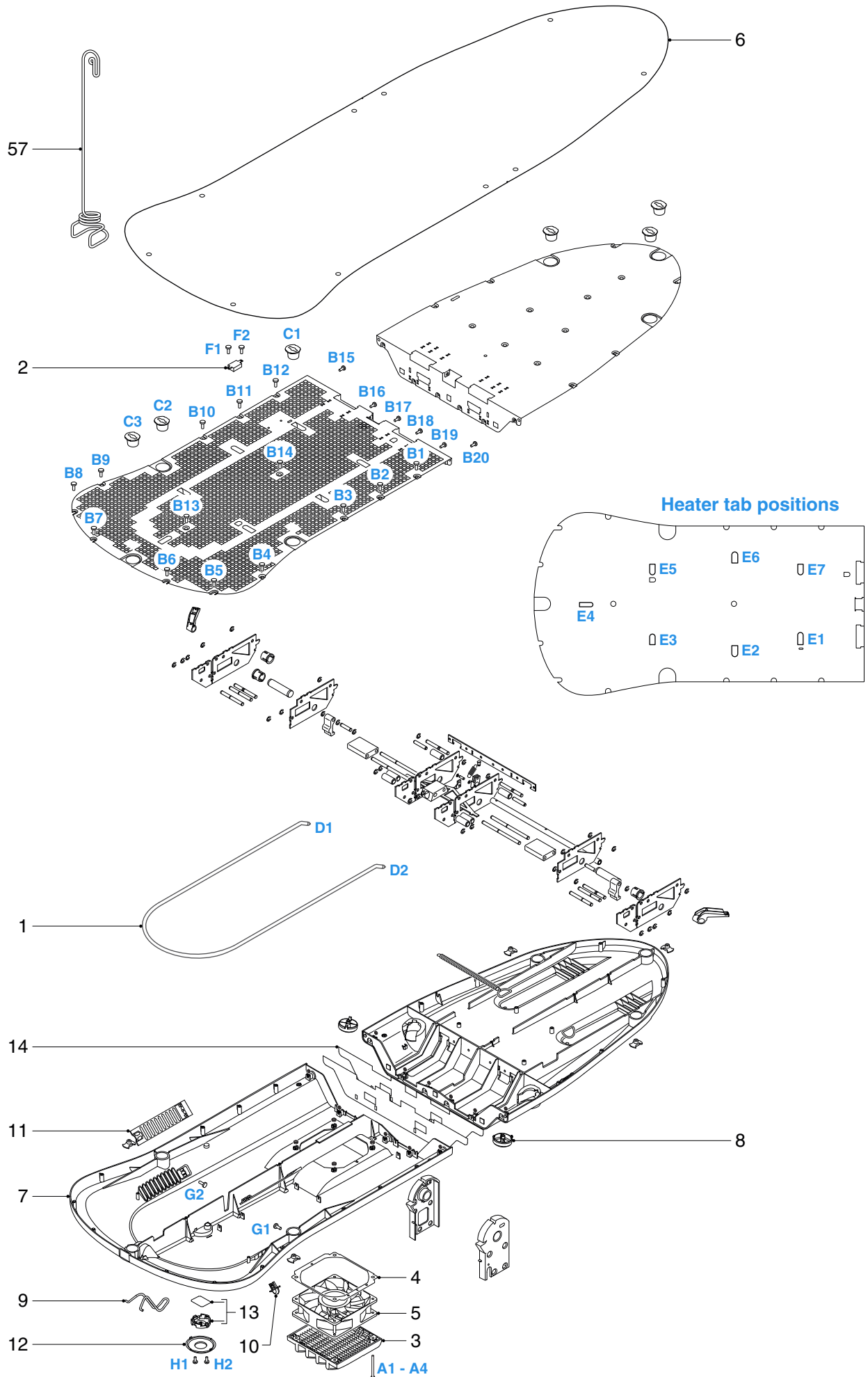
BUTTON REFRESH ASSY 13

- Disassemble COVER BUTTON REFRESH 12 (rotate anticlockwise)
- Remove screws H1, H2
- Remove wire stud
- Disconnect 2-pole cable of BUTTON REFRESH ASSY 13
- Disassemble BUTTON REFRESH ASSY 13

Pos	Service code	Description	Remark
1	4239 010 09690	Board heater	
2	4239 017 10080	TCO/Fuse board	
3	4239 026 22820	Fan grille (Purple)	
	4239 026 25910	Fan grille (Blue)	
4	4239 015 56230	Fan gasket	
5	4239 017 10090	Fan assy	
	4239 017 11040	Fan *	
6	4239 017 14111	Anti scorch board cover	
7	4239 026 22750	Board housing active (Purple)	By order
	4239 026 25870	Board housing active (Blue)	By order
8	4239 026 22830	Button tilt (Dark grey)	
9	4239 010 09750	Rod hanger	
10	4239 026 22840	Knob flap (Dark grey)	
11	4239 026 22760	Flap (Dark grey)	
12	4239 026 22780	Cover button refresh (Purple)	
	4239 026 25880	Cover button refresh (Blue)	
13	4239 021 33280	Button refresh assy	
14	4239 026 22810	Board sticker (Purple)	
	4239 026 25900	Board sticker (Grey)	
55	4239 016 82220	Board heater rivet	
57	4239 021 49080	Hose holder assy	

Note:

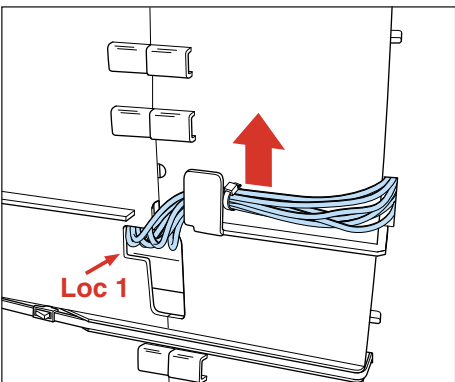
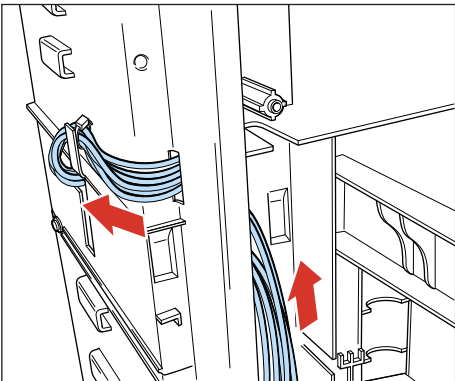
Please order part with '*' when servicing product which has date code ~~934~~.



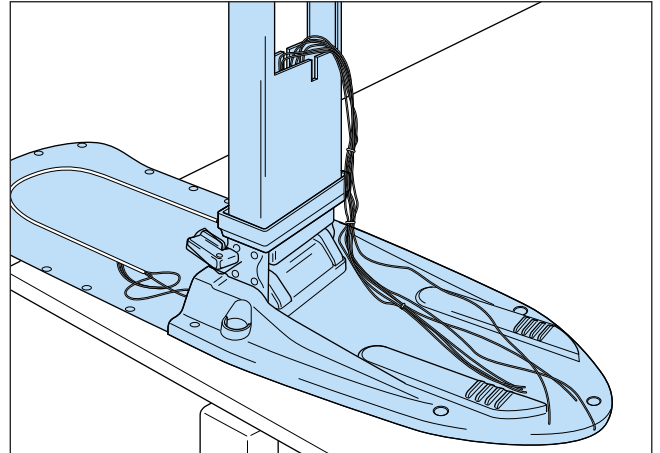
- MOVING COLUMN ASSY 15**
- PLATE PIVOT FLANGE LEFT 16**
- PLATE PIVOT FLANGE RIGHT 17**
- HANDLE LIFT LEFT 18**
- HANDLE LIFT RIGHT 19**

- Remove screws M1 - M4
- Disassemble BACK COVER TOP 21
- Remove screw S1
- Remove screws T1, T2, T9, T10
- Disassemble PANEL LEFT ASSY 24
- Disconnect 4-pole cable W4, 2-pole cable W5, Quick-connectors L3, N3 & Earth (Board heater) on STAND ELECTRONICS 37

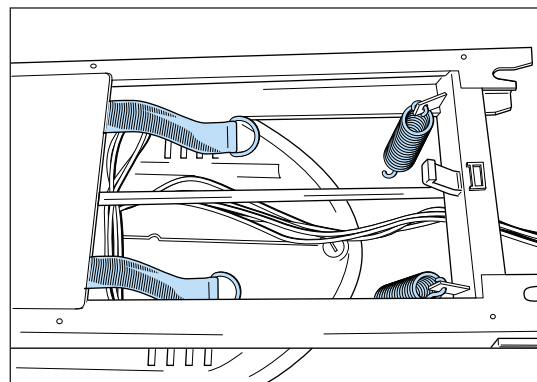
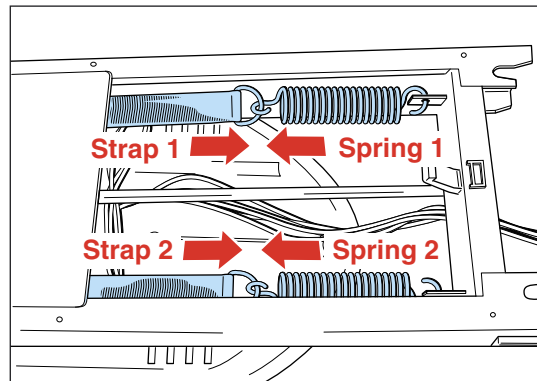
Undress the disconnected wires so that their ends are hanging freely from position Loc 1:



- Remove screw M5
- Press HANDLE LIFT LEFT 18 & HANDLE LIFT RIGHT 19
- Pull upwards IRONING BOARD-MOVING COLUMN assy, detaching completely from the Stand.
- Place IRONING BOARD-MOVING COLUMN upside down, lying flat on ironing board surface as follows:



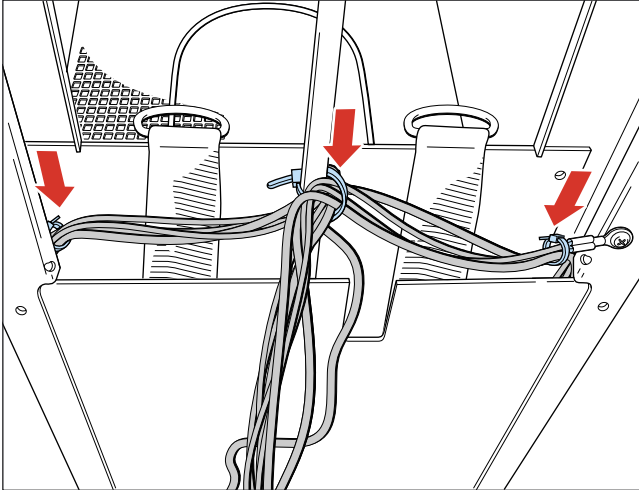
Unhook 2x straps from the springs as follows:



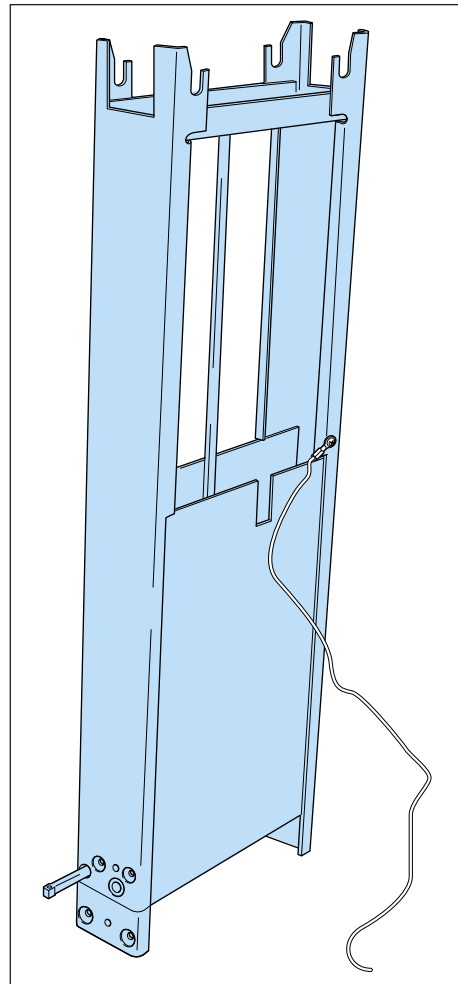
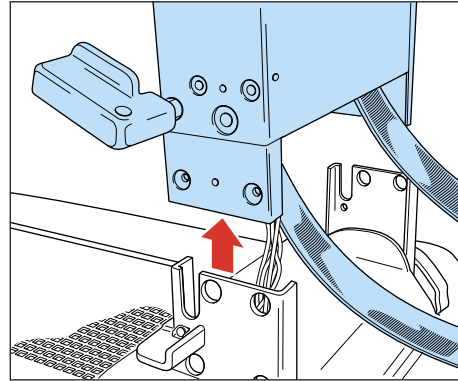
DISASSEMBLY ADVICE - MOVING COLUMN

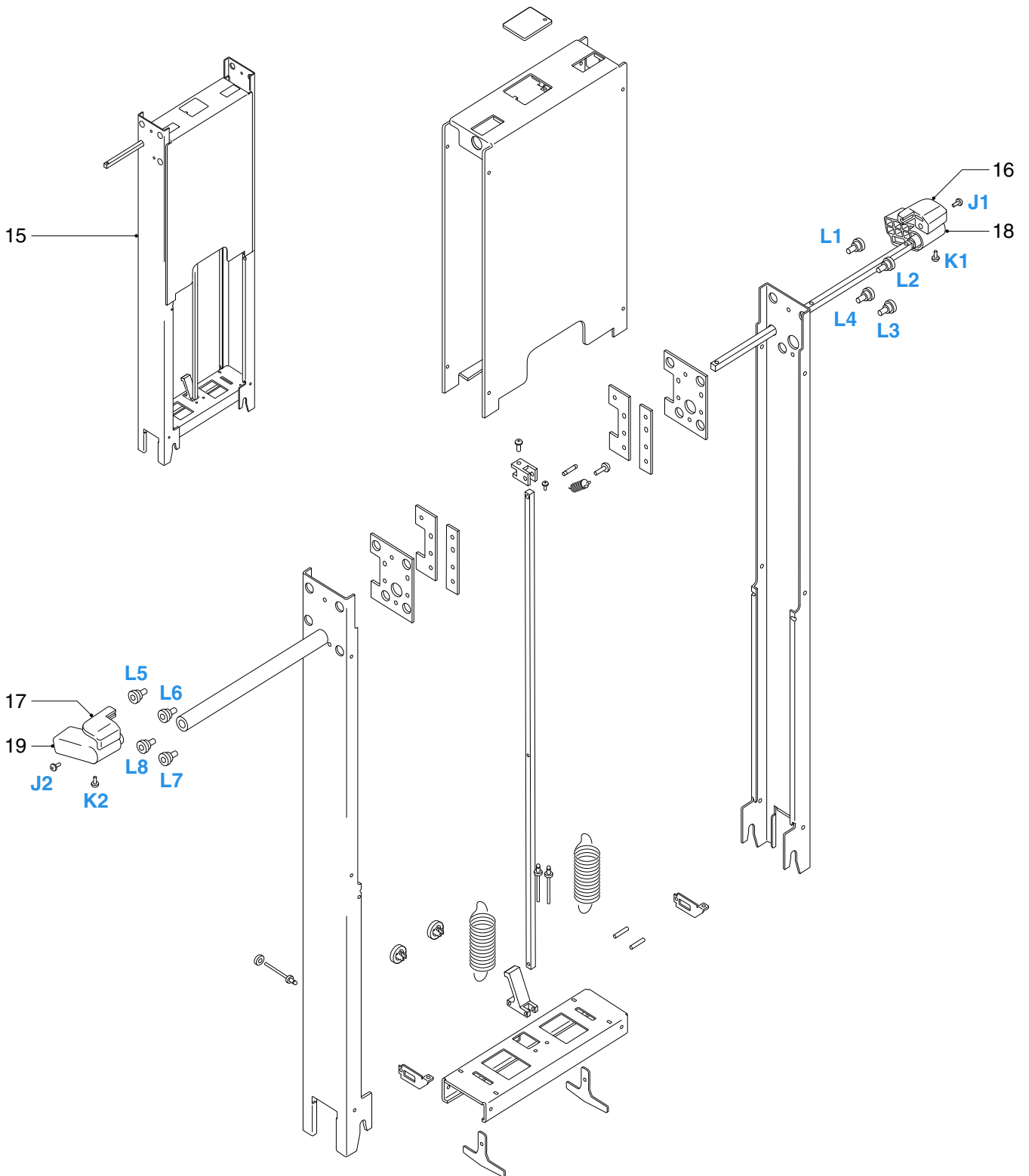
GC9920

- Remove screws J1, J2
- Disassemble PLATE PIVOT FLANGE LEFT 16
- Disassemble PLATE PIVOT FLANGE RIGHT 17
- Remove screws K1, K2
- Disassemble HANDLE LIFT LEFT 18
- Disassemble HANDLE LIFT RIGHT 19
- Remove T10 Torx screws L1 - L8
- Cut 3x cable ties to free the wires on MOVING COLUMN ASSY 15



Disassemble MOVING COLUMN ASSY 15





Pos	Service code	Description	Remark
15	4239 020 01350	Moving column assy	By order
	4239 020 02511	Moving column assy *	
16	4239 026 22920	Plate pivot flange left (Dark grey)	
17	4239 026 22930	Plate pivot flange right (Dark grey)	
18	4239 026 22940	Handle lift left (Dark grey)	
19	4239 026 22950	Handle lift right (Dark grey)	

Note:
Please order part with ‘*’ when servicing product which has date code ≥ wk934.

■ = changed

WHEEL ASSY 31

CAP WHEEL PAINTED 32

E-RING 33

- Disassemble CAP WHEEL PAINTED 32
- Disassemble E-RING 33
- Disassemble WHEEL ASSY 31

BACK COVERTOP 21

BACK COVER BOTTOM 22

AUTO CORD WINDER 38

- Remove screws M1 - M4
- Disassemble BACK COVER TOP 21
- Remove screws N1 - N6
- Disassemble BACK COVER BOTTOM 22
- Remove screws P1, P2, P3
- Disconnect quick-connectors E, L, N at the back of AUTO CORD WINDER 38
- Disassemble AUTO CORD WINDER 38

SPRING LIFT COLUMN ASSY 27

- Remove IRONING BOARD-MOVING COLUMN assy (refer DISASSEMBLY ADVICE-MOVING COLUMN)
- Remove screws Q1, Q2
- Disassemble SPRING LIFT COLUMN ASSY 27

FOOT ASSY 28

- Remove screws R1 - R4
- Disassemble FOOT ASSY

PANEL LEFT ASSY 24

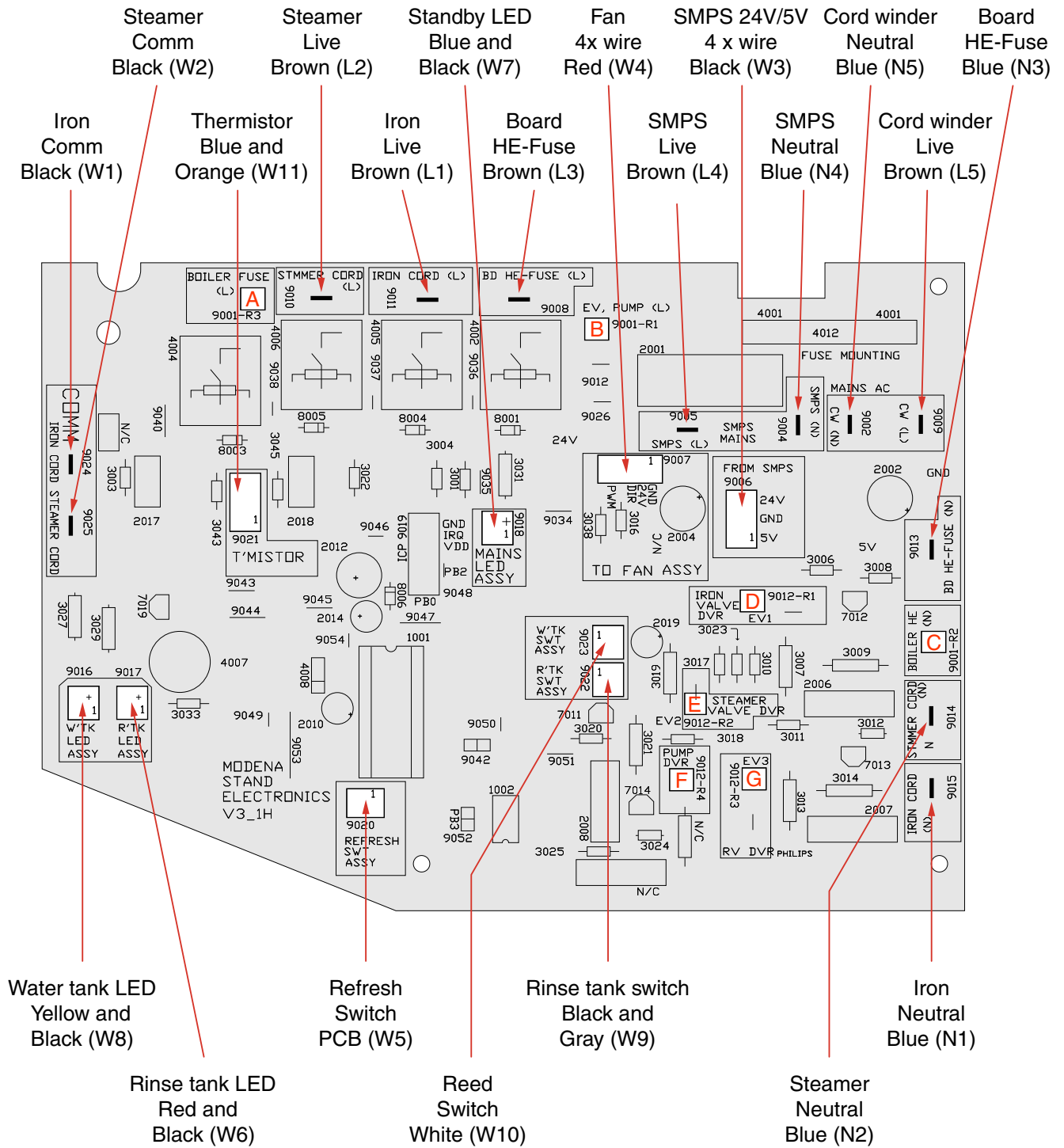
SMPS 36

STAND ELECTRONICS 37

WIRE ASSY LED - STANDBY 39

WIRE ASSY LED - WATER TANK 41

- Remove screw S1
- Remove screws T1, T2, T9, T10
- Disassemble PANEL LEFT ASSY 24
- Disconnect quick-connector W7 on STAND ELECTRONICS 37
- Remove LED cover
- Disassemble WIRE ASSY LED - STANDBY 39
- Disconnect quick-connector W8 on STAND ELECTRONICS 37
- Disassemble WIRE ASSY LED - WATER TANK 41
- Remove screw U
- Disconnect quick-connectors L4, N4 & 4-pole cable W3 on STAND ELECTRONICS 37
- Disassemble SMPS 36
- Remove screw V
- Disconnect all connectors on STAND ELECTRONICS 37
- Disassemble STAND ELECTRONICS 37



NOTE : ABC (brown, red, and blue) is a 3 pole connector to connect to boiler side. (W12)
 DEFG (white, blue, yellow and black) is a 4 pole conn to connect to boiler side (W13)

PANEL RIGHT ASSY 25

REED SWITCH ASSY 29

IRON SLIDING TRAY ASSY 30

STEAMER ASSY 47

- Remove screw S2
- Remove screws T3, T4, T11, T12
- Disassemble PANEL RIGHT ASSY 25
- Disconnect quick-connector W10 on STAND ELECTRONICS 37
- Disassemble REED SWITCH ASSY 29
- Release catch at bottom of IRON SLIDING TRAY ASSY 30
- Pull out completely IRON SLIDING TRAY ASSY 30
- Remove T5, T6, T7, T8
- Disassemble Boiler compartment
- Disconnect steam hose of HOSE CORD STEAMER 48 on EV1
- Disconnect steamer Earth & quick-connectors L2, N2, W2 on STAND ELECTRONICS 37
- Disassemble STEAMER ASSY 47

IRON ASSY 43

HOSE CORD IRON 46

- Remove screw W
- Disassemble Backplate
- Disconnect quick-connectors of HOSE CORD IRON 46 at iron rear
- Disassemble IRON ASSY 43

SOLEPLATE ASSY 44

IRON ELECTRONICS 45

- Disassemble Inlay
- Remove screws X1 - X3
- Disassemble IRON ELECTRONICS 45
- Remove screws Y1 - Y3
- Disassemble Housing
- Remove screws Z1 - Z3
- Disassemble Cover
- Disassemble SOLEPLATE ASSY 44

PANEL FRONT BOTTOM 26

WIRE ASSY LED - RINSE TANK 40

WIRE ASSY RINSE TANK SWITCH 42

CHASSIS BOILER ASSY 49

PUMP ASSY 50

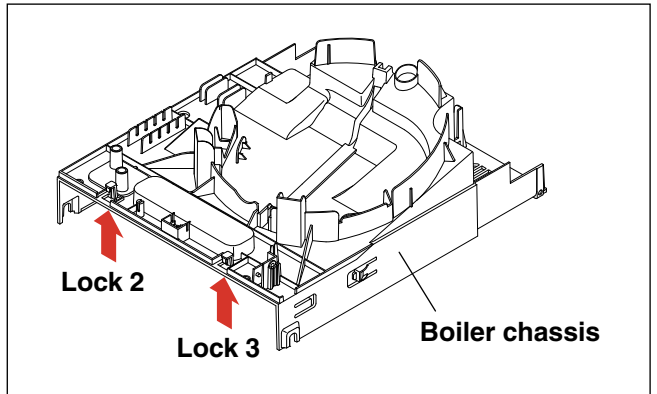
ELECTROVALVE 51

- Remove RINSE TANK ASSY 35
- Disassemble PANEL FRONT BOTTOM

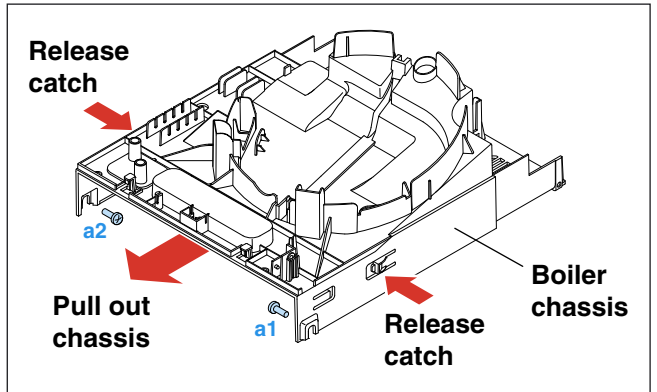
Disassembly tip:

Release 2x catches at the bottom of boiler chassis by inserting 2x screws (M4x8) into the holes located at Loc 2 & Loc 3

Refer following diagram.



- Disconnect 3-pole cable W12 and 4-pole cable W13
- Disconnect boiler Earth, W6, W9, W11
- Disconnect steam hoses & connections on ELECTROVALVE 51 (EV1, EV2, EV3)
- Disconnect De-air tube, Inlet tube, Safety cap
- Remove Screws a1 & a2
- Release 2x catches at the Boiler chassis



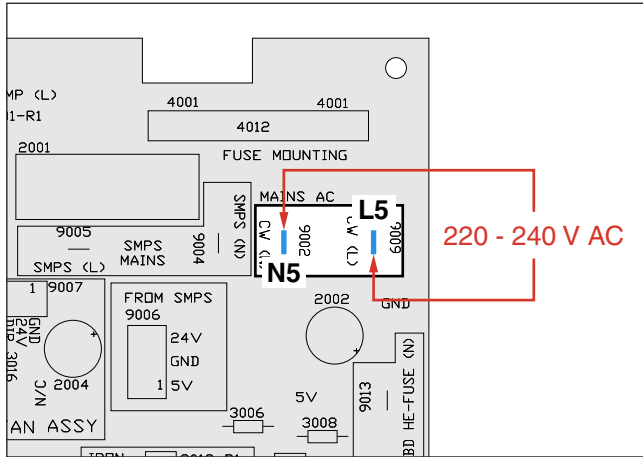
- Pull out CHASSIS BOILER ASSY 49
- Disassemble WIRE ASSY LED - RINSE TANK 40
- Disassemble WIRE ASSY RINSE TANK SWITCH 42
- Disassemble PUMP ASSY 50
- Disassemble ELECTROVALVE 51

REPAIR INSTRUCTIONS

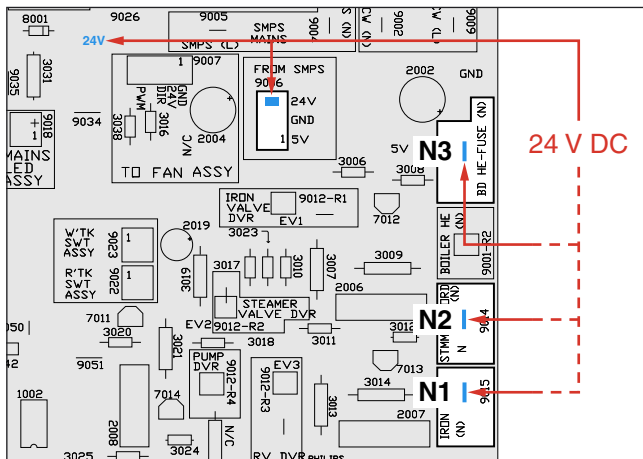
GC9920

1. Due to the high wattage of the product, only the specified cordset must be used.
2. When replacing the ELECTROVALVE 51, please be reminded to apply loctite at the joints for good sealing.
3. After the product is repaired, it should function properly & must meet the safety requirements & legal regulations as laid down & officially established at this moment.
4. Basic checks for the STAND ELECTRONICS 37 as follows:

4.1 Check for incoming AC voltage measured at L5 and N5 (220 - 240 V AC)

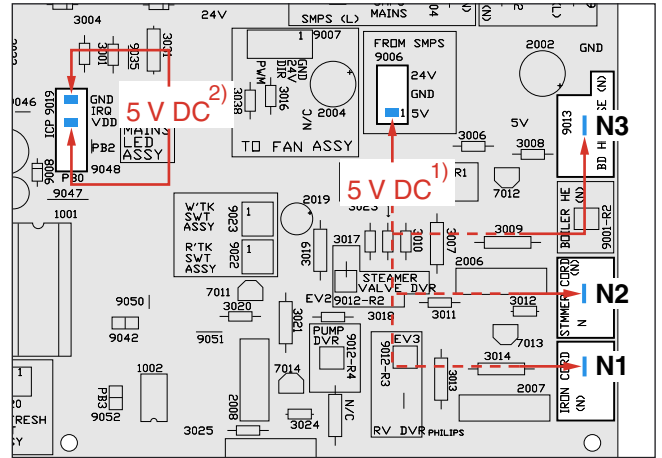


4.2 Check for output of 24 V DC and 5 V DC from switch mode power supply.
To check 24 V DC : Probe at 24 V test point and N1/N2/N3.



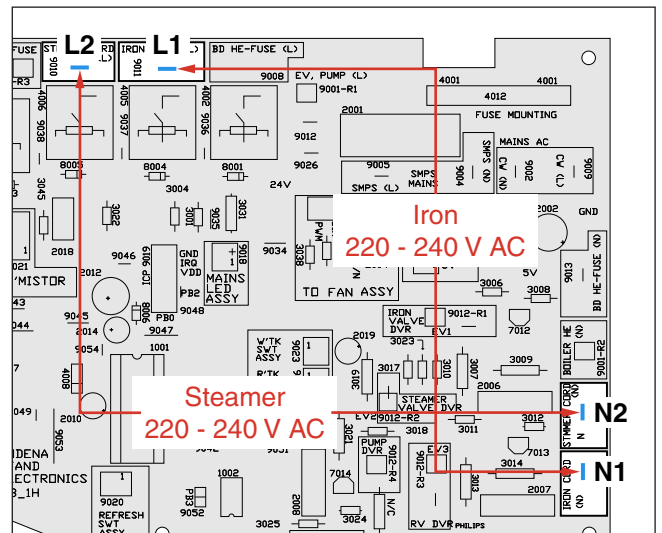
To check 5 V DC :

- 1) Probe at 5 V test point and N1/N2/N3. or
- 2) Probe at connector 9019 between VDD and GND



4.3 Check for AC power supply to Iron unit between L1 and N1 (220 - 240 V AC)

4.4 Check for AC power supply to Steamer unit between L2 and N2 (220 - 240 V AC)



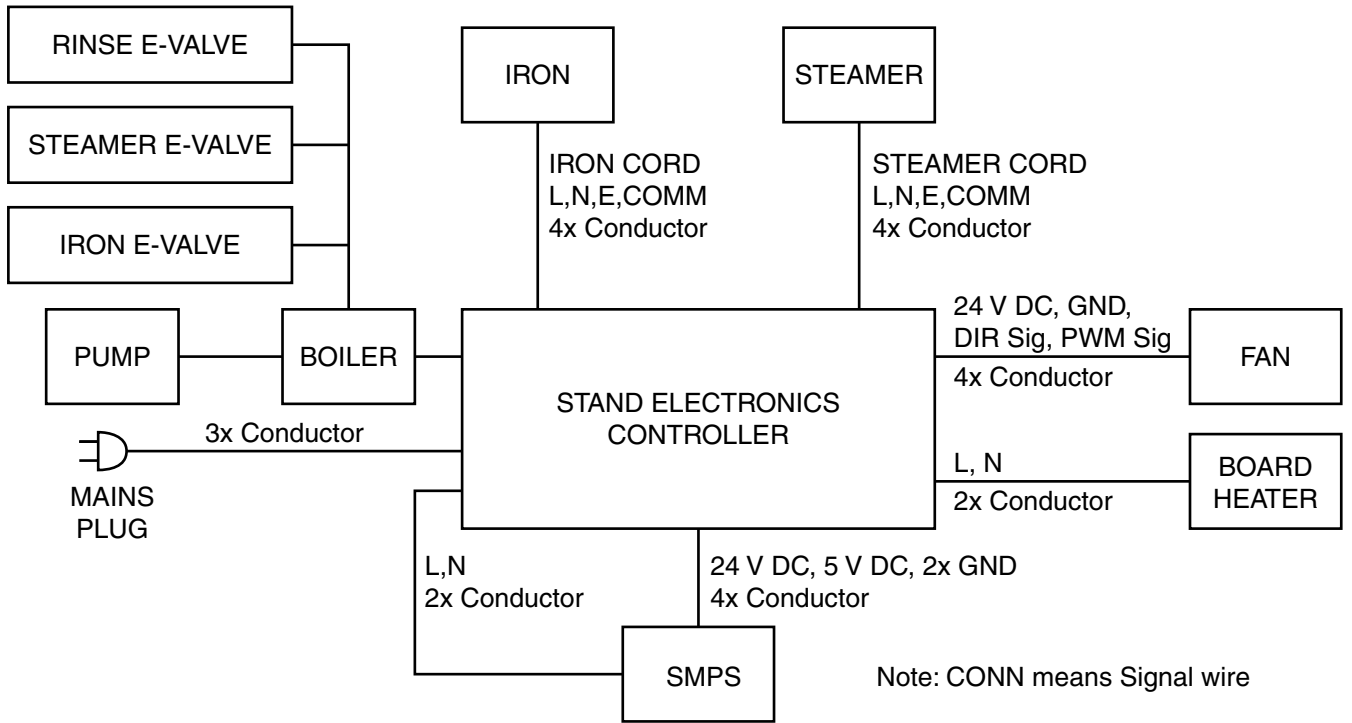
5.1 The calc clean process will automatically activate after 3.5 hrs of steaming. In terms of product usage time, it would depend on how often the consumer uses steam when he/she uses the product.

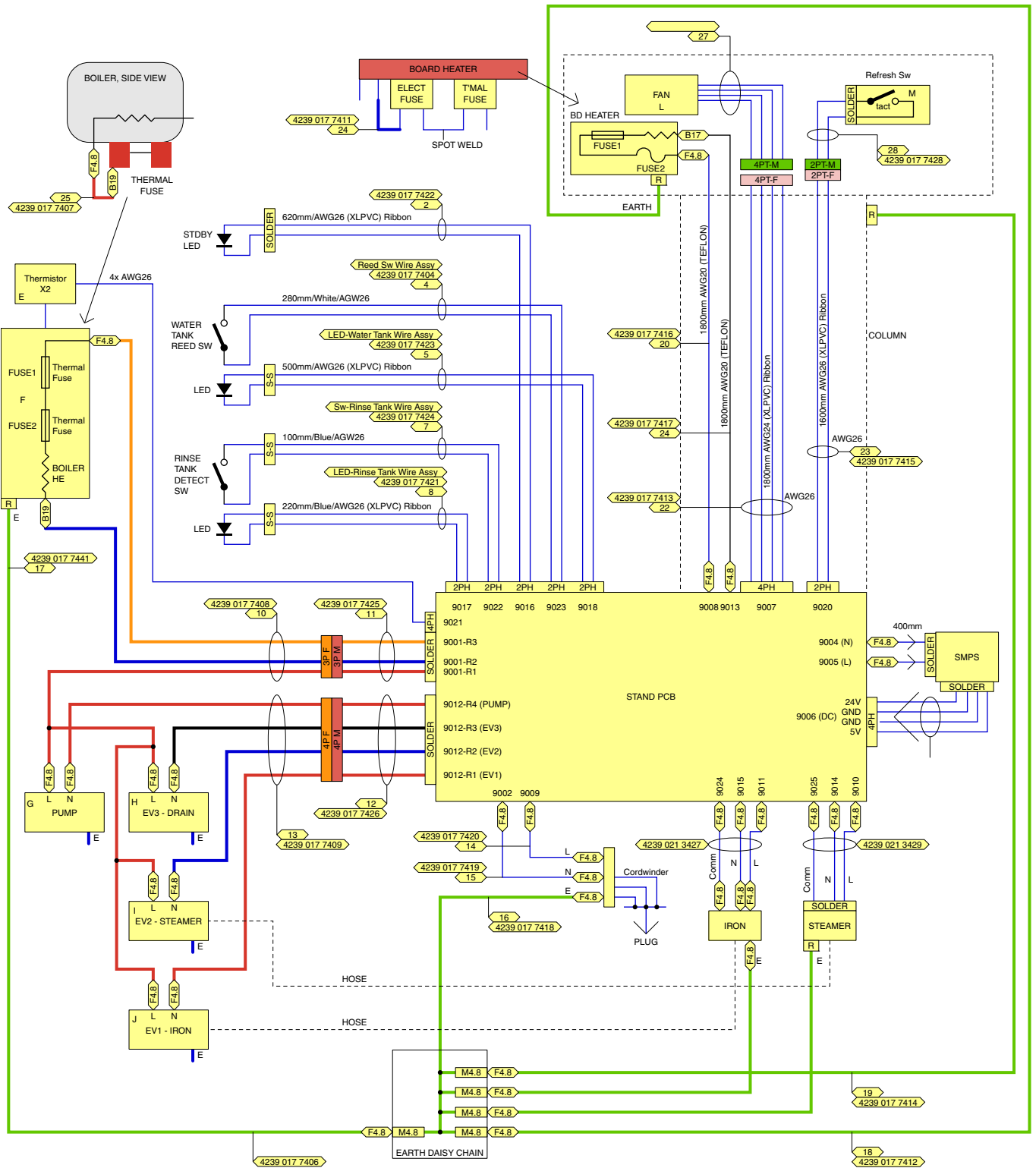
- 5.2 It is possible for service center to manually activate Auto Calc Clean process before time is due. The steps involved are as follows:
- Unplug cordset from mains socket.
 - Allow boiler to cool down. (Boiler temperature must be < 50 Deg C for auto calc clean to take place)
 - Press & hold refresh button when plugging into the mains socket.
 - Release refresh button when power-on light starts blinking, indicating that calc clean process is active.

Pos	Service code	Description	Pos	Service code	Description
20	4239 016 81880	Boiler strap	39	4239 017 74220	Wire assy LED - Standby
21	4239 026 23090	Back cover top (Grey)	4239 017 75670	Wire assy LED - Standby *	
22	4239 026 23100	Back cover bottom (Dark grey)	40	4239 017 74210	Wire assy LED - Rinse tank
23	4239 021 34230	Steamer door hot foiled	4239 017 11280	Wire assy LED - Rinse tank *	
24	4239 021 33550	Panel left assy	41	4239 017 74230	Wire assy LED - Water tank
	4239 021 56331	Panel left assy *	4239 017 11290	Wire assy LED - Water tank *	
25	4239 021 33560	Panel right assy	42	4239 017 74240	Wire assy rinse tank switch
	4239 021 56341	Panel right assy *	43	4239 020 01160	Iron assy (Purple)
26	4239 026 23080	Panel front bottom (Grey)	4239 020 02471	Iron assy (Purple) *	
	4239 026 38951	Panel front bottom *	4239 020 01600	Iron assy (Blue)	
27	4239 021 33840	Spring lift column assy	4239 020 02561	Iron assy (Blue) *	
28	4239 021 33470	Foot assy	4239 020 02160	Iron assy (Blue) (Hose holder version)	
	4239 021 56301	Foot assy *	44	4239 021 41290	Soleplate assy 230 V / 800 W
29	4239 017 74040	Reed switch assy	45	4239 021 33860	Iron electronics
30	4239 021 33530	Iron sliding tray	4239 021 47990	Iron electronics *	
31	4239 026 22850	Wheel	46	4239 021 34270	Hose cord iron
	4239 026 38931	Wheel Frosted silver *	4239 021 48960	Hose cord iron *	
32	4239 021 34220	Cap wheel painted	4239 021 47920	Hose cord iron (Hose holder version)	
	4239 026 38941	Cap wheel *	47	4239 020 01330	Steamer assy (Purple)
33	4239 016 81890	E-ring ID 10	4239 020 02481	Steamer assy (Purple) *	
34	4239 021 33570	Water tank assy (Purple)	4239 020 01610	Steamer assy (Blue)	
	4239 021 38420	Water tank assy (Blue)	4239 020 02571	Steamer assy (Blue) *	
35	4239 021 33600	Rinse tank assy	48	4239 021 34290	Hose cord steamer
36	4239 021 34370	24 V SMPS (Switch Mode Power Supply)	4239 021 48970	Hose cord steamer *	
	4239 021 48980	24 V SMPS *	49	4239 020 01320	Chassis boiler assy
37	4239 021 34350	Stand electronics	4239 020 02350	Chassis boiler assy *	
	4239 021 48030	Stand electronics *	50	4239 017 09880	Pump service pack
38	4239 021 33520	Auto cord winder (EU)	51	4239 017 09890	Electrovalve
	4239 021 43310	Auto cord winder (EU) *	52	4239 026 22910	Foot pad
	4239 021 43320	Auto cord winder (Swiss)	4239 015 58480	Foot rubber (Black) *	
	4239 021 38380	Auto cord winder (UK/SIN)	53	4239 015 56700	Wheel tread
	4239 021 46950	Auto cord winder (Australia)	4239 015 58440	Wheel tread *	
			54	4239 026 23020	Boiler compartment cover
			56	4239 026 22210	De-air valve
			4239 026 26480	De-air valve *	

Note:

Please order part with "*" when servicing product which has date code \geq wk934.





LEGEND

- 2PH 2P HEADER (JST XHP-2)
- 4PH 4P HEADER (JST XHP-2)
- SOLDER Directly soldered to PCB
- F4.8 Female faston connector 4.8
- B17 Stocko ID1.7 Pin receptable RBB8000R1.7-0.5
- B19 Stocko ID1.9 Pin receptable RBB 7854.001 R1.9
- 4P M 4-pole plug AMP 770275-1 (Male)
- 4P F 4-pole receptable AMP 770274-1 (Female)
- 3P M 3-pole plug AMP 770331-1 (Male)
- 3P F 3-pole receptable AMP 770333-1 (Female)
- 4PT-M JST XARR-01VF connector
- 4PT-F 2-pole SXH-002T-P0.6 terminal (Male)
- 2PT-M 2-pole SXH-002T-P0.6 terminal (Female)
- 2PT-F 2-pole SXH-002T-P0.6 terminal (Female)
- R M4.3, Stocko RSB 7206 A4-1 Ring Terminal
- M4.8 Male faston connector 0.8mm thickness
- S-S Directly solder with heat shrink sleeve

