

Service  
Service  
Service



Philips Consumer Lifestyle

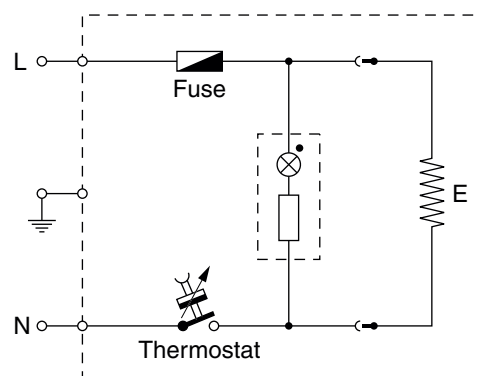
# Service Manual

## PRODUCT INFORMATION

- This product meets the requirements regarding interference suppression on radio and TV.
- After the product has been repaired, it should function properly and has to meet the safety requirements as officially laid down at this moment.

## TECHNICAL INFORMATION

- Voltage : 220 - 240 V
- Frequency : 50 - 60 Hz
- Power consumption : 1900 - 2300 W
- Max temperature setting : 250 °C
- Fuse Cut off temperature : 157 °C
- Colour setting : Metal
- SAP coding : HD4418



## REPAIR INSTRUCTION

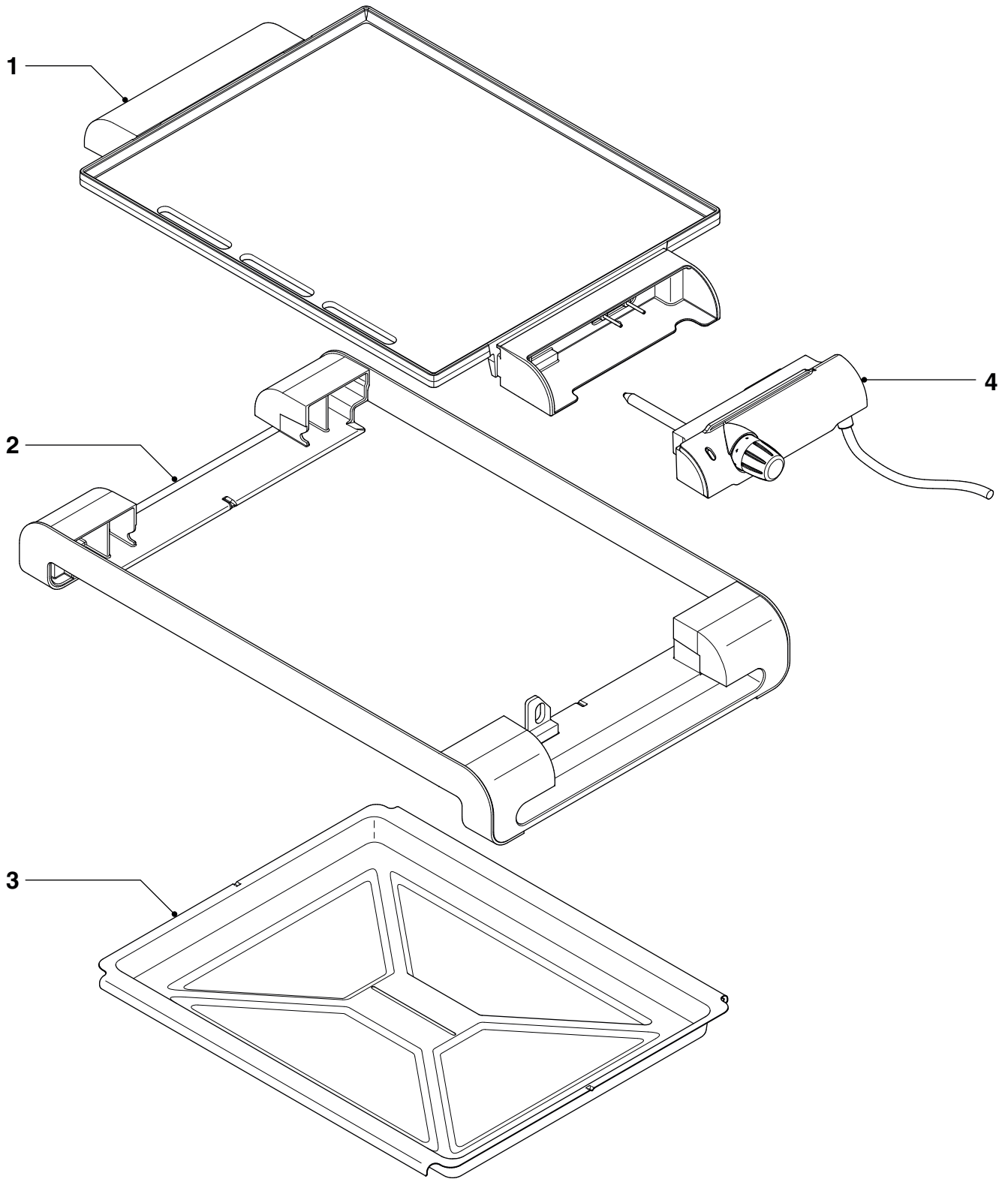
- No specific issues

## ASSEMBLY & DISASSEMBLY ADVICE

- No specific issues

## OPTIONAL (accessories)

- No specific issues



Pos	Service code	Description
1	4222 459 45470	Grillplate assy
2	4222 459 45469	Frame assy
3	4222 459 45471	Drip tray
4	4222 459 45468	Thermostat assy

= changed