

Service  
Service  
Service



Philips Consumer Lifestyle

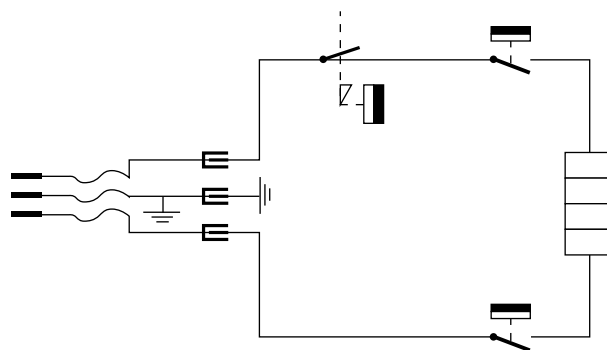
# Service Manual

## PRODUCT INFORMATION

- Product meets the requirements regarding interference suppression on radio and television.
- After the product has been repaired, it should function properly and has to meet the safety requirements as laid down officially established at this moment.

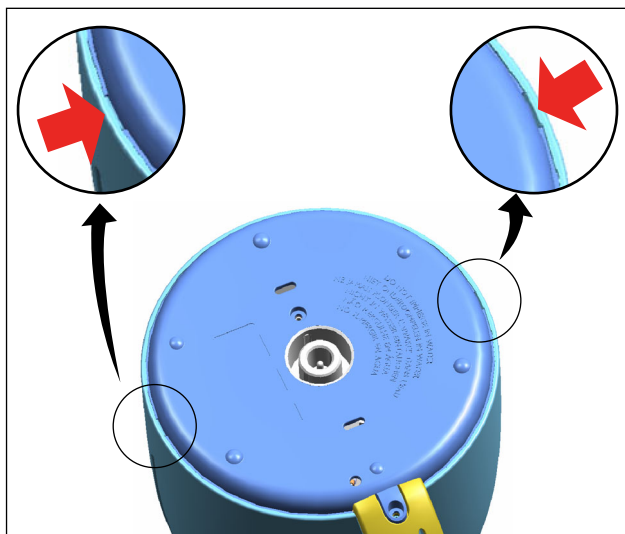
## TECHNICAL INFORMATION

- Voltage : 220 - 240 V
- Frequency : 50 - 60 Hz
- Power consumption : 2000 - 2400 W
- Contents Kettle : 500 - 1500 cc
- Colour setting : Black/Silver
- SAP coding : HD4646/20

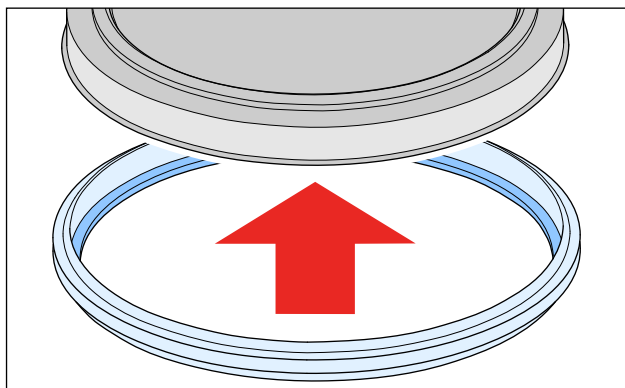


## DISASSEMBLY- AND RE-ASSEMBLY ADVISE

- **After removing the 3 screws from the Body Lower**, the two fixing snaps can be released from the main body using a screw driver in the lead-ins provided.



- **Disassembly Heater assy**  
Disconnect the wires that are connected to the heater assy. Open the lid and gently push (force maybe needed) on the inside of the heater. The heater and Gasket will move out of the Kettle body. Remove the Gasket from the heater.
- **Re-assembly the heater assy**  
Place the gasket on the heater assy. (see picture for placement details.)



Make the outside of the gasket and the inside of the Kettle housing where the gasket will be placed wet with plain water.

Gently push the heater assy with gasket equable in the Kettle body.

While pushing inwards check if the gasket keeps well around the heater assy.

The heater assy and gasket has to be pushed over the ridge. Check visual if the gasket is correct placed.

By filling the kettle with plain water and leave it for half an hour, you can check if the gasket properly sealed the Kettle.

Connect the wires again.

Fix the base again.

Check the functions of the Kettle.

## REPAIR INSTRUCTION

- **Electrical circuit**  
When the appliance does not work, check the electrical Circuit.
- **De-scaling**  
Fill the kettle with water up to three-quarters of the maximum level indication and press the on/off switch. After the kettle has switched itself off, add white vinegar (8% acetic acid) or an appropriate descaler up to the maximum level indication. Leave the solution in the kettle overnight. Empty the kettle and rinse the inside thoroughly. Repeat this procedure if there is still some scale left in the kettle.
- **Cleaning filter**  
Clean the filter by rinsing it under a running tap. If necessary, you can use a soft nylon brush. The scale filter can also be cleaned in the dishwasher or clean the filter by de-scaling it in the same way as the kettle. Let the filter soak in a cup of warm water with some white vinegar or an appropriate descaler. Take the filter out of the cup and rinse it thoroughly

## OPTIONAL (accessories)

- No specific issues.

## PARTS LIST

Pos	Service code	Description	
1	4822 214 12411	Z5 control	
2	4822 441 80831	Foot	
3	4822 532 21517	CS4 connector	
4	4213 247 48770	Base lower	
5	9965 000 34152	Lid latch	Silver
6	9965 000 34153	Lid	Black
7	9965 000 34149	Filter	Bright white
8	9965 000 34150	Element seal	

**EXPLODED VIEW**

**HD4646/20**

