

Service  
Service  
**Service**



**Philips Domestic Appliances and Personal Care**

# Service Manual

**PRODUCT INFORMATION**

- This product meets the requirements regarding interference suppression on radio and TV.
- After the product has been repaired, it should function properly and has to meet the safety requirements as officially laid down at this moment.

**TECHNICAL INFORMATION**

- Voltage : 120 V, 220 - 240 V
- Frequency : 50 - 60 Hz
- Power consumption : 1250 W, 2000 W
- Contents Oil : 2000 cc
- Color setting : White with Red accents
- Adjustable Thermostat : 150 - 190 °C
- Fuse cut-off temp. : 216 °C
- SAP coding : HD6101/40

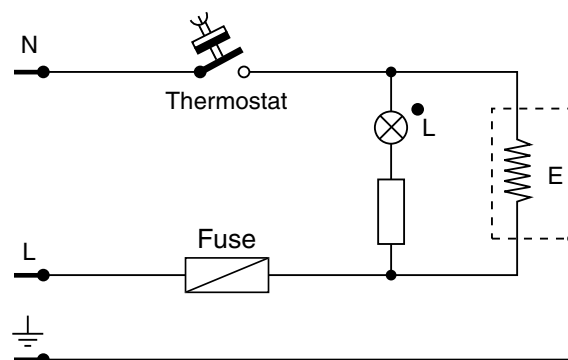
**DISASSEMBLY- AND RE-ASSEMBLY ADVISE**

- No specific issues

**REPAIR INSTRUCTION**

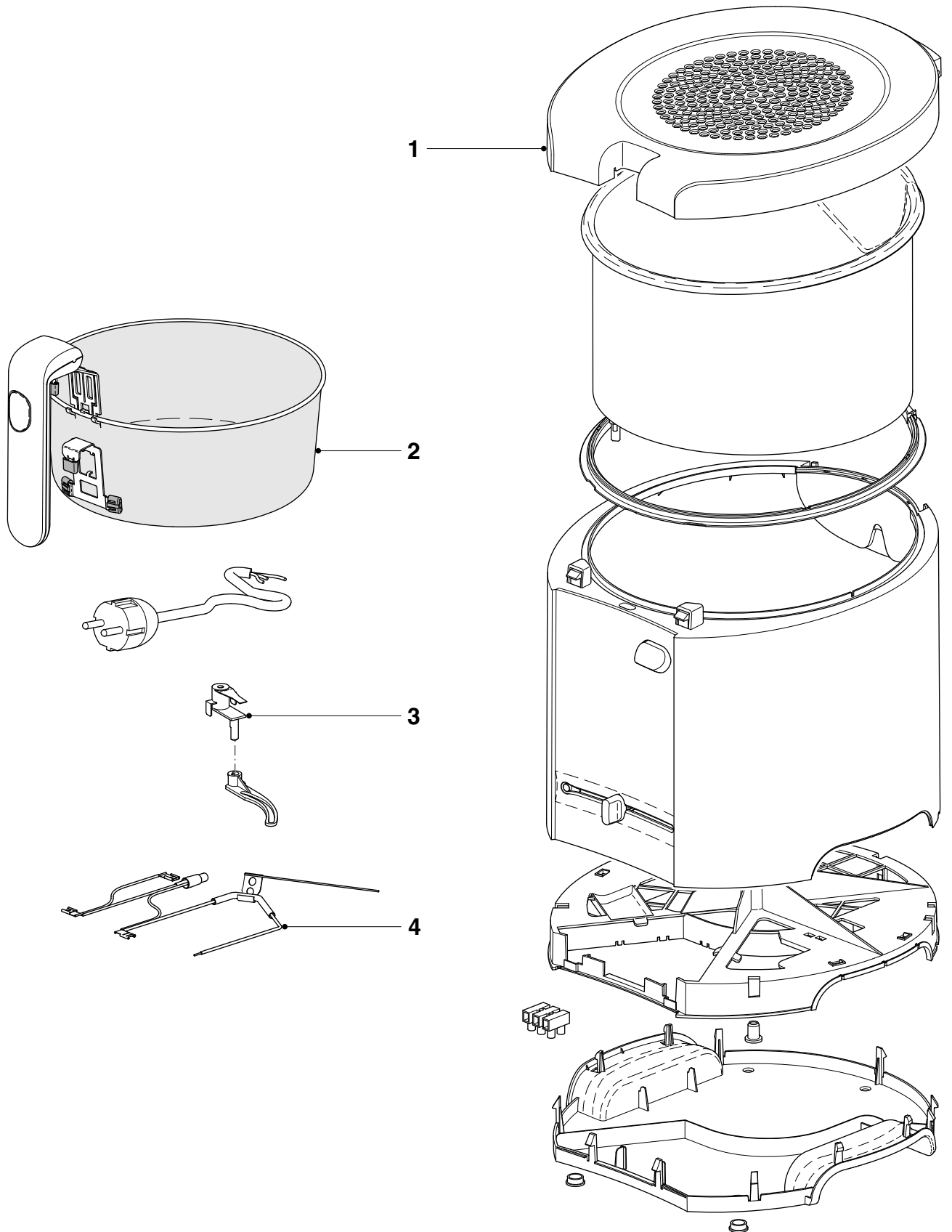
- **Electrical circuit**

When the appliance does not work, check the electrical circuit.



**OPTIONAL (accessories)**

- No specific issues



Pos	Service code	Description
1	4222 459 45288	Complete Lid, white
2	4222 459 45289	Complete basket (collapsible) White / Red
3	9965 000 33884	Thermostat
4	9965 000 44046	Fuse assy