

Service  
Service  
Service



Philips Consumer Lifestyle

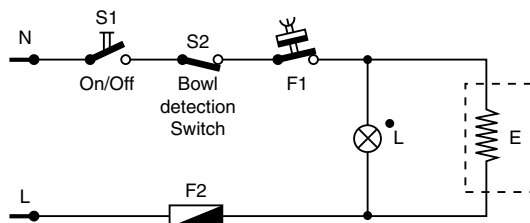
# Service Manual

### PRODUCT INFORMATION

- This product meets the requirements regarding interference suppression on radio and TV.
- After the product has been repaired, it should function properly and has to meet the safety requirements as officially laid down at this moment.

### TECHNICAL INFORMATION

- Voltage : 220 - 240 V
- Frequency : 50 - 60 Hz
- Power consumption : 2000 W
- Contents Oil : 2500 cc
- Coloursetting : White / Sunset orange
- Removable filter
- Adjustable temp. control : 150 - 190 °C
- Fuse switch-off temp : 192 °C
- SAP coding : HD6118/55

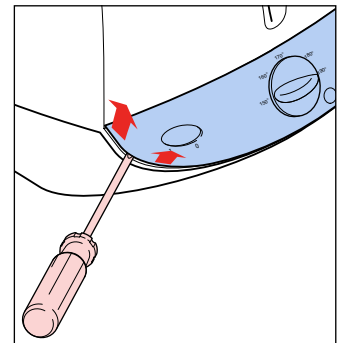


### DISASSEMBLY- AND RE-ASSEMBLY ADVISE

#### Base removal:

To remove base do the following:

- Remove rubber foot (2x)
- Remove control front plate with small screwdriver
- Now remove screws.



### REPAIR INSTRUCTION

#### Electrical circuit

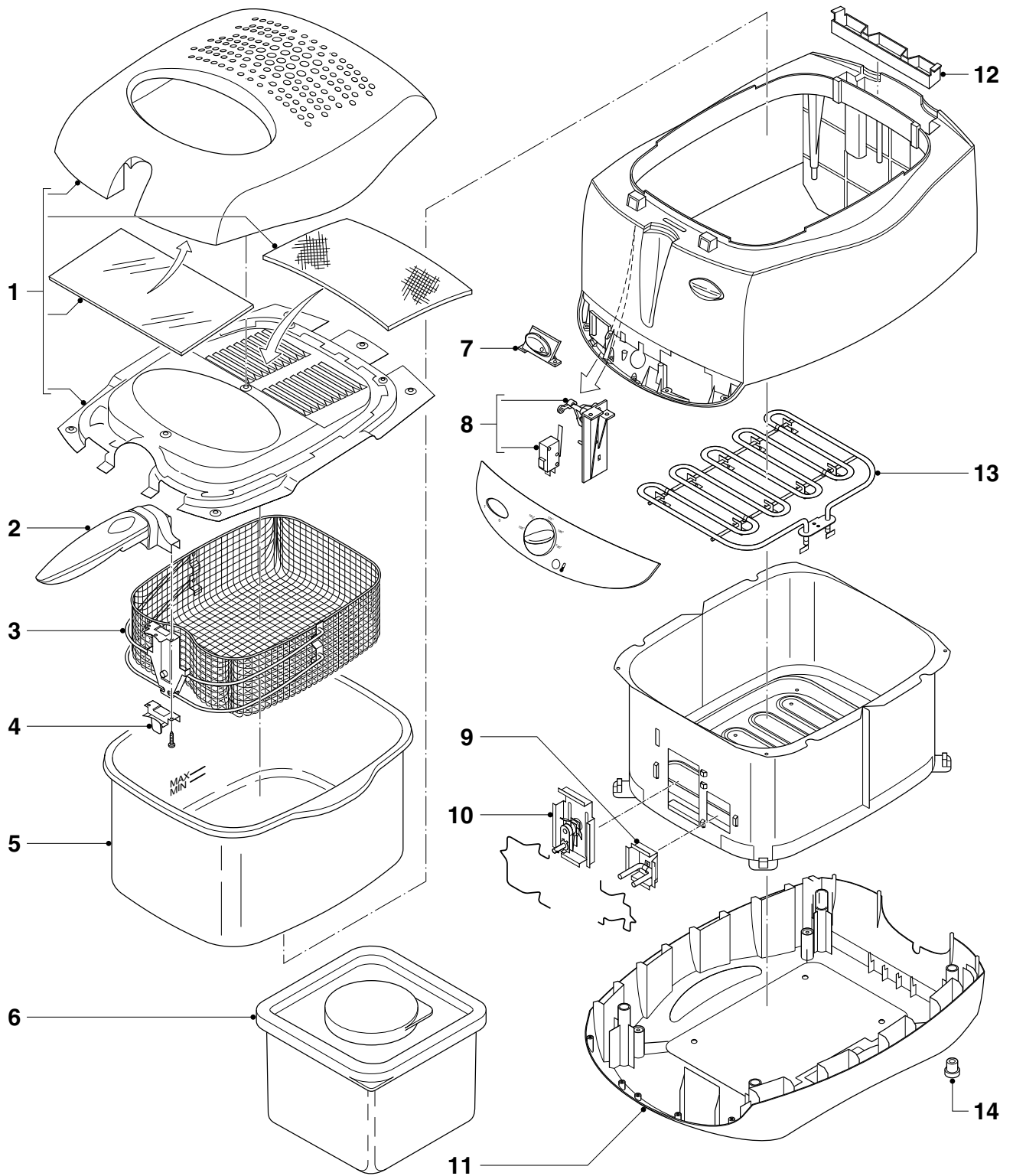
- When the appliance does not work, check the electrical circuit.
- Be aware of the micro switch that detects if the bowl is right placed!

#### OPTIONAL (accessories)

- For oil filtering it is possible to order separate a oil container.  
**Commercial number is HD6901, service number 9965 000 26135, see item 7 in the exploded view.**

EXPLODED VIEW & PARTS LIST

HD6118/55



Pos	Service code	Description
1	4222 459 45230	Complete Lid
2	<b>4222 459 54751</b>	Basket handle assy
3	9965 000 26134	Basket assy
4	9965 000 12034	Lower pivot block
5	9965 000 12020	Bowl
6	9965 000 26135	Oil filtration bowl
7	4222 459 45227	Switch assy on/off

Pos	Service code	Description
8	9965 000 12027	Activator assy
9	9965 000 12023	Fuse assy
10	9965 000 12024	Thermostat assy
11	9965 000 26137	Base assy, white
12	4222 459 45228	Oil tray
13	9965 000 12021	Heating element
14	9965 000 12032	Rubber foot

**■** = changed