

Service
Service
Service



Philips Domestic Appliances and Personal Care

Service Manual

PRODUCT INFORMATION

- This product meets the requirements regarding interference suppression on radio and TV.
- After the product has been repaired, it should function properly and has to meet the safety requirements as officially laid down at this moment.

TECHNICAL INFORMATION

- Voltage : 220 - 240 V
- Frequency : 50 - 60 Hz
- Power consumption : 2200 W
- Contents Oil : 3500 cc
- Colour : Metal / black
- Electronic adjustable temperature control : 140 - 190 °C
- Fuse F1 switch-off temp : 216 °C
- SAP coding : HD6161

DISASSEMBLY- AND RE-ASSEMBLY ADVISE

- No specific issues

OPTIONAL (accessories)

- No specific issues

REPAIR INSTRUCTIONS

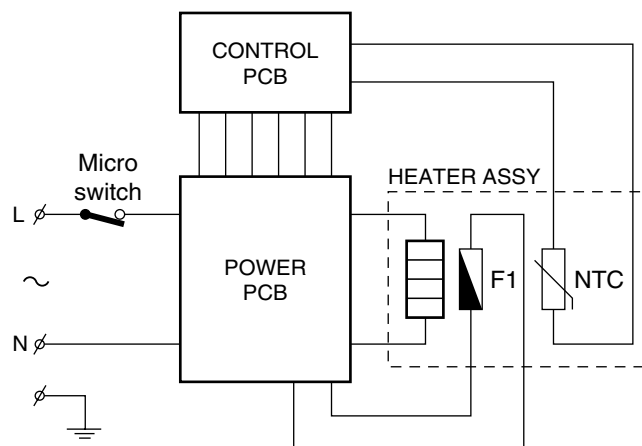
- Electrical circuit

When the appliance does not work, check the electrical circuit. Be aware of the micro switch that detects if the control panel is correct placed!

If the Fuse F1 has blown/tripped, the whole heater assy has to be replaced.

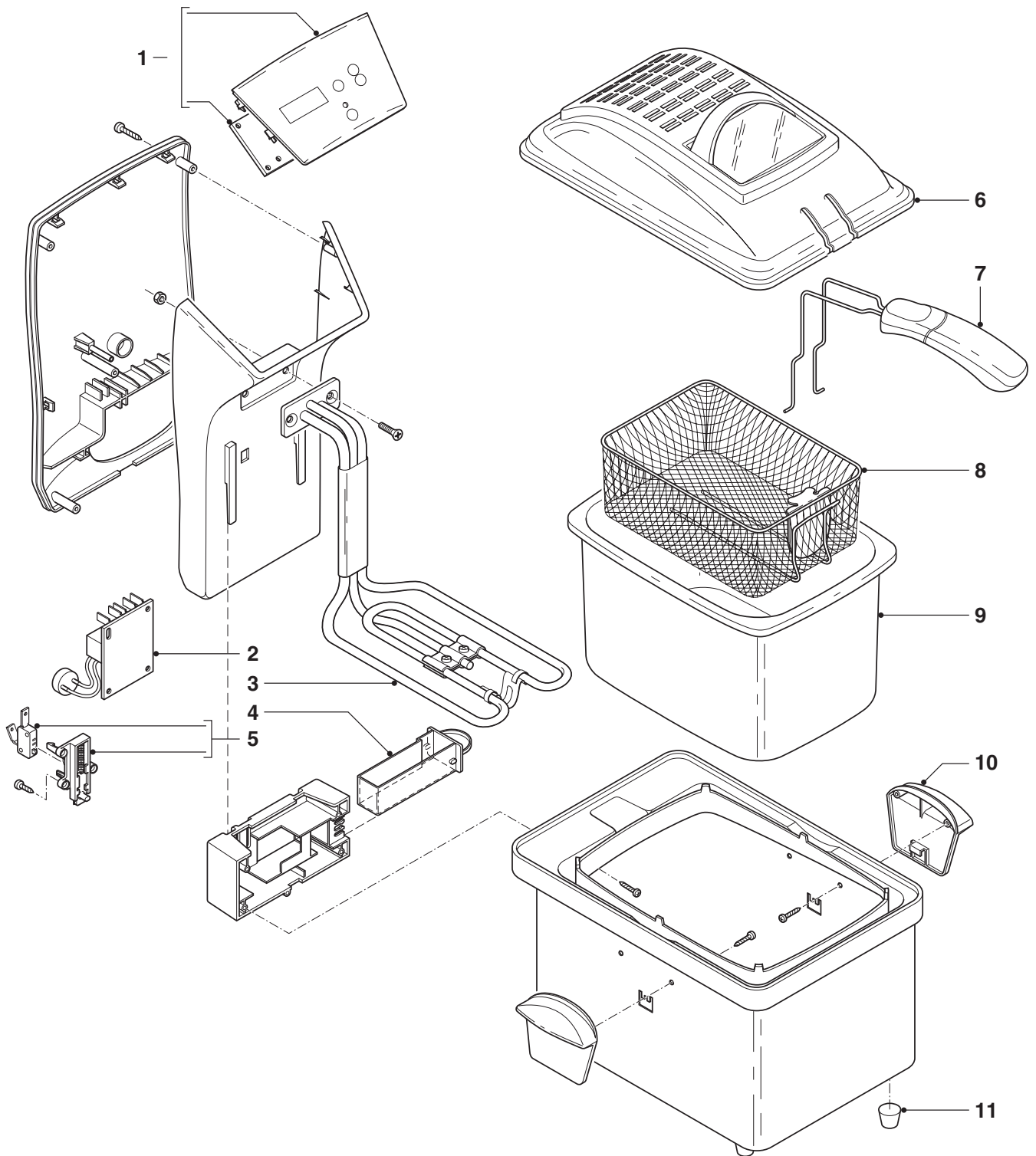
- The below error messages will be visible on the display if they are detected by the system.

Error 2	Thermofuse error (burnt/ not connected)
Error 3	Overheat (too hot, not enough oil, dry heating)
Error 4	Thermistor error (open/ not connected)



PARTS LIST & EXPLODED VIEW

HD6161



Pos	Service code	Description
1*	9965 000 23520	Control Panel Cover “old revision 8 pins” used in Fryers till WK445
1a*	9965 000 29226	Control Panel Cover “new revision 6 pins” used in Fryers WK445 onwards
2*	9965 000 23521	Power PCB board assy “old revision 8 pins” used in Fryers till WK445
2a*	9965 000 29227	Power PCB board assy “new revision 6 pins” used in Fryers WK445 onwards
3	9965 000 23522	Heater + sensor assy

Pos	Service code	Description
4	9965 000 23523	Condensation container
5	9965 000 23524	Microswitch assembly
6	9965 000 23525	Complete Lid
7	9965 000 23526	Basket Handle
8	9965 000 23527	Basket
9	9965 000 23528	Bowl
10	9965 000 23529	Hand grip
11	9965 000 27792	Foot

* The “old revisions 8 pins boards” are not interchangeable with the “new revisions 6 pins boards”
 This means pos nr 1 and 2 work together 1a and 2a work together.