

Service
Service
Service



Philips Consumer Lifestyle

Service Manual

PRODUCT INFORMATION

- Temperature light
- Non-slip feet
- Grease tray
- Reversible grill plate
- This product meets the requirements regarding interference suppression on radio and TV.
- After the product has been repaired, it should function properly and has to meet the safety requirements as officially laid down at this moment.

DISASSEMBLY- AND RE-ASSEMBLY ADVISE

- No specific issues.

REPAIR INSTRUCTION

- No specific issues.

OPTIONAL (accessories)

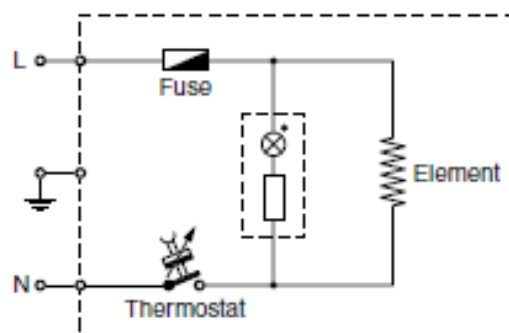
- No specific issues.

TECHNICAL INFORMATION

- Voltage : 220 - 240V
- Frequency : 50 / 60 Hz
- Power consumption : 1500W
- Cord length : 1 m
- Color(s) : Steel / Black
- Materials : Plastic housing
ALU plates
Metal parts
- SAP coding : HD6322/20
HD6322/21

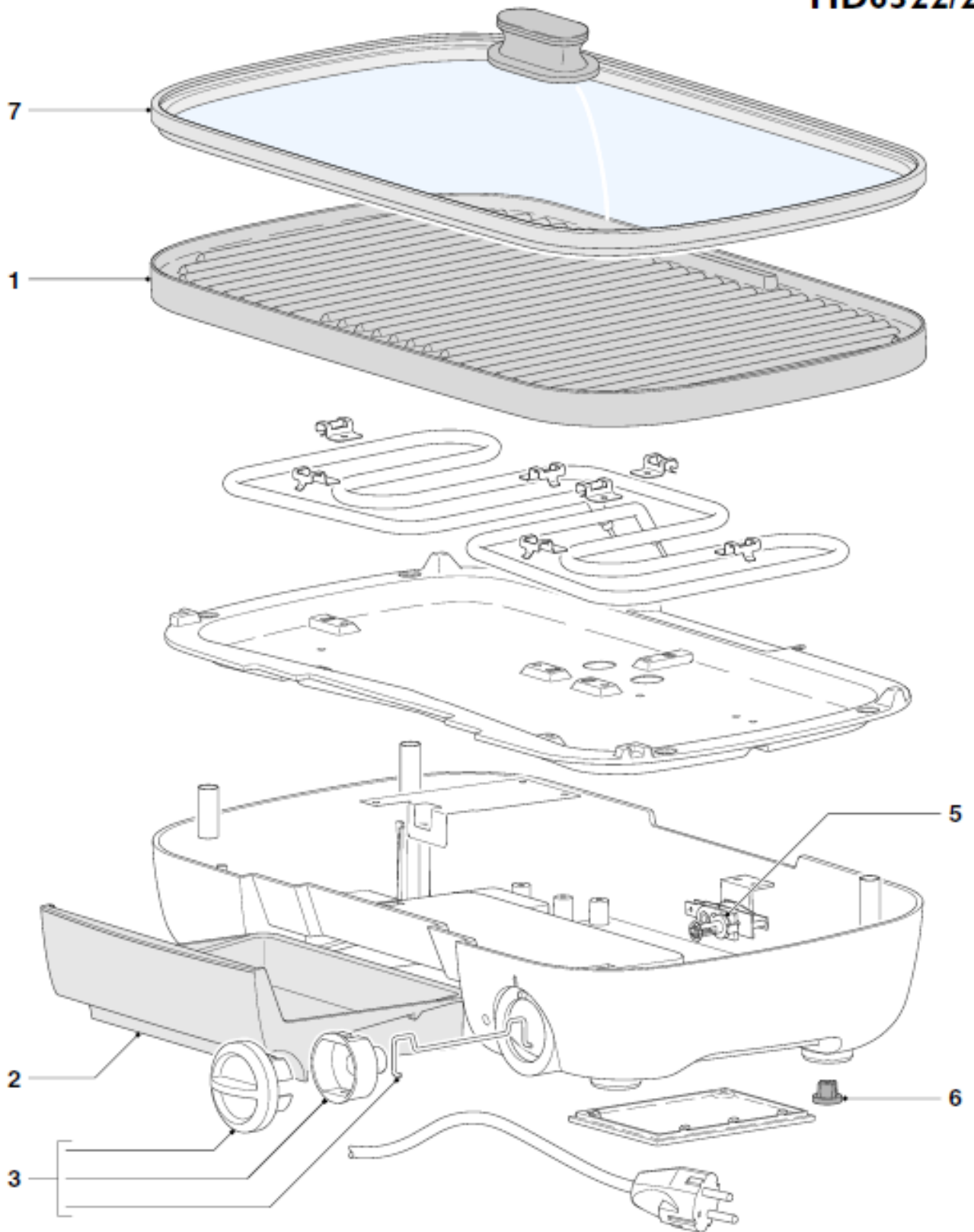
• Weight and dimensions:

- Grill plate dimensions (W x D) : 319 x 223 mm
- Product dimensions (W x H x D) : 405 x 280 x 315 mm
- Weight appliance : 3.9 kg



PARTS LIST & EXPLODED VIEW

**HD6322/20
HD6322/21**



Pos	Service code	Description
1	4203 036 02321	Reversable grill plate
2	4203 036 02331	Grease tray
3	4203 036 02341	Knob assy
4	4203 036 02351	Thermostat 1500 W
5	4203 036 02361	Rubber feet
6	4203 036 02371	Lid assy