



Philips Consumer Lifestyle

Version: A

Service Manual

PRODUCT INFORMATION

- Temperature light
- Non-slip feet
- Grease tray
- Reversible grill plate
- This product meets the requirements regarding interference suppression on radio and TV.
- After the product has been repaired, it should function properly and has to meet the safety requirements as officially laid down at this moment.

DISASSEMBLY AND RE-ASSEMBLY ADVISE

- No specific issues.

REPAIR INSTRUCTION

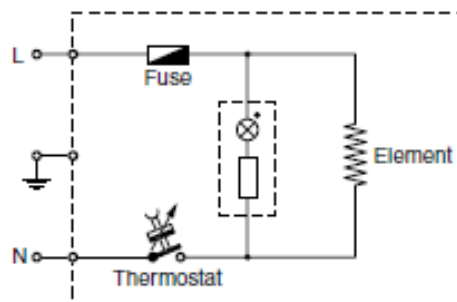
- No specific issues.

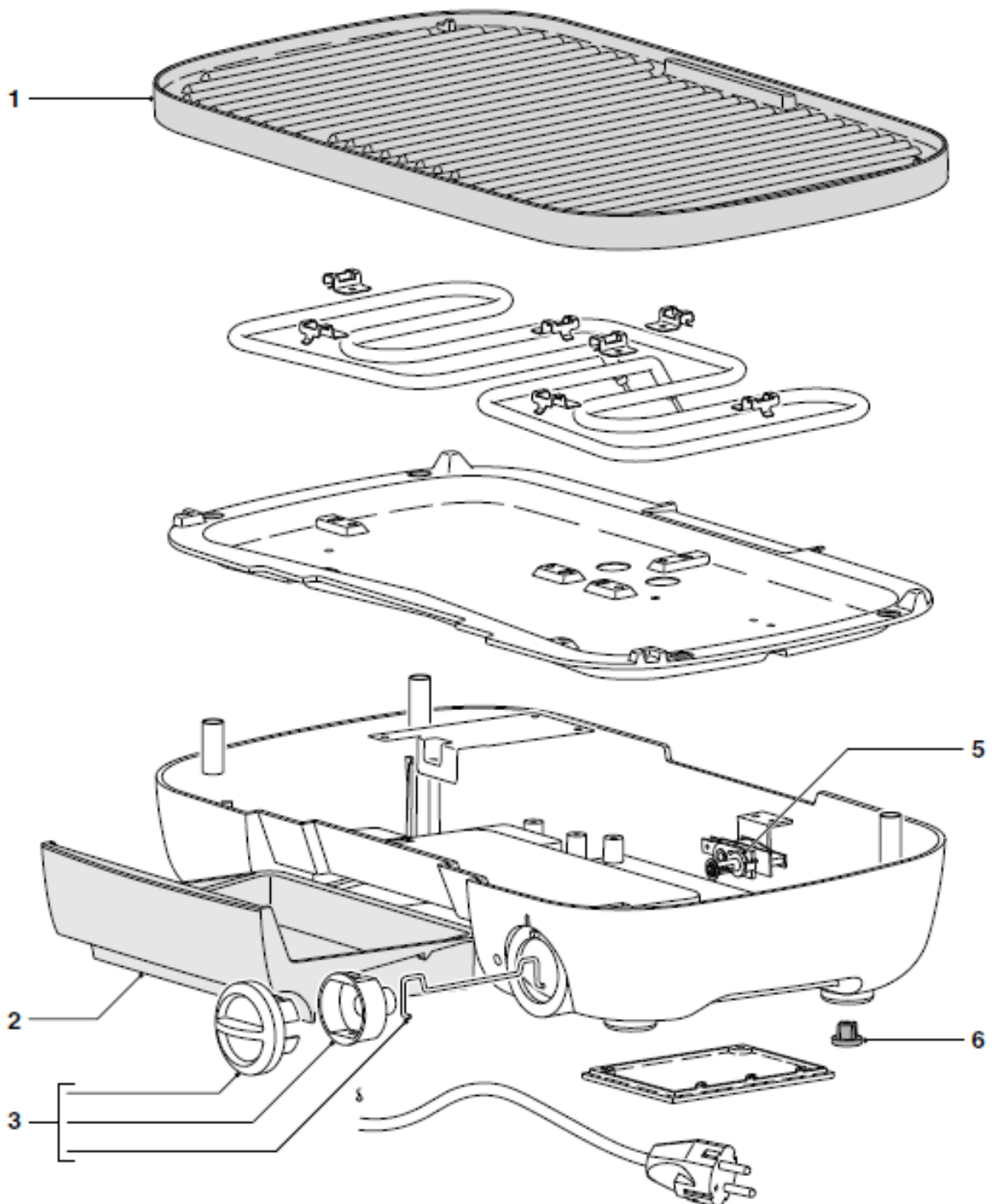
OPTIONAL (accessories)

- No specific issues.

TECHNICAL INFORMATION

- Voltage : 220 - 240 V
- Frequency : 50 / 60 Hz
- Power consumption : 2000 W
- Cord length : 1 m
- Color(s) : Steel / Black
- Materials : Plastic housing
ALU plates
Metal parts
- SAP coding : HD6321/20
- **Weight and dimensions:**
Grill plate dimensions (W x D) : 319 x 223 mm
Product dimensions (W x H x D) : 405 x 280 x 315 mm
Weight appliance : 3.9 kg





Pos	Service code	Description
1	4203 036 02321	Reversible grill plate
2	4203 036 02331	Grease tray
3	4203 036 02341	Knob assy
5	4203 036 02351	Thermostat 1500 W
6	4203 036 02361	Rubber feet