



Philips Consumer Lifestyle

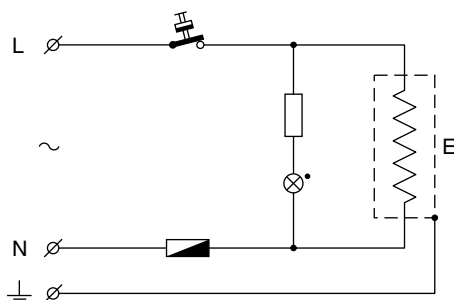
Service Manual

PRODUCT INFORMATION

- This product meets the requirements regarding interference suppression on radio and TV.
- After the product has been repaired, it should function properly and has to meet the safety requirements as officially laid down at this moment.

TECHNICAL INFORMATION

- Voltage : 100V, 220 - 240 V
- Frequency : 50/60 Hz
- Power consumption : 1000 W
- Contents jug : 1200 cc
- Coloursetting : Metal/Black
- Filter size : 1 x 4
- Thermostat switch-off temp : 155 ± 7.5 °C
- Fuse cut-off temp : 216 °C
- Auto shut off
- SAP coding : HD7546/20



DISASSEMBLY- AND RE-ASSEMBLY ADVISE

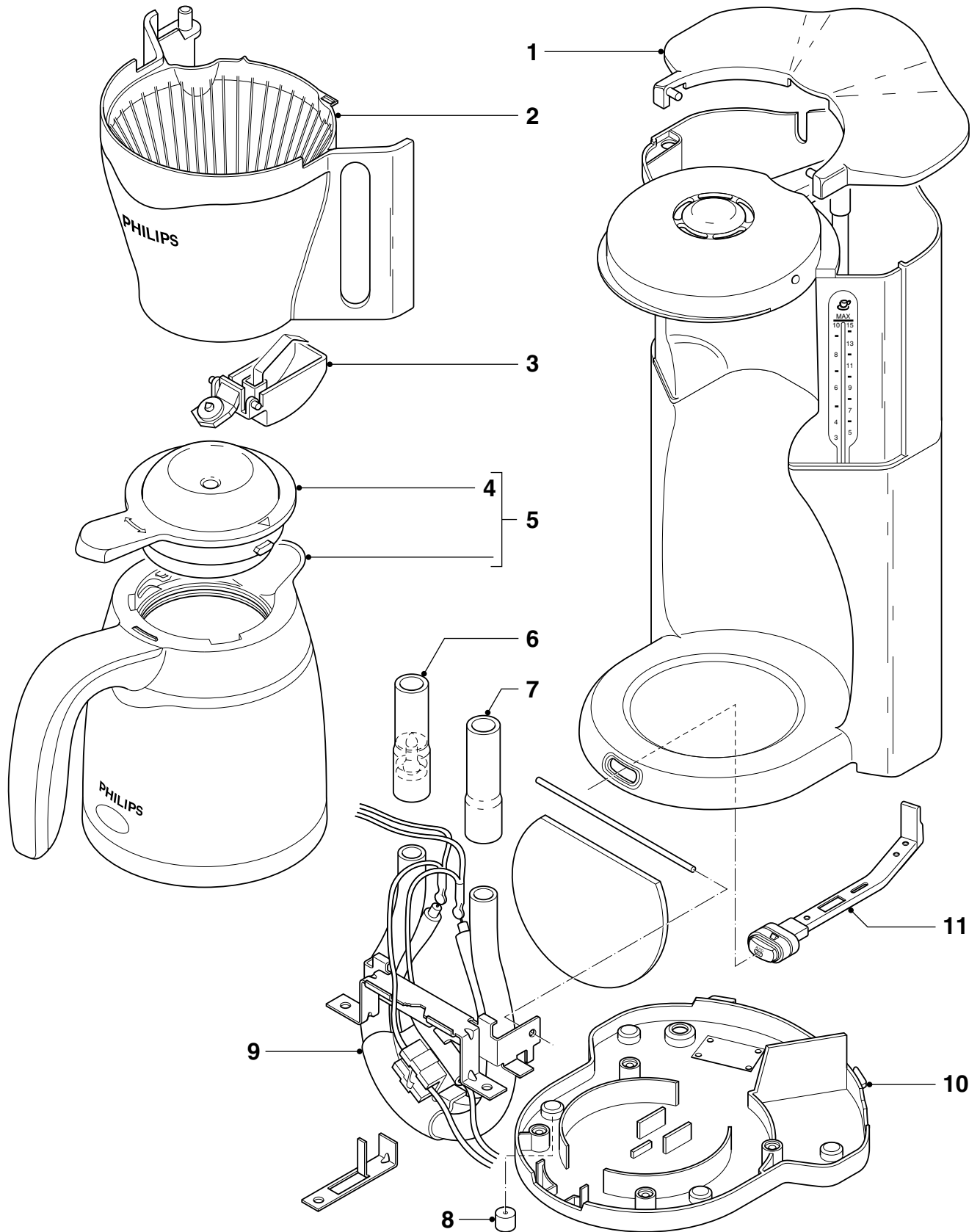
- No specific issues.

REPAIR INSTRUCTION

- **Electrical circuit**
When the appliance does not work, check the electrical circuit. If the thermal fuse or thermostat prove defective, the complete pump unit has to be replaced.
- **De-scaling**
If the water system is nearly or less clogged by scale then operate the coffeemaker a few times with vinegar or with a 10-15% solution of either vinegar-acid, citric acid or tartar acid, into cold tap water. Do not use other de-scaling agents as these may harm the appliance. If this procedure does not restore the function, then switch off the coffeemaker when the acid has passed through during approximately 3 min. Keep the appliance in this condition overnight and continue/repeat the cleaning operation. After the de-scaling procedure, operate the coffeemaker twice with tap water in order to rinse away any residual substances.

OPTIONAL (accessories)

- HD7999/20 (Jug included lid, Black)



Pos	Service code	Description
1	9965 000 32693	Tank lid Black
2	9965 000 32694	Filter assy Black/Metal covered
3	9965 000 32687	Drip stop assy
4	9965 000 32695	Jug lid Black
5	9965 000 32696	Thermos Jug incl. lid Metal
6	9965 000 32690	Valve + Hose piece assy

Pos	Service code	Description
7	9965 000 32691	Hose piece
8	9965 000 32692	Foot
9	9965 000 43199	Pump assy 100 V
	4222 459 45722	Pump assy 220 - 240 V
10	9965 000 43200	Base plate
11	4222 459 45237	Mechanical Switch assy

■ = changed