



Philips Consumer Lifestyle

Service Manual

PRODUCT INFORMATION

- This product meets the requirements regarding interference suppression on radio and TV.
- After the product has been repaired, it should function properly and has to meet the safety requirements as officially laid down at this moment.

TECHNICAL INFORMATION

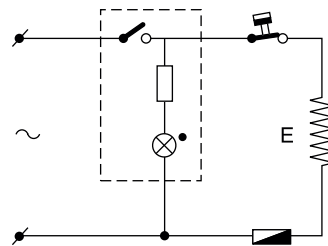
- Voltage : 220 - 240 V
- Frequency : 50 - 60 Hz
- Power consumption : 1100 W
- Contents jug : 1200 cc
- Coloursetting : Metal / Black
- Filter size : 1 x 4
- Thermostat switch-off temp : 140 ± 5 °C
- Fuse cut-off temp : 228 °C

DISASSEMBLY- AND RE-ASSEMBLY ADVISE

- No specific issues

REPAIR INSTRUCTIONS

Electrical circuit



De-scaling

If the water system is nearly or less clogged by scale then operate the coffeemaker a few times with vinegar or with a 10-15% solution of either vinegar-acid, citric acid or tartar acid, into cold tap water.

Do not use other de-scaling agents as these may harm the appliance.

If this procedure does not restore the function, then switch off the coffeemaker when the acid has passed through during approximately 3 min. Keep the appliance in this condition overnight and continue/repeat the cleaning operation.

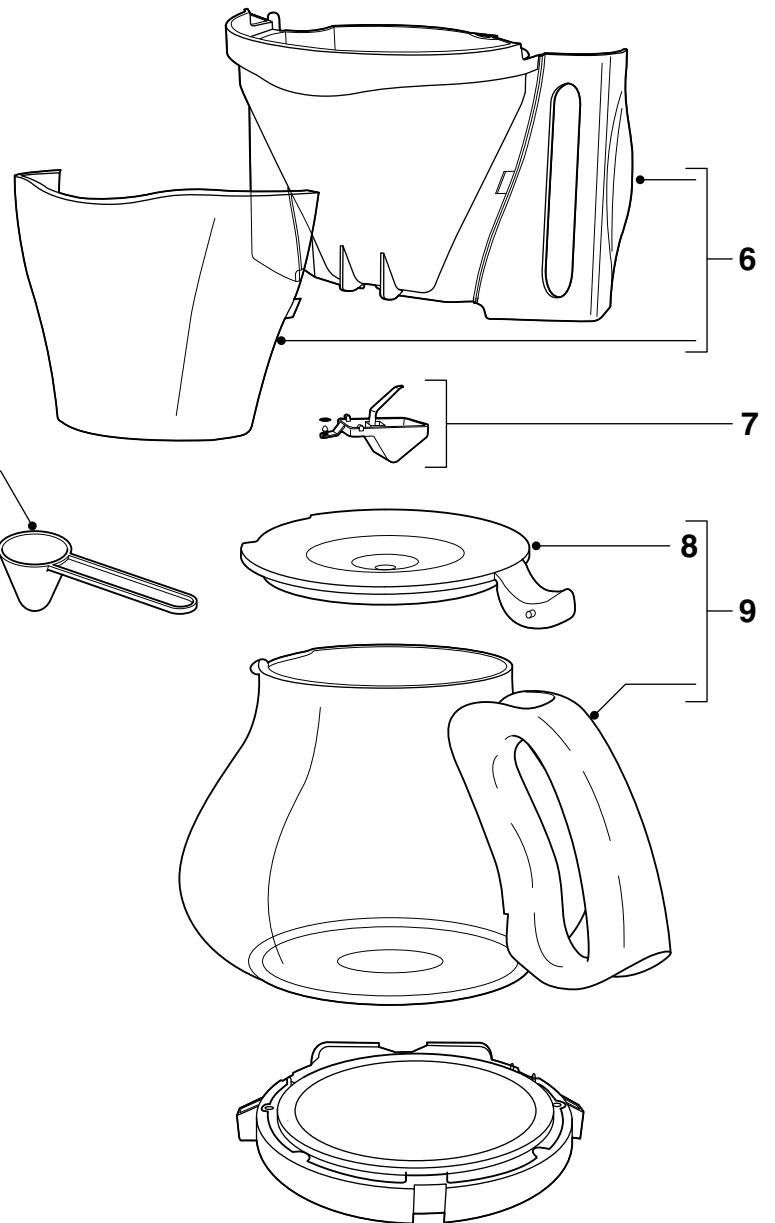
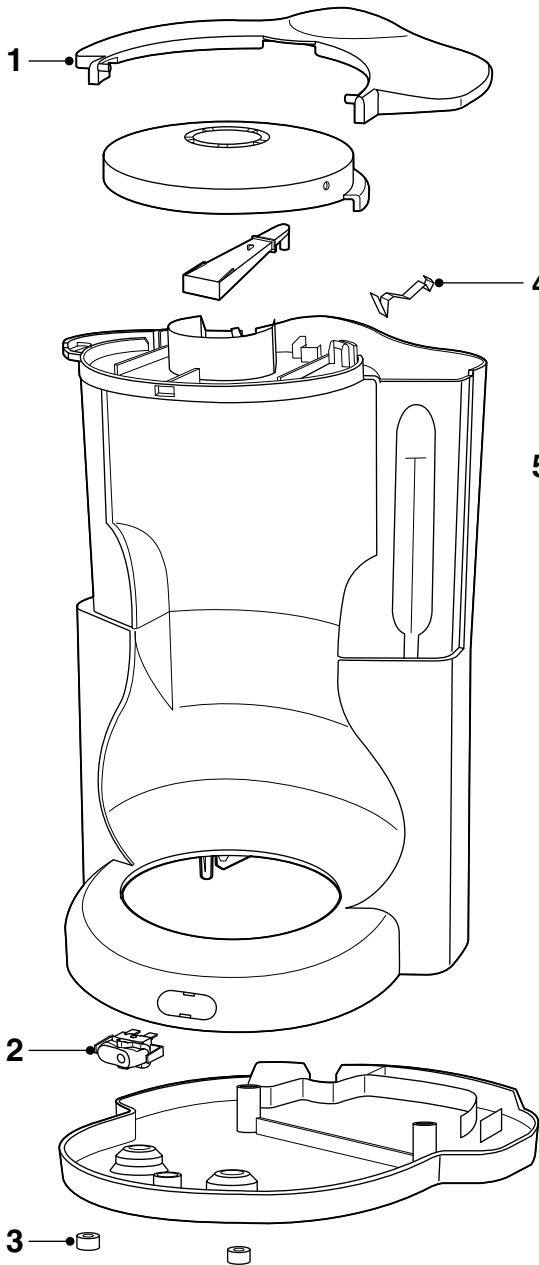
After the de-scaling procedure, operate the coffeemaker twice with tap water in order to rinse away any residual substances.

OPTIONAL (accessories)

- No specific issues

PARTS LIST & EXPLODED VIEW

HD7564/20 / HD7564/20



Pos	Service code	Description	
1	4222 459 45498	Tank lid printed	Black
2	4222 459 45501	Switch	Silver
3	4213 247 05250	Foot	
4	4222 240 06070	Filter locking spring	
5	4222 247 35400	Spoon	
6	4222 459 45502	Filter assy	Metal / Black
7	4222 259 00400	Dripstop assy	Black
8	4222 459 45500	Jug lid	Black
9	4222 459 45336	Jug assy	Black
11	4222 247 06440	Hose piece	
12	4222 259 20460	Hose piece + valve	
13	4222 247 58680	Connecting piece	
14	4222 259 33970	Basic pump III	230 V
15	4222 259 34210	Fuse assy	
16	4822 282 40263	Thermostat assy	
17	4222 459 45490	Spring	

