

Service  
Service  
**Service**



**Philips Consumer Lifestyle**

# Service Manual

## PRODUCT INFORMATION

- This product meets the requirements regarding interference suppression on radio and TV.
- After the product has been repaired, it should function properly and has to meet the safety requirements as officially laid down at this moment.

## TECHNICAL INFORMATION

- Voltage : 220 - 240 V
- Frequency : 50 - 60 Hz
- Power consumption : 1000 W
- Contents jug : 1200 cc
- Coloursetting : Black
- Filter size : 1 x 4
- Thermostat switch-off temp :  $140 \pm 5$  °C
- Fuse cut-off temp : 228 °C
- SAP coding : HD7567/20

## DISASSEMBLY- AND RE-ASSEMBLY ADVISE

- No specific issues

## REPAIR INSTRUCTIONS

### De-scaling

If the water system is nearly or less clogged by scale then operate the coffeemaker a few times with vinegar or with a 10-15% solution of either vinegar-acid, citric acid or tartar acid, into cold tap water.

**Do not use other de-scaling agents** as these may harm the appliance.

If this procedure does not restore the function, then switch off the coffeemaker when the acid has passed through during approximately 3 min. Keep the appliance in this condition overnight and continue/repeat the cleaning operation.

After the de-scaling procedure, operate the coffeemaker twice with tap water in order to rinse away any residual substances.

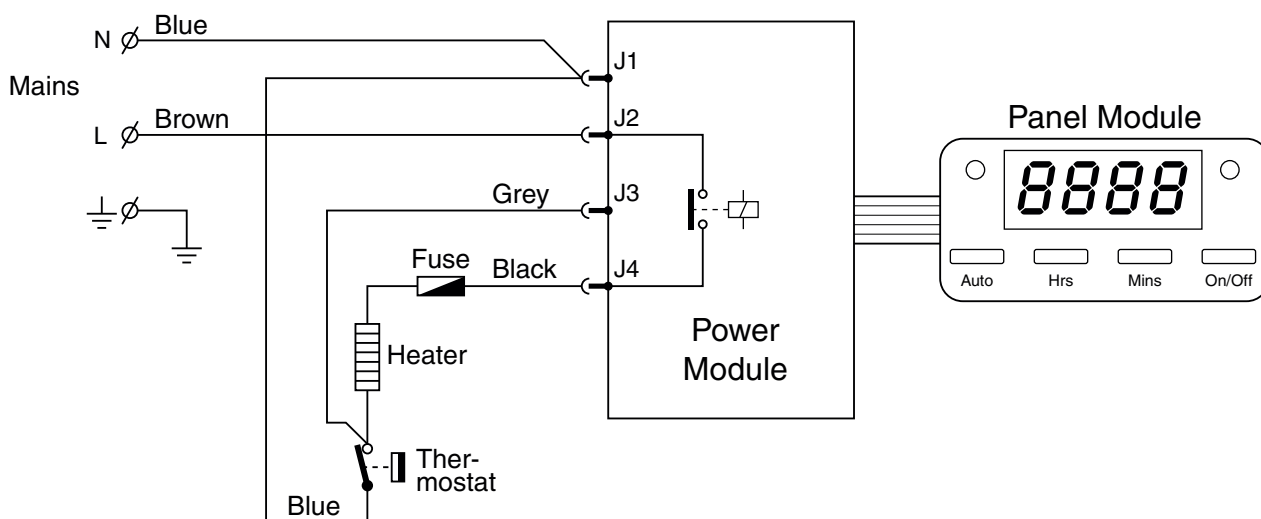
### OPTIONAL (accessories)

- No specific issues

## PARTS LIST

Pos	Service code	Description	
1	4222 459 45498	Tank lid	Black
2	4222 459 45505	Key PAD	
3	4222 459 45506	Timer assy	
4	4213 247 05250	Foot	
5	4222 247 35400	Spoon	
6	4222 240 06070	Filter locking spring	
7	4222 459 45499	Filter assy	Black
8	4222 259 00400	Dripstop assy	Black
9	4222 459 45500	Jug lid	Black
10	4222 459 45507	Bumper	Black
11	4222 459 45957	Jug assy	Black
12	4222 247 06440	Hose piece	
13	4222 259 20460	Hose piece + valve	
14	4222 247 58680	Connecting piece	
15	4222 259 33970	Basic pump III	230 V
16	4222 259 34210	Fuse assy	
17	4822 282 40263	Thermostat assy	
18	4222 459 45490	Spring	

## ELECTRICAL DIAGRAM



■ = changed

**EXPLODED VIEW**

**HD7567/20**

