

Service
Service
Service



Philips Consumer Lifestyle

Service Manual

PRODUCT INFORMATION

- This product meets the requirements regarding interference suppression on radio and TV.
- After the product has been repaired, it should function properly and has to meet the safety requirements as officially laid down at this moment.

TECHNICAL INFORMATION

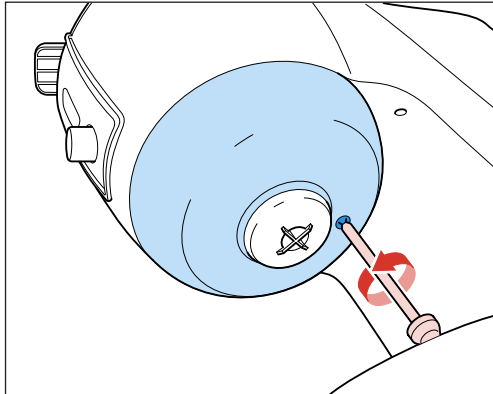
- Voltage : 220 - 240 V
- Frequency : 50 - 60 Hz
- Power consumption : 1400 W
- Colour setting : Black/Steel
- Contents : 1200 cc
- SAP coding : HD7686/90

OPTIONAL (accessories)

- Commercial trade number jug + juglid : HD7986/90 (Black)

DISASSEMBLY- AND RE-ASSEMBLY ADVISE

- Remove bottom base plate (3 screws).
- Now the Power module and switch PCB can be reached (Replacing the power module results in also replacing Switch PCB and visa versa).
- Pull the complete pump unit downwards until the hose pieces are loosened from the pump (hose pieces must stay connected to the appliance-pipes).
- Remove screw A to replace the metal filter carrier cover. (see picture)



REPAIR INSTRUCTION

- Descaling:

Regular de-scaling will prolong the life of your appliance and will guarantee optimal brewing results.

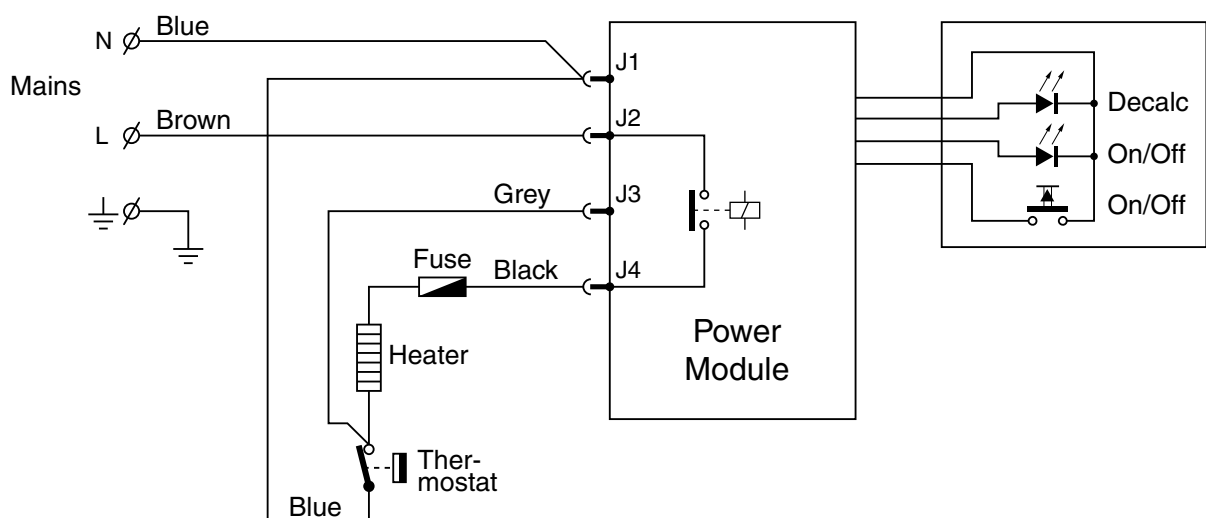
Follow below steps to de-scale the appliance.

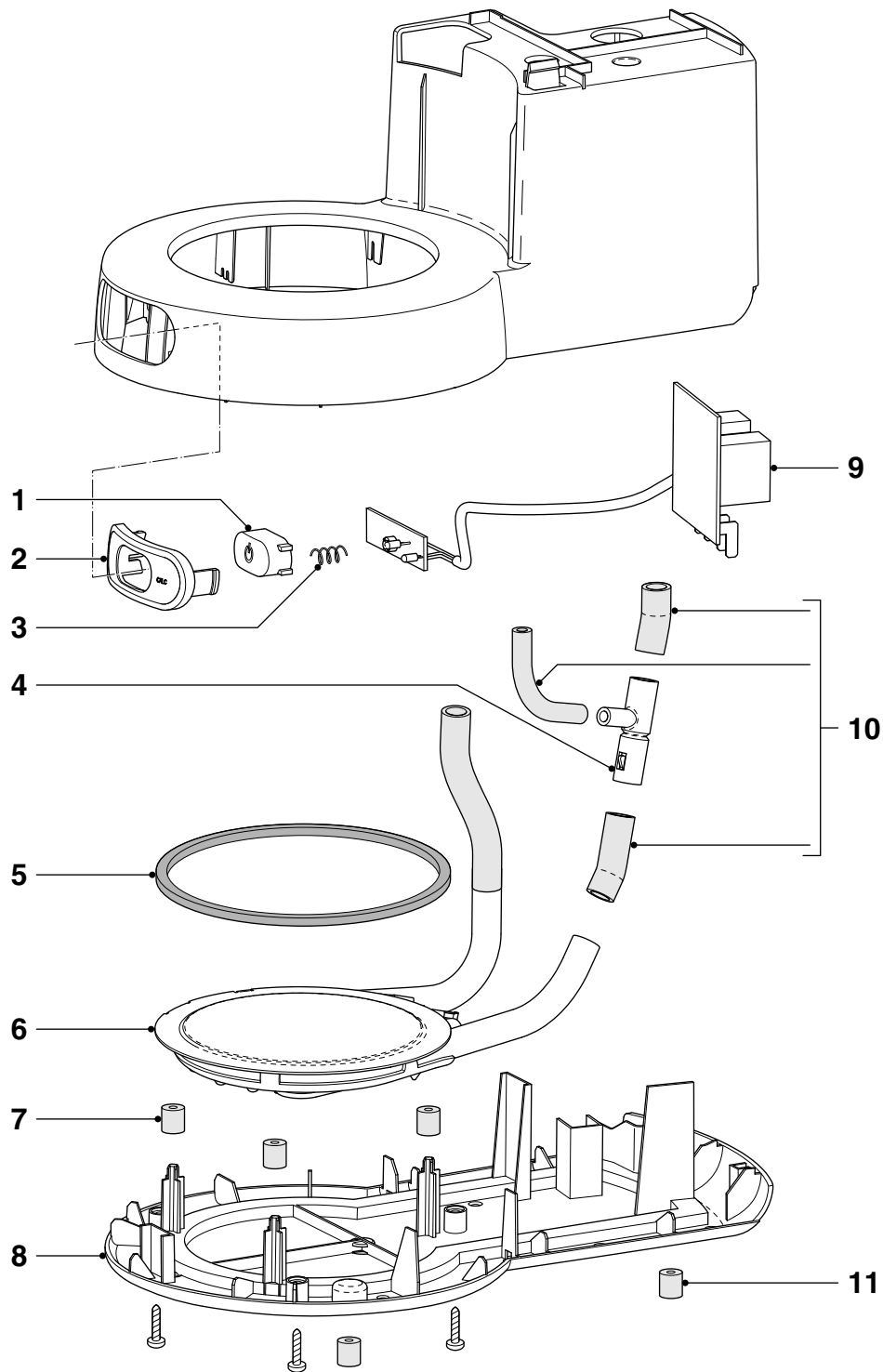
1. Fill the water tank with white vinegar.
2. Let the appliance complete two runs.
3. Let the appliance complete two more flushing cycles with clean water to rinse away all vinegar.

If the above procedure does not restore the function, then switch off the coffee maker when the acid passed through during appr. 3 min.

Keep the appliance in this condition overnight and continue the steps see above procedure.

ELECTRICAL DIAGRAM





Pos	Service code	Description	
1	4222 459 45032	Button	
2	4222 459 45030	Switch panel	Black
3	4222 459 45033	Button spring	
4	4222 459 45034	T-connector incl. valve	
5	4222 459 45048	O-Ring	
6	4222 459 45047	Heating system assy 230 V	
7	4222 459 45053	Distance heater (3x)	
8	4222 459 45055	Body bottom	Black
9	4222 259 38750	Power / Switch PCB	
10	4222 459 45044	Hose kit	
11	4222 459 45029	Rubber foot (2x)	

Pos	Service code	Description	
13	4222 459 45022	Filter insert assy	Black
15	4222 459 45024	Dripstop kit	
16	4222 459 45040	Frame	Black
17	4222 459 45035	Knob kit	
18	4222 459 45025	Filter cover brushed metal	
19	4222 459 45052	Jug lid	Black
20	4222 459 45017	Jug assy HD7986/90	Black
21	4222 459 45021	Watertank assy	Black
22	4222 459 45038	Intake service kit	

EXPLODED VIEW

HD7686/90

