

Service
Service
Service



Philips Consumer Lifestyle

Service Manual

PRODUCT INFORMATION

Safety info

- This product meets the requirements regarding interference suppression on radio and TV.
- After the product has been repaired, it should function properly and has to meet the safety requirements as officially laid down at this moment.

TECHNICAL INFORMATION

- Voltage : 220 - 240 V
- Frequency : 50 - 60 Hz
- Power consumption : 1000 W
- Standby power : 0.5 W
- Contents jug : 1200 cc
- Colour setting HD7740 : Black / Metal
- Filter size : 1 x 4
- Dimensions (L x H x W) : 310 x 430 x 215 mm
- Temperature coffee after brewing : 80 °C
- SAP coding : HD7751

OPTIONAL (accessories)

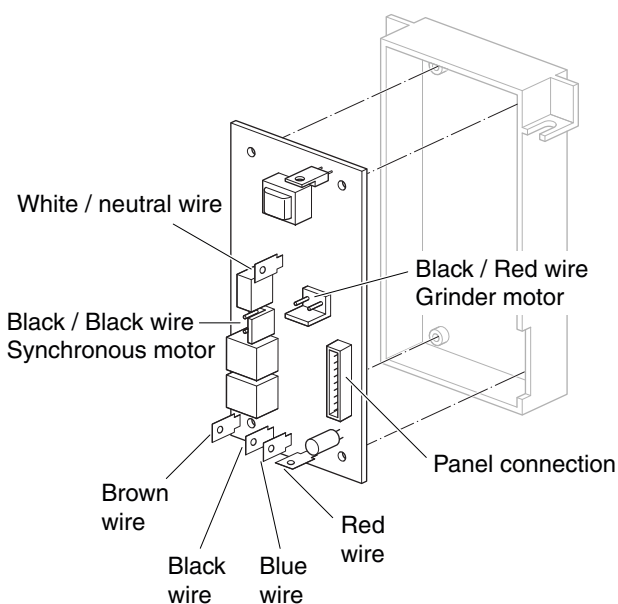
- No specific issues

A. Heating element removal

1. Turn the appliance upside down and remove the bottom from the base by unscrewing the 4 screws **A** under the rubber foot.
2. Remove the heating element by unscrewing the 5 screws **B**.
3. Remove the tubes from the heating element and disconnect the wires.

B. PCB removal

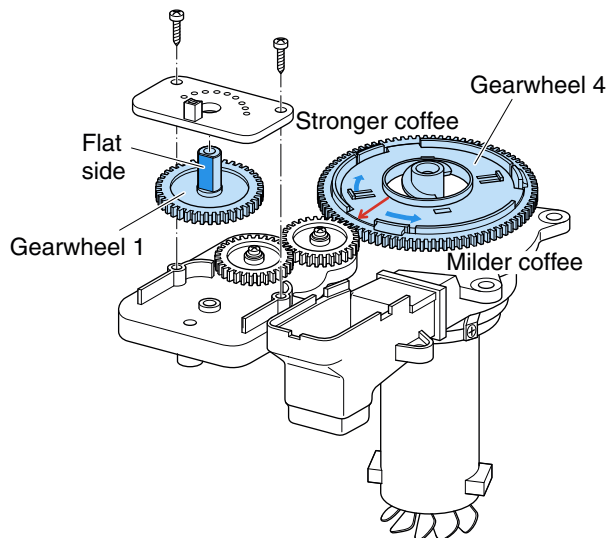
1. Turn the appliance upside down and remove the bottom from the base by unscrewing the 4 screws **A** under the rubber foot.
2. Remove the 2 screws **C**.
3. Disconnect the wires.



C. Grinder Motor removal

1. Unscrew the bean tray by unscrewing the 3 screws **D**.
2. Unscrew the 8 screws **E** on the top cover. Be aware of the 2 screws under the tank lid. They are protected by plastic caps, and can be very hard to remove. You can try blowing them out with a shot of compressed air, otherwise you may have to use a drill to get them out. New caps are available as 12nc: 4222 459 48871 (Pos 6.).
3. Remove the 7 screws **F** en 4 screws **G** from the grinder motor. (See picture with Pos 11 Grinder Motor)
4. Disconnect the Black / Red wire on the PCB. (See instructions **B**). Unfortunately there is a ferrite bead around the leads preventing easy removal, it may be necessary to cut out a small piece of the plastic bridge in the appliance to get it out.

5. During installation of the grinder motor be aware of the position of the Knob compared with the position of gearwheel 4. On gearwheel 4 you will see an arrow and when this arrow points to the marked line, the Indication on the knob has to point to number 5. This means the flat side of gearwheel 1 has to be on the side off the front panel.



Remark;

How to set the motor grinder in a stronger or milder coffee position?

When in the maximum setting, the coffee is not strong or mild enough; the motor grinder can be changed in a stronger coffee position by turning the gearwheel 4 a couple of gear teeth to the left. The motor grinder can be changed in a milder coffee position by turning the gearwheel 4 a couple of gear teeth to the right.

D. Front panel removal

1. Remove the 2 screws **H**.
2. Disconnect the wire flat cable on the PCB. (See instructions **B**). Be aware to use the rails when refitting the front panel with the base, and be aware to guide the wires along the motor correctly.

E. Filter holder Housing removal

1. Turn the appliance upside down and remove the 2 screws **I**. (See picture pos 17 filter holder housing)
2. Remove the axle, and remove the filter holder housing.

De-scaling

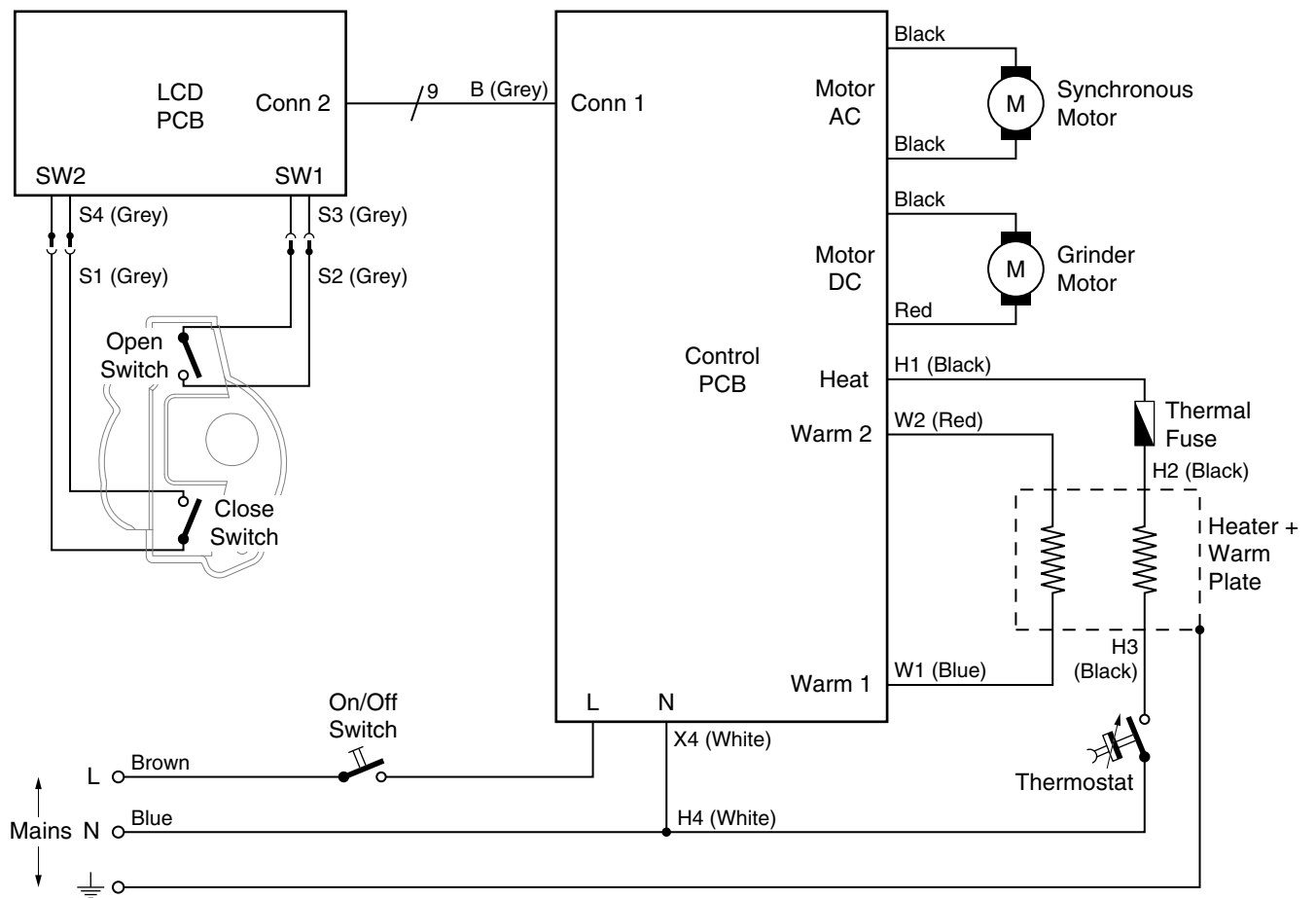
If the water system is nearly or less clogged by scale then operate the coffeemaker a few times with vinegar or with a 10-15% solution of either vinegar-acid, citric acid or tartar acid, into cold tap water.

Do not use other de-scaling agents as these may harm the appliance.

If this procedure does not restore the function, then switch off the coffeemaker when the acid has passed through during approximately 3 min. Keep the appliance in this condition overnight and continue/repeat the cleaning operation.

After the de-scaling procedure, operate the coffeemaker twice with tap water in order to rinse away any residual substances.

ELECTRICAL DIAGRAM



| Pos | Service code | Description | |
|-----|-----------------------|----------------------------------|-----------------|
| 1 | 9965 100 49915 | Heating element | 220 - 240 V |
| | 9965 100 58293 | Heating element | 220 V CN |
| 2 | 4222 459 48901 | PCB | 220 - 240 V |
| | 9965 100 58289 | PCBA | 220 V CN |
| 3 | 4222 459 48941 | Bean tray lid | |
| 4 | 9965 100 49914 | Bean tray assy | |
| 5 | 4222 459 48931 | Tank lid | |
| 6 | 4222 459 48871 | Screw cap | |
| 7 | 4222 459 48961 | Cleaning window | |
| 8 | 4222 459 48971 | Sealing ring | |
| 9 | 4222 459 51781 | Knob | |
| 10 | 4222 459 54591 | Top cover | |
| 11 | 4222 459 48851 | Grinder motor | 220 - 240 V |
| | 9965 100 58288 | Grinder motor | 220 V CN |
| 12 | 9965 100 49916 | Panel assy | 220 - 240 V |
| | 9965 100 58292 | UI Panel assy | 220 V CN |
| 13 | 4222 459 51761 | Permanent filter | |
| 14 | 4222 459 48911 | Filter holder + dripstop | |
| 15 | 4222 459 48881 | Hinge | |
| 17 | 4222 459 48921 | Filter holder housing | (Eu) |
| 18 | 4222 459 54551 | Jug assy | Metal / Black |
| 19 | 4222 459 48951 | Brush | |
| 20 | 4222 247 35400 | Spoon | |
| 21 | 4222 459 53231 | Hose incl. checkvalve and spring | |
| 22 | 4222 459 53651 | Locker assy | |
| 23 | 9965 100 54955 | On/Off switch | |
| 24 | 9965 100 54134 | Synchro motor assy | |
| | 9965 100 58291 | Synchro motor assy | 220 V CN |

EXPLODED VIEW

HD7751

