

Service  
Service  
Service



Philips Consumer Lifestyle

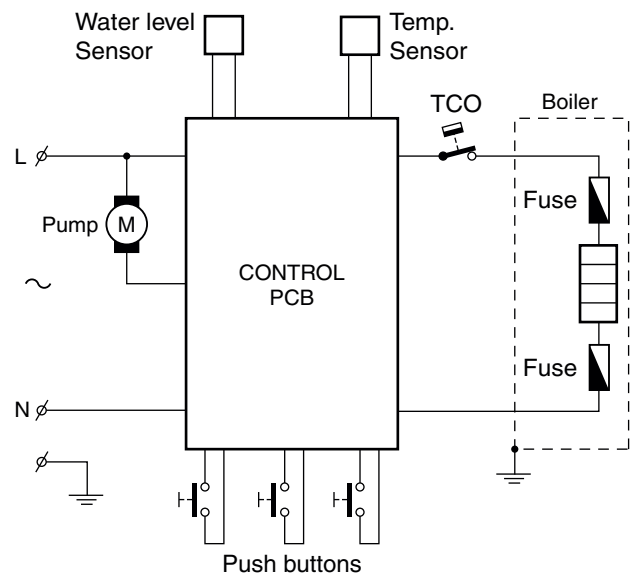
# Service Manual

**PRODUCT INFORMATION**

- This product meets the requirements regarding interference suppression on radio and TV.
- After the product has been repaired, it should function properly and has to meet the safety requirements as officially laid down at this moment.

**TECHNICAL INFORMATION**

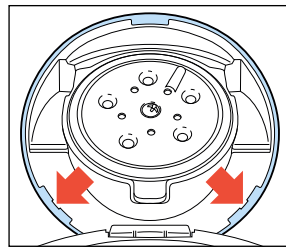
- Voltage : 220 - 240 V
- Frequency : 50 - 60 Hz
- Power consumption : 1450 W
- Standby power consumption : < 1 W
- Contents reservoir : 755 cc
- Colour setting : Deep red
- SAP coding : HD7810/90/C



**Disassembly information**

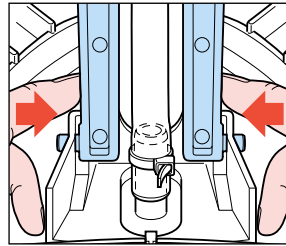
To remove the brew chamber lid cover handle as follows:

- Place the screwdriver on the positions (see picture 1) and lift the cover over the snap locks on both positions.



picture 1

- The cover lid can now be lifted up a little and to remove the complete cover including lever and push rod squeeze strongly with two fingers both legs of the push rod (see picture 2) to each other, so that the two pins will get out of the hinge position on the brew chamber.



picture 2

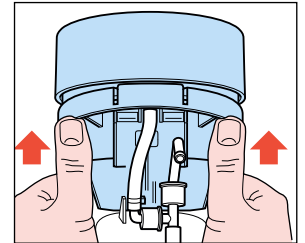
- To remove lever from lid cover, take a screwdriver and bend carefully the two lips/ribs in the lid cover outwards and push the lever with force out of the hinge.
- Reassemble follow steps backwards, without using a screwdriver.

To remove the back cover handle as follows:

- Remove valve outlet.
- Start at the upper side of the back cover and stick a screwdriver into the 2 snap locks positions and gently pull the back cover from the appliance so that a little chink between back cover and brew chamber becomes visible.
- Put the screwdriver in to the 4 rectangular holes (snap locks) at the back and gently pull the screwdriver such away that the lips of the snap locks are bent outwards.
- If all clicks positions are loose, it is possible to remove the back cover.
- Reassemble follow steps backwards.

Removing Brew chamber head handle as follows:

- Disassemble back cover!
- Place the appliance such a way that you are looking at the boiler.
- First remove the boiler from the snap lock position of the brew chamber.
- To remove the brew chamber, use your both thumbs (see picture 3) and push strongly with a little distortion (rotation) until the brew chamber comes loose.



picture 3

- Reassemble follow above steps backwards.

To reach the components placed on the base handle as follows:

- First remove back cover, brew chamber and 3-way valve.
- Remove both Torx T15 screws see exploded view in the near of position **A**.
- Bend the 2 click snap locks with a screwdriver (see base), and the housing can now be removed.
- To remove the rest of the housing unlock the last 4 snap locks at the base and gently pull of the front cover.
- To reassemble follow above steps backwards.

**OPTIONAL (accessories)**

- XL watertank (10 Cups)  
Commercial type number HD7982  
Service code : 4222 259 20100

**Descaling**

Regular descaling will prolong the life of your appliance and will guarantee optimal brewing results for a long time.

- Follow the steps in the section headed “Preparing the appliance for use” see DFU (Direction for Use manual)
- Instead of only water use a mix of water and Lemon sour.
- For the best result leave the mix of water and Lemon sour for about 30 minutes in the appliance, before you start with flushing the appliance.
- To get the best results repeat above-mentioned step once or twice.
- When finished, flush the appliance twice by repeating the above-mentioned steps only use water instead.

**Volume adjustment**

The new PCB circuit board makes it possible to adjust the volume output by means of pushing the one-cup and two-cup user controls.

How to adjust the volume output:

1. Be sure the boiler is filled properly, other wise perform fill procedure see DFU for instructions.
2. Switch appliance on and wait until the unit is ready to brew.
3. Be sure a **pod holder** is placed, but **without** a Coffee POD. (Only adjusting with **plain** water)
4. Place a cup on the drip tray cover and push the one-cup button.
5. When the appliance has finished it is stabilized to perform the volume adjustment.
6. Empty the cup and push again for one cup setting, measure the volume output with a graduated beaker. In the table you can find the requirements for the minimum / maximum volume output cc/mL values depending from the country version:

One-cup setting, Including Pod holder, water spec. (Without Coffee pod)		
	Min. water cc/mL	Max. water cc/mL
France version	104	120
General version	127	143

7. Unplug the appliance from the mains.
8. Press the 1- and 2 cup button simultaneously and plug the mains on.
9. When above step succeeded the LED will turn on continuously.
10. Depending if the volume has to de- or increase you have to push the 1- or 2 cup button.  
Every time you push the 1- or 2 cup button the LED will turn off for 0.5 second (feedback to user) and the pump time will be shorten or lengthen for 0.5 seconds depending which button was pushed.  
**Pushing 1 cup** button pump, time will be **shorten** with 0.5 sec is approximately – 3.5 cc/mL (less coffee)  
**Pushing 2 cup** button pump, time will be **lengthen** with 0.5 sec is approximately + 3.5 cc/mL (more coffee)

When the volume has to increase with 10 cc for example, push the **2 cup** button 3 times.

The new value will be stored when you switch the appliance off by pushing the main switch.  
(LED will turn off)

11. Turn appliance on again and brew one cup, measure the volume. In case the volume is not within specification repeat steps 6 - 11.
12. End.

**Automatic filling procedure:**

The Senseo PCB contains an automatic filling procedure software routine. This fill routine is only meant for **back-up**. Normally the consumer has to follow the guidelines stated in the DFU.

The filling procedure functions as follows:

The consumer has to fill the water container and has to plug the appliance on the mains.

When the Senseo main switch has been pushed the main switch LED will light continuously. This is only the case when the Senseo has not finished the filling procedure completely! (**First use**)

When the consumer pushes the one or two-cup button, the Senseo will start automatically the pump to fill the boiler. When the boiler is filled the pump stops pumping. (Pump time approximately 20 seconds)

When the filling procedure has been successful the software will clear a **Boiler\_empty\_flag** in the Eeprom.

By means of this **Boiler\_empty\_flag** the system knows the boiler is filled or not!

When the Senseo is switched off or disconnected from the mains, the value of the **Boiler\_empty\_flag** is stored in the Eeprom chip.

**Restoring the Boiler\_empty\_flag to production default:**

Some times it is needed that the boiler of the Senseo have to be emptied.

This for instance in wintertime were the possibility exists that the boiler becomes frozen during transport e.g.

For those occasions it is handy to restore the **Boiler\_empty\_flag** again to production default in the Eeprom.

Bringing the Senseo back into production status, has the benefit the flush routine will be activated automatically when installed by the consumer, see topic **Automatic filling procedure**.

To SET the **Boiler\_empty\_flag** can be done by:

**Keep the 1-cup button pressed while plugging in the power cord of the appliance.**

To check if the **Boiler\_empty\_flag** is really set, you should reconnect the power cord a second time to the net (do not push any buttons).

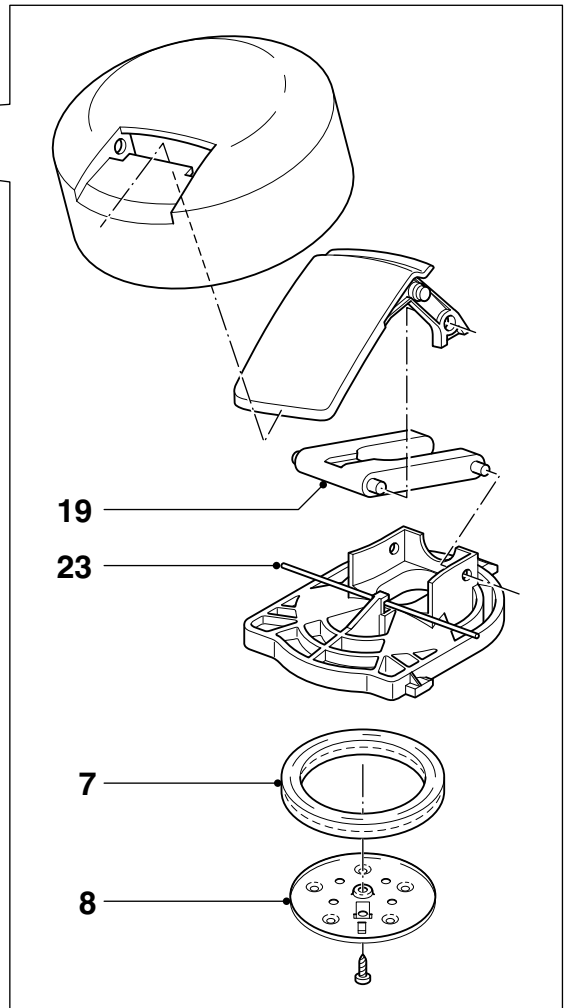
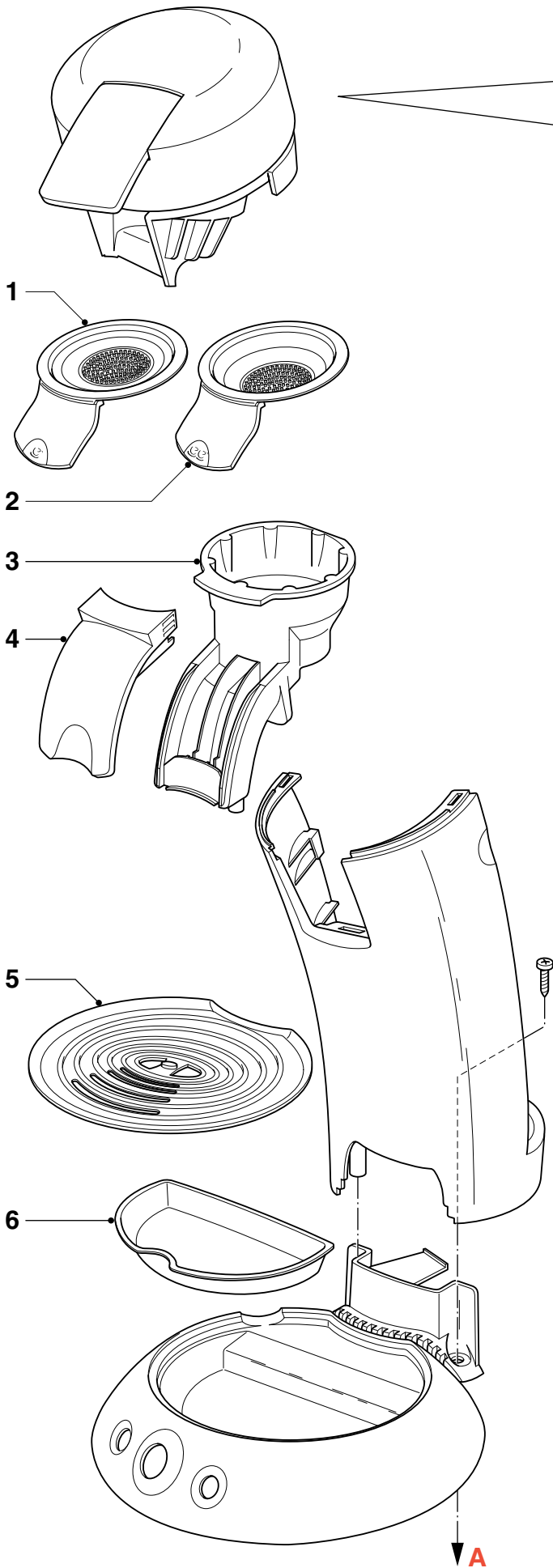
The LED should blink very fast for 0.5 seconds at the moment the power cord was connected to the net.

Pos	Service code	Description	
1	4222 259 34690	Pad holder single	Black
2	4222 259 34740	Pad holder double	Black
3	4222 247 39540	Foam chamber	
4	4222 247 37140	Foam chamber cover	Black
5	4222 240 06670	Drip tray cover	< WK1232 Metal
	4222 247 66481	Plastic drip tray cover	> WK1232 Black
6	4222 247 35790	Drip tray	
7	4222 247 06810	Brew chamber radial seal	
8	4222 259 06890	Distributor assy	
9	4222 259 34970	Valve (3way)	
10	4222 259 06580	Water tank assy	Soft Grey
	4222 259 20100	XL(10 Cups) Water tank assy	Silent blue
11*	4222 247 37200	Valve outlet	Black
12	4222 247 35870	Filter	
13	4222 247 05180	WC Sealing	
14	4222 247 39890	WC socket Hard	
15	4222 247 05110	Corrugated tube/hose	
16	4213 247 05250	Foot	
17	4222 259 34887	Base PCB assy	230 V
18	4222 259 37240	Pump	230 V
19	4222 247 35820	Push rod	
20	4222 247 39902	Button frame	Silver
21	4222 247 39913	On/Off button	
22	4222 247 39941	Button cover	Silver
23	4222 240 06401	Slider spring	

\* standardized part

EXPLODED VIEW

HD7810/91/C



A

