

Service  
Service  
**Service**



Philips Consumer Lifestyle

# Service Manual

## PRODUCT INFORMATION

- This product meets the requirements regarding interference suppression on radio and TV.
- After the product has been repaired, it should function properly and has to meet the safety requirements as officially laid down at this moment.

## TECHNICAL INFORMATION

- Voltage : 220 - 240 V, 50 - 60 Hz
- Power consumption : 650 W
- Power standby : 0.5 W
- Dimensions (w x d x h) : 300 x 340 x 310 mm
- Length power cable : 1.10 Meter
- Colour setting : White / Lavender
- SAP coding : HD9020

## DISASSEMBLY- AND RE-ASSEMBLY ADVISE

- **Before you start dismantling!**

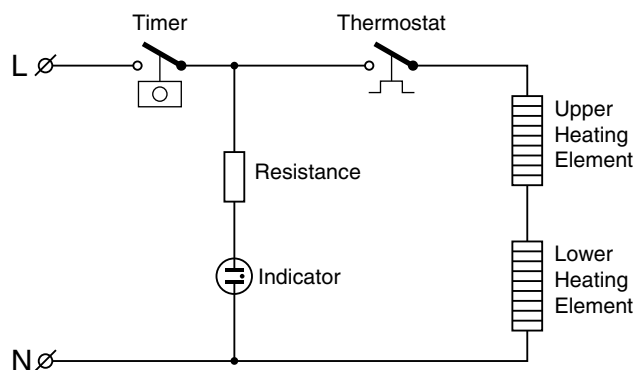


**For your safety be sure the plug is disconnected from the mains!**

## REPAIR INSTRUCTIONS

- To replace the Control Panel assy, remove the lid and remove the two screws holding the Control Panel in place. Pull gently upwards to unhook the Control Panel, be aware that the Control Panel is still connected by the flat cable. Unhook the flat cable from the PCB. Please note, the flat cable connector will only fit in one way with respect to the receptacle.

### Electrical diagram:



### OPTIONAL (accessories)

- No specific issues

## PARTS LIST

Pos	Service code	Description
1	4222 459 45778	Paddle
2	4222 459 45779	<b>Bread pan</b> suitable for appliances before week 1208
	9965 100 55821	<b>Bread pan</b> suitable for appliances after week 1208
3	4222 459 45780	Control panel assy
4	4222 459 45781	Lid assy
5	4222 459 45787	Spoon
6	4222 459 45788	Measuring cup
7	4222 459 45882	Hook
8	4222 459 52311	5 pieces of crimp housing 2 wire connection
9	4222 459 52251	Main PCB
10	4222 459 52241	Power Supply PCB
11	4222 459 52321	12 pieces of Screw cover
12	4222 459 52261	Heating element, fuses, sensor assy
13	4222 459 52271	Sensor
14	4222 459 52281	Fuses
15	4222 459 52291	<b>Motor assy</b> suitable for appliances before week 1208
	9965 100 55822	<b>Motor assy</b> suitable for appliances after week 1208
16	4222 459 52301	Base incl. power cord

