

Service
Service
Service



Philips Consumer Lifestyle

Service Manual

PRODUCT INFORMATION

- Product meets the requirements regarding interference suppression on radio and television.
- After the product has been repaired, it should function properly and has to meet the safety requirements as laid down officially established at this moment.

TECHNICAL INFORMATION

- Voltage : 220 - 240 V or 110 - 127 V
- Frequency : 50 - 60 Hz
- Power consumption HV : 755 - 900 W
LV : 755 - 1010 W
- Thermostat switch-off temp. : 150 ±5 °C
- Thermal fuse cut-off temp. : 188 +3/-1° C
- Timer : 0 - 99 Minutes
- Food type programming : Buttons
- Food ready indication : Audible
- Water tank refill indication : Audible and visible
- Contents water tank : 1100 cc
- On/off indication : Power-on light
- Descaling indication : Audible and visible after 15 h of steaming
- Color setting : Black/Metal/Red
- Size : 320 x 226 x 423 mm (L x W x H)
- Weight : 2 Kg
- SAP coding : HD9140/90

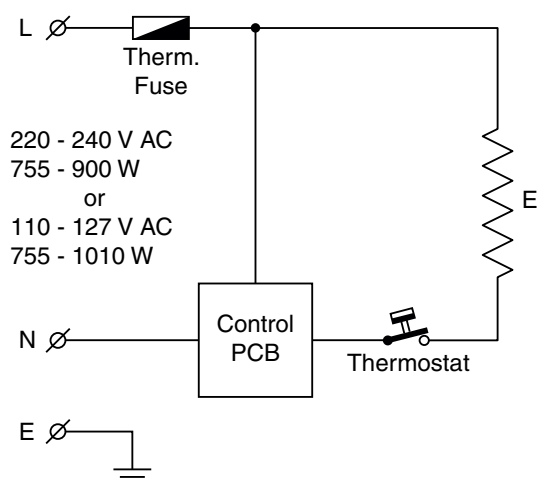
DISASSEMBLY- AND RE-ASSEMBLY ADVISE

- To disassemble the base cover, remove the 7 screws (5 of them hidden under the rubber feet).

REPAIR INSTRUCTION

- Electrical circuit

When the appliance does not work, check the electrical circuit.



- Decalcification

Fill the water tank to the MAX level with white vinegar (8 % acetic acid). Do not use any other type of descaler! Put the drip tray, all bowls and the lid on the base properly. Plug in a wall socket and set timer for 25 minutes to begin steaming.

WARNING: If vinegar begins to boil over the edge of base, unplug the unit and reduce the quantity of vinegar slightly. When the 25 minutes have elapsed, unplug the appliance and allow the vinegar to cool down before pouring it out. Rinse the water basin several times with cold water.

Note: Repeat the procedure if there is still some scale in the water tank.

- Cleaning filter

Clean the filter by rinsing it under a running tap. If necessary, a soft nylon brush can be used.

The filter can also be cleaned by de-scaling it.

Let the filter soak in a cup of warm water with some white vinegar.

Take the filter out of the cup and rinse it thoroughly.

OPTIONAL (accessories)

- No specific issues.

PARTS LIST

Pos	Service code	Description
1	4222 459 45357	Water receiver incl. Supporter Black
2	4222 459 45358	Cover incl. Handle Black
3	4222 459 45356	Steam cap incl. Support
4	4222 459 45363	Filter
5	4222 459 45404	Rice bowl
6	4222 459 45405	Upper steam bowl
7	4222 459 45364	Heating element incl. thermostat 220 - 240 V
	4222 459 45365	Heating element incl. thermostat 110 - 127 V
8	4222 459 45366	Fuse assy incl. wires
9	4222 459 45406	Middle steam bowl
10	4222 459 45369	Tube 8*13.4 L = 45mm
11	4222 459 45407	Lower steam bowl
12	4222 459 45367	Base cover
13	4222 459 45368	Rubber foot (1 pc)
14	4222 459 45370	Bend pipe
15	4222 459 52231	XL Rice / Soupe bowl

■ = changed

