

Service
Service
Service



Philips Consumer Lifestyle

Service Manual

PRODUCT INFORMATION


- Product meets the requirements regarding interference suppression on radio and television.
- After the product has been repaired, it should function properly and has to meet the safety requirements as laid down officially established at this moment.

TECHNICAL INFORMATION

- Voltage : 220 - 240 V / 50 - 60 Hz
- Power rated : 2000 W \pm 10 % (max)
- Power standby : 0,5 W (<1 W)
- Dimensions
 - packed (l x w x h) : 340 x 190 x 340 mm
 - unpacked (l x w x h) : 340 x 190 x 470 mm
- Color setting : Alu / Black
- Usage conditions : Indoor use
- SAP coding : HD9160/00

DISASSEMBLY- AND RE-ASSEMBLY ADVISE

- Before you start dismantling!

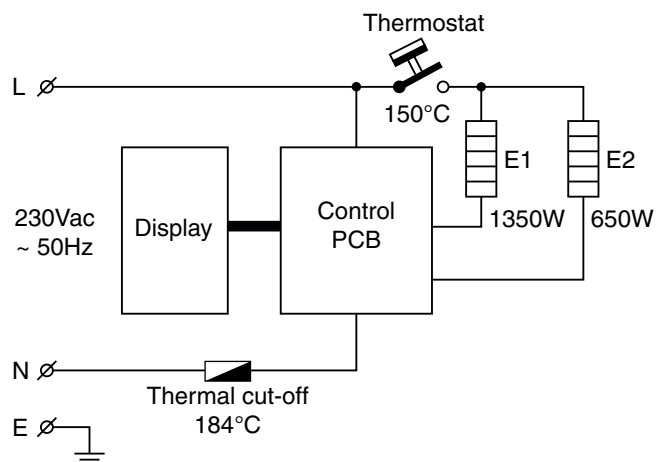
 For your safety be sure the Mains plug is disconnected from the Mains!

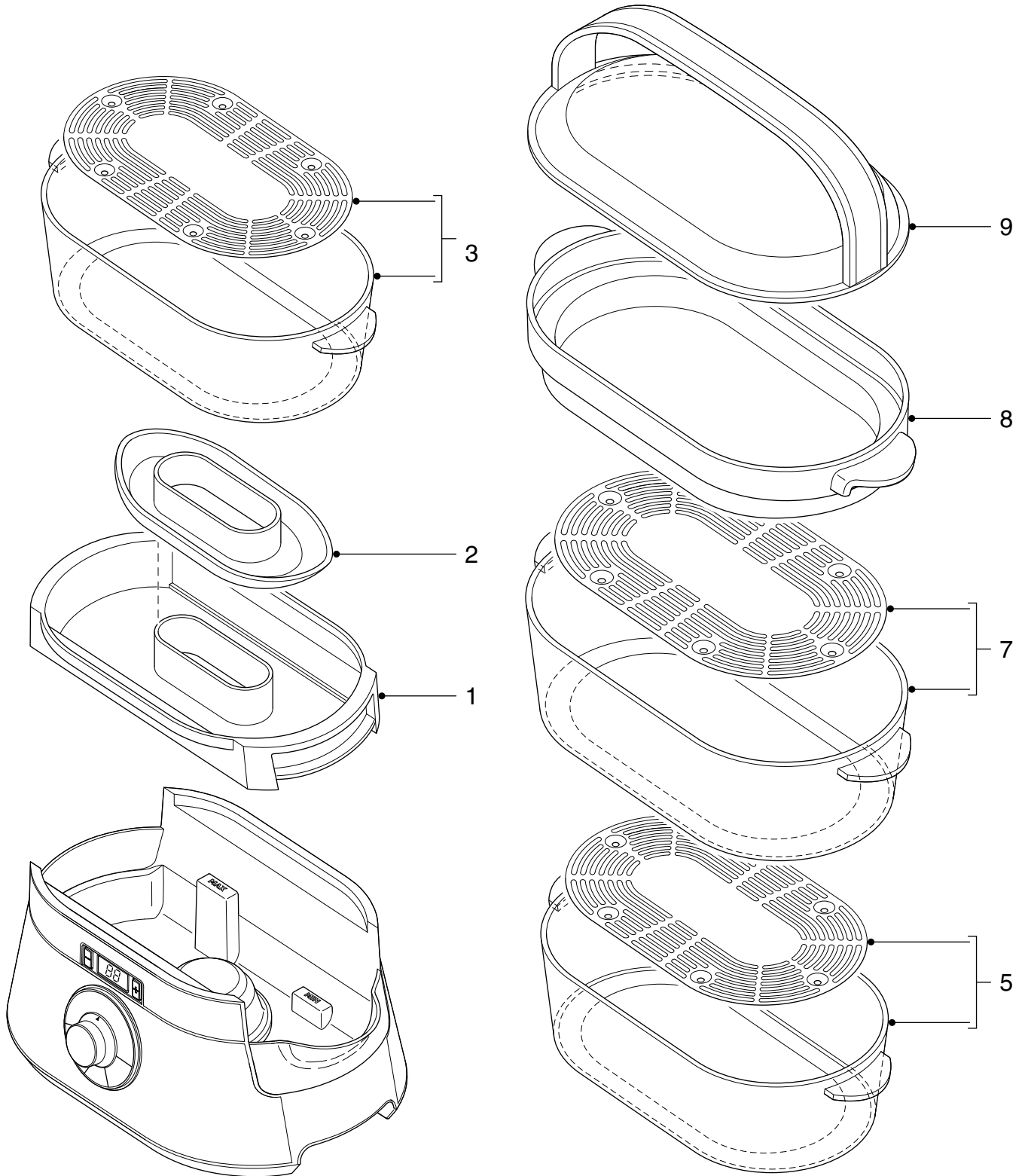
REPAIR INSTRUCTION

- No specific issues.

OPTIONAL (accessories)

- No specific issues.





Pos	Service code	Description
1	4222 459 45789	Drip tray 1
2	4222 459 45790	Flavour booster
3	4222 459 45791	Steam bowl 2

Pos	Service code	Description
5	4222 459 52191	Steam bowl 3
7	4222 459 52201	Steam bowl 4
8	4222 459 52211	Fish / Rice bowl 5
9	4222 459 45797	Lid