



Philips Consumer Lifestyle

Version: A

# Service Manual

### PRODUCT INFORMATION

- This product meets requirements regarding interference suppression on radio and TV.
- After the product has been repaired, it should function properly and has to meet the safety requirements as officially laid down at this moment.

### OPTIONAL (Accessories)

- Baking dish 4222 459 52761
- QC Basket 4203 036 08751
- double layer accessory 4203 036 04141 HD9904/00

### TECHNICAL INFORMATION

- Product dimensions (W x H x D) : 287 x 315 x 384 mm
- Cord length : 0.8 meter
- Materials : Outer skin : Plastic (PP)
- : Pan : Aluminized steel
- : Basket : Aluminized steel
- : Basket mesh : Stainless steel
- : Coating : PTFE coating
- Capacity : 2.2 liter (till max indicator)
- Weight : 7.0 kg
- Coloursetting : white lavender
- Temperature : 80 till 200 °C
- Fuse cut-o temp. Motor : 145 °C
- TCO : 190 °C

	Voltage	Frequency	Power consumption
WEU,EEU,SEU,Nordic,TR	220 - 240V	50 Hz	1425W
UK,DB,SGP,HK,MY,IN,TH,AU,NZ,ZA	220 - 240V	50 Hz	1425W
AR	220V	50 Hz	1425W
CN	220V	50 Hz	1300W
TW	110V	60 Hz	1425W
SA,KR	220V	60 Hz	1425W

# TECHNICAL INFORMATIONS

HD9220/40

HD9220/42

HD9220/43

HD9220/44

## IMPORTANT:

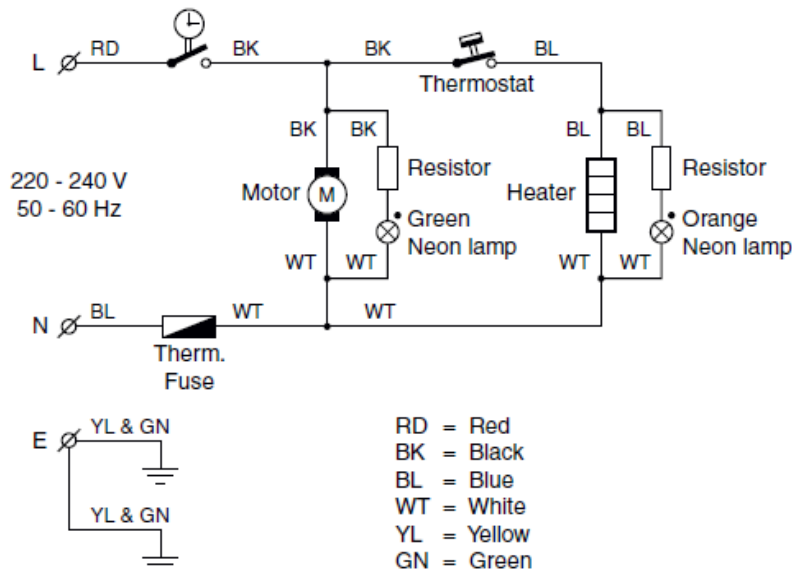
When you replace the pan (basketholder) or basket, first check production week on the bottom of the appliance to find out which part(s) you need to order:

HD9220/4x	Pan		Basket	
1111	4222 459 54141	and	4222 459 54121	Due to compatibility issues, make sure you order both components
1111 > 1136	4222 459 54141	or	4222 459 51791	Components are compatible no need to be ordered both at once
> 1136	4222 459 54141	or	4222 459 54121	Components are compatible no need to be ordered both at once

## Electrical circuit

When the appliance does not work, check the electrical circuit.

Open the lid panel always on the underside. Always replace this panel in case of damaged, scratches body or broken click connection.



# TROUBLE SHOOTING

HD9220/40

HD9220/42

HD9220/43

HD9220/44

Part/ System	Test	Possible deviation	Analyses	Replace (depending of the analyses outcome)
Timer	Check if the green light is lit, and if you can hear the timer ticking	The green light is not lit but the timer is ticking	Check the timer-switch and the fuse with a multimeter	Timer/Fuse
		The green light is lit but the timer is not ticking	Timer is defective	Timer
Thermostat	Set the temperature at 80 °C and check if the heating element is getting warm (Check input power approx. 1425 W) The green light should be lit and the orange light should switch off after it reaches 80 °C	Both green and orange light are lit but there is no heating	Check the heating element with a multimeter	Heating element
		If the green light is lit and the orange light is off	Check the thermostat with a multimeter	Thermostat
		If both the green and orange light are off	Check the timer and fuse with a multimeter	Timer/Fuse
		The orange light does not switch off after reaching approx. 80 °C	Thermostat is defective	Thermostat
Motor fan assy	Set the timer and listen if the motor is running	Motor is not running	The fan is scraping the housing turning it by hand (Switch off the power when you do this test!)	Motor fan assy
			The fan is not scraping the housing turning it by hand (Switch off the power when you do this test!): Check the motor fan assy, timer and fuse with a multi meter	Motor fan assy / Timer/Fuse
Heating element	Check if the heating element is getting warm (Check input power approx. 1425 W)	If the Orange light is on and the heating element does not heat	Check the heating element with a multimeter	Heating element
		If the heating element does not heat and the orange light is off	Check the timer, fuse and thermostat with a multimeter	Timer/Fuse/ Thermostat
Thermal fuse	Set the timer and check if the green light is lit	Green light is not lit	Check the timer and fuse with a multimeter	Timer/Fuse

# REPAIR INSTRUCTIONS

HD9220/40  
HD9220/42  
HD9220/43  
HD9220/44

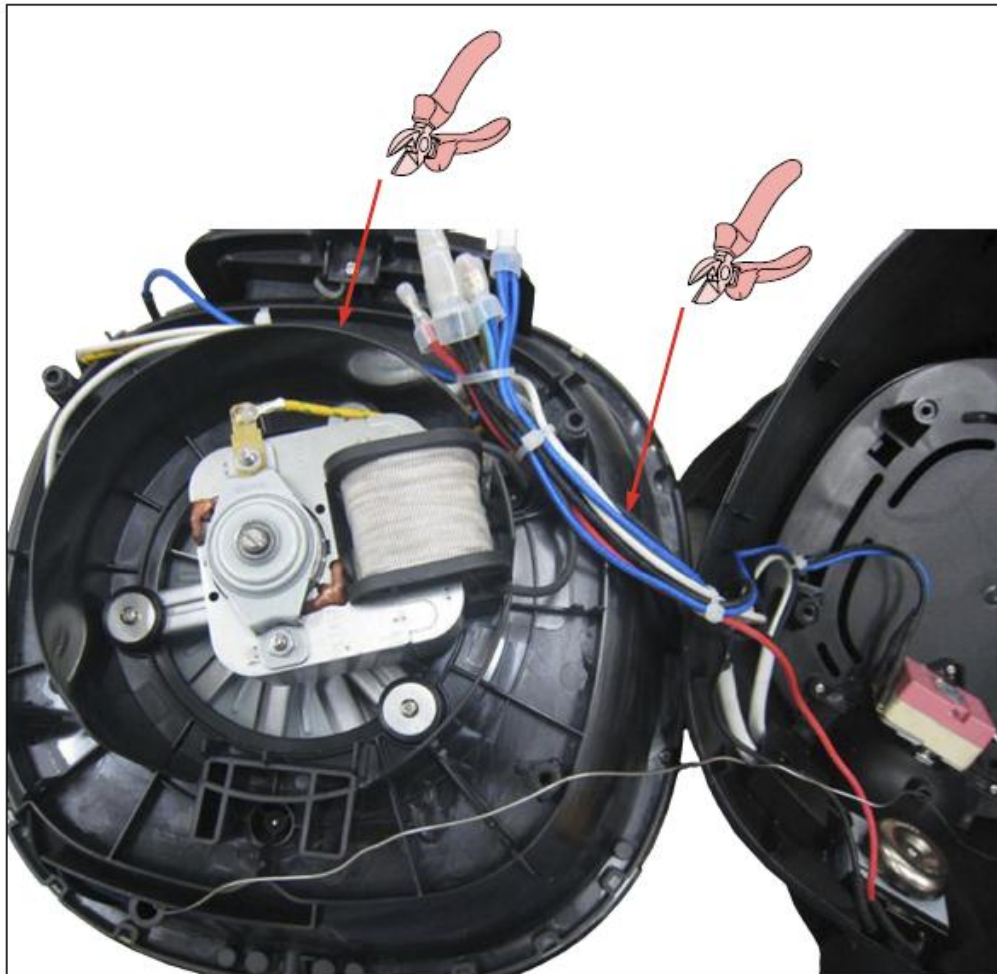
## General remark;

When you need to disconnect a wire from the crimp housing, please cut the wire half way (See  $\text{3C}$  in the picture below) and always connect the wires with a new 2 wire crimp housing 4222 459 51851. To crimp the housing use the Lobster AK25 No2 or Muromoto Tekko MR30A Nr 2 with Air pressure = 6 kg/cm<sup>2</sup>.

## Crimp instruction CE2

- 1) Strip wires: 16mm (0.63 in) Max. 13mm (0.51) Min.
- 2) Twist the wires together along the entire length of the strip and insert them into crimp housing .
- 3) Center the crimp tool on the sleeve.
- 4) Crimp the housing with 6 kg/cm<sup>2</sup>.

Route the wire route, using 5 tie-wraps according the picture below;

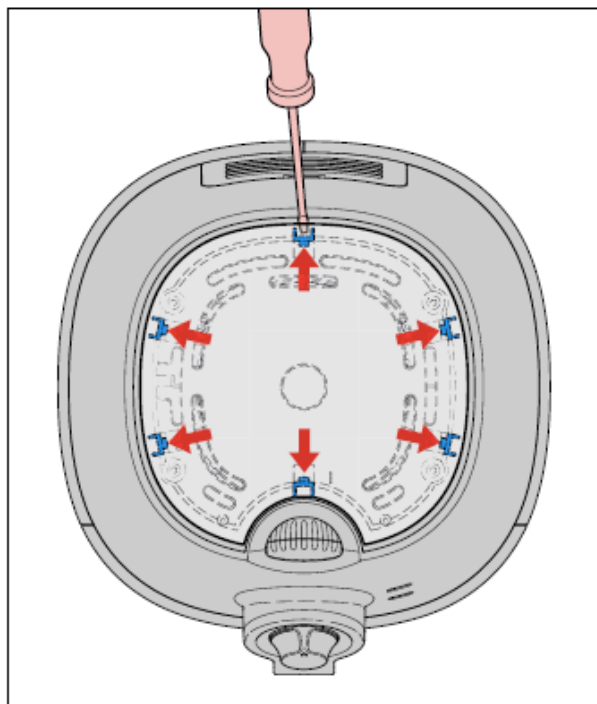


# DISSASSEMBLY & RE-ASSEMBLY ADVICE

HD9220/40  
HD9220/42  
HD9220/43  
HD9220/44

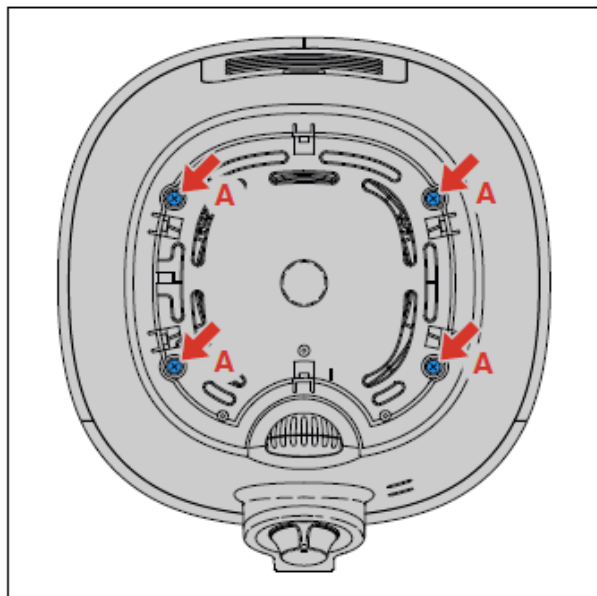
## A. Top cover removal

1. Open the cover from the top cover by using a flathead screw driver to open the 6 click connections.

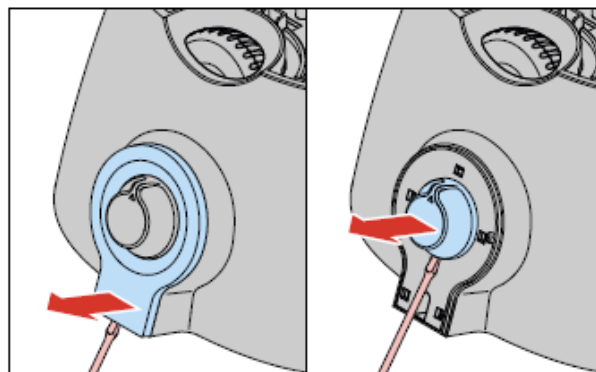


2. Use a crosshead screw driver to unscrew the 4 screws **A**.

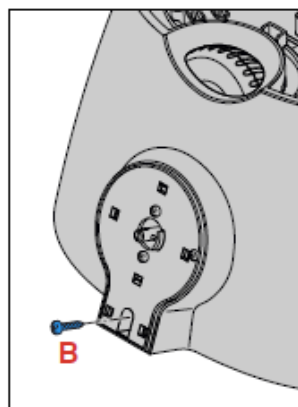
**Note:** When you close the top cover, use a screw torque off 50 till 80 Nm (5 to 8 kgf.cm)



3. Use a flathead screw driver to open the "timer top cover" and pull the knob from the appliance.



4. Unscrew the screw **B** under the timer top cover.



**Note:** Replace the timer cover and / or the cover in case of damage and / or scratches.

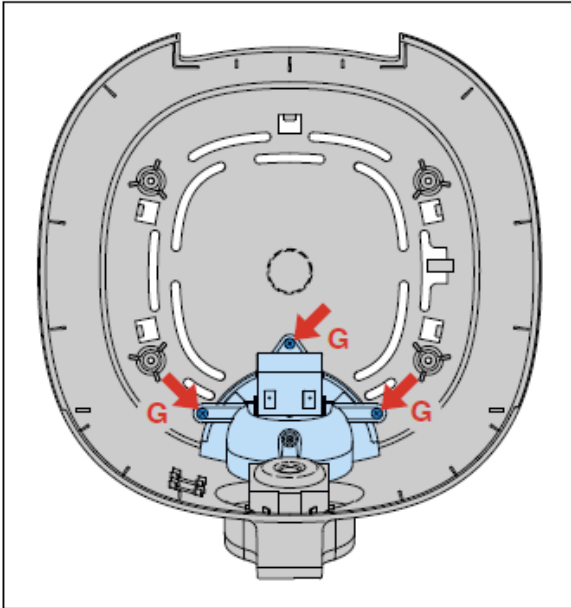
**Tip:** Open the "timer cover" from the bottom side, to avoid scratches on visible places.

# DISSASSEMBLY & RE-ASSEMBLY ADVICE

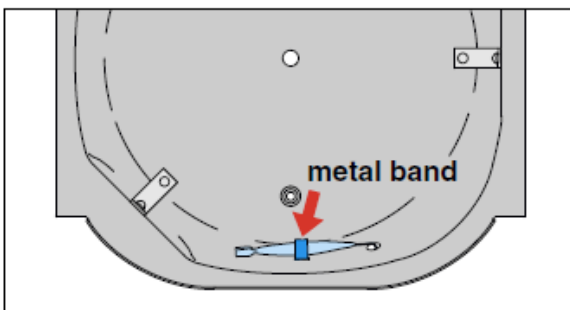
HD9220/40  
HD9220/42  
HD9220/43  
HD9220/44

## F. Thermostat removal

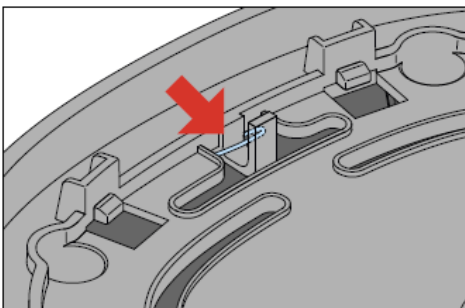
1. Follow previous step **A**
2. Remove the 3 screws **G** from the thermostat assy.



3. Follow previous step **B, C, D**  
By step **C** do not cut the wires.  
**Note: be careful with the wire/heating element connecting, this connection is fragile.**
4. Remove the thermostat sensor by undoing the metal band.

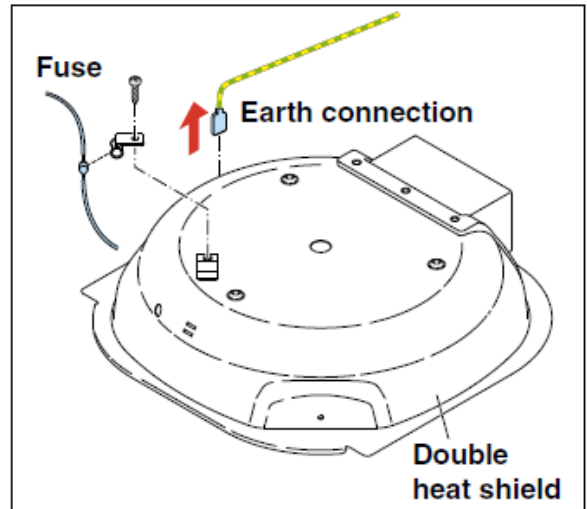


**Note: Please make sure while re-assembling the new thermostat that the routing will be done as shown in below picture.**

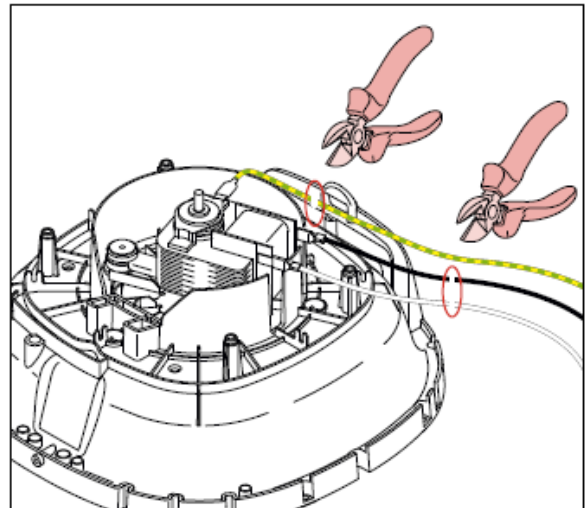


## G. Motor assy removal

1. Follow previous step **A, B, C, D**  
By step **C** do not cut the wires.
2. Remove the thermostat sensor (See instruction F 4)
3. Remove the fuse and the earth connection from the double heat shield.



4. Cut the motor wires half way and remove the motor fan assy.



# PARTSLISTS

**HD9220/40**  
**HD9220/42**  
**HD9220/43**  
**HD9220/44**

\* From production WK1211 the Green light will be removed.

\*\* From production WK1250 the Food separator is removed.

Pos	Service code	Description	Remark
1	4222 459 51861	Cover	Lavender
2	4222 459 51811	Timer knob	Purple
3	4222 459 51821	Timer cover	Lavender
4	4222 459 51901	Food separator **	
5	4222 459 51791	Basket	Lavender
5	4203 036 04821	Basket	White Lavender
6	4203 036 04851	Basket holder	
7	4203 036 06521	Rubber foot	
8	4203 036 05671	Top cover *	Lavender HV
8	4203 036 05681	Top cover *	Lavender 110V TW only
9	4222 459 53251	Stainless steel timer	HV
9	4222 459 55371	Stainless steel timer	LV
10	4203 036 09071	Fuse incl. wires	TW
10	4222 459 55381	Fuse incl. wires (new Fuse pos.)	
11	4203 036 05331	Fan	50 Hz
11	4203 036 05341	Fan	60 Hz
12	4203 036 09101	Heating element	HV 50 Hz
12	4203 036 09131	Heating element	110V 60Hz (TW)
13	4222 459 51831	Base	White EU plug
13	4203 036 04941	Base	White EU plug
13	4203 036 04981	Base	White UK/MEA plug
13	4203 036 04991	Base	White Swiss plug
13	4203 036 05031	Base	White Australia plug
13	4203 036 05071	Base	White South Africa plug
13	4203 036 05091	Base	White Argentina plug
13	4203 036 05101	Base	White 110V Taiwan plug
13	4203 036 05131	Base	White 220V China plug
13	4222 459 55581	Base	White Thai plug
14	4222 459 53071	Thermostat assy incl. knob	Lavender
15	4203 036 04871	Motor fan assy	HV 50 Hz
15	4203 036 04881	Motor fan assy	HV 60 Hz
	4203 036 04891	Motor fan assy	110V 60 Hz (TW)
	4203 036 04901	Motor fan assy	CN
16	4222 459 52761	Baking dish	
	4222 459 51851	10 pieces of 2 wire crimp housing (CE-2)	
	4222 459 51891	10 pieces of 2 wire crimp housing (CE-5)	

double layer accessory: 4203 036 05171 HD9904/00 EU  
 4222 459 02931 HD9904/00 CN version

QC Basket: 4203 036 08751 (beige/lavender)

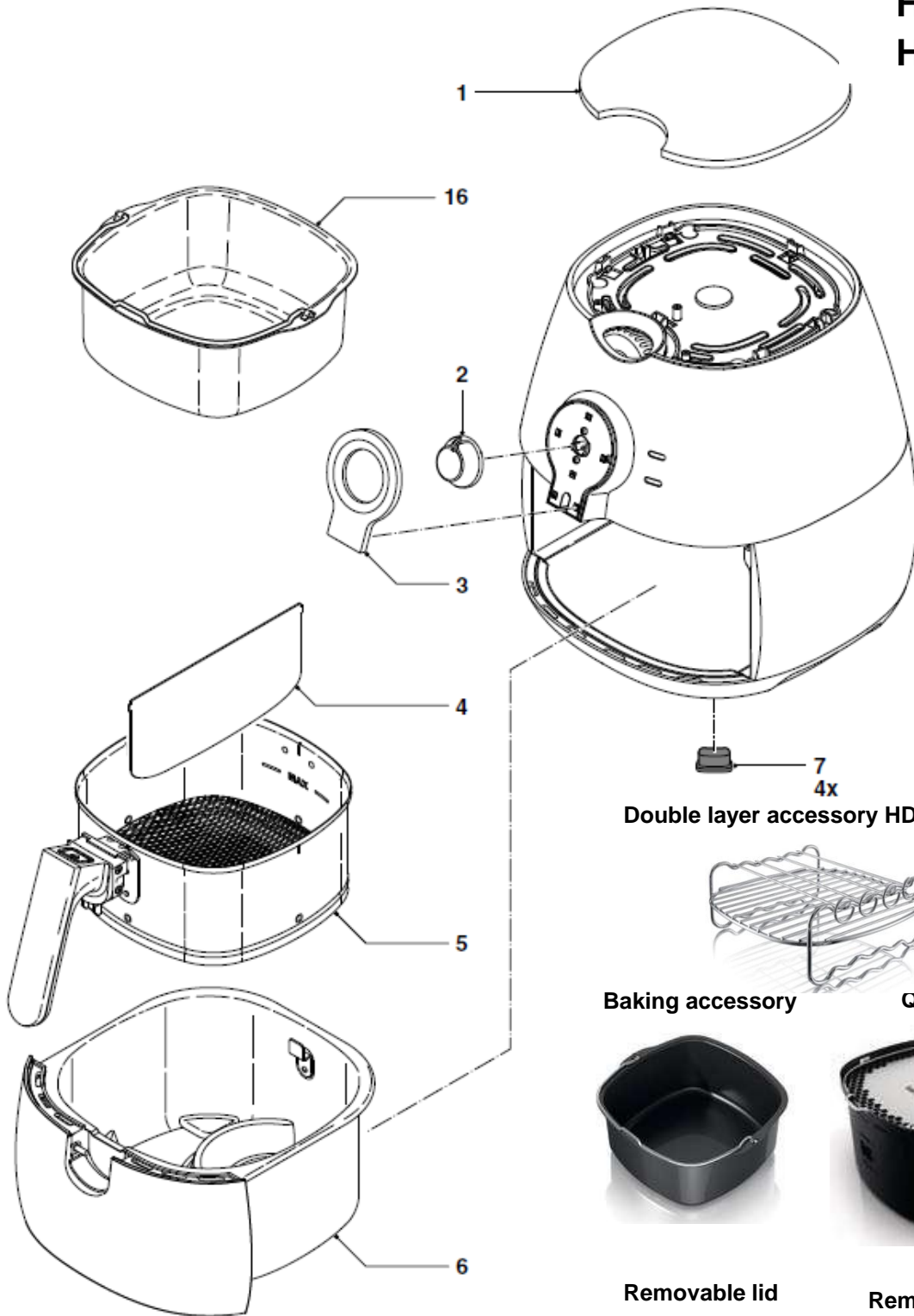
Removable mesh: 4203 036 07551

Removable lid: 4203 036 07561

double layer accessory: 4203 036 04141 HD9904/00

# EXPLODED VIEW

HD9220/40  
HD9220/42  
HD9220/43  
HD9220/44



Double layer accessory HD9904/00

Baking accessory

QC basket

Removable lid

Removable mesh





# EXPLODED VIEW

HD9220/40

HD9220/42

HD9220/43

HD9220/44

