



Philips Domestic Appliances and Personal Care

Service Manual

PRODUCT INFORMATION

General

- Mains operated Epilator

Safety

- This product meets the requirements regarding interference suppression on radio and TV.
- After the product has been repaired, it should function properly and has to meet the safety requirements as officially laid down at this moment.

TECHNICAL INFORMATION

- Type : AC (mains operated)
- RPM : speed 1 - 1900 rpm
speed 2 - 2200 rpm
- Number of catching points : 20
- Pulling actions / second : speed 1 - 633,
speed 2 - 733
- Voltage : Pri. : 100 - 127 V - AC or
220 - 240 V - AC
: Sec. : 12V - 400 mA
- Frequency : 50 - 60 Hz
- Power consumption : 5 W

DISASSEMBLY- AND RE-ASSEMBLY ADVISE

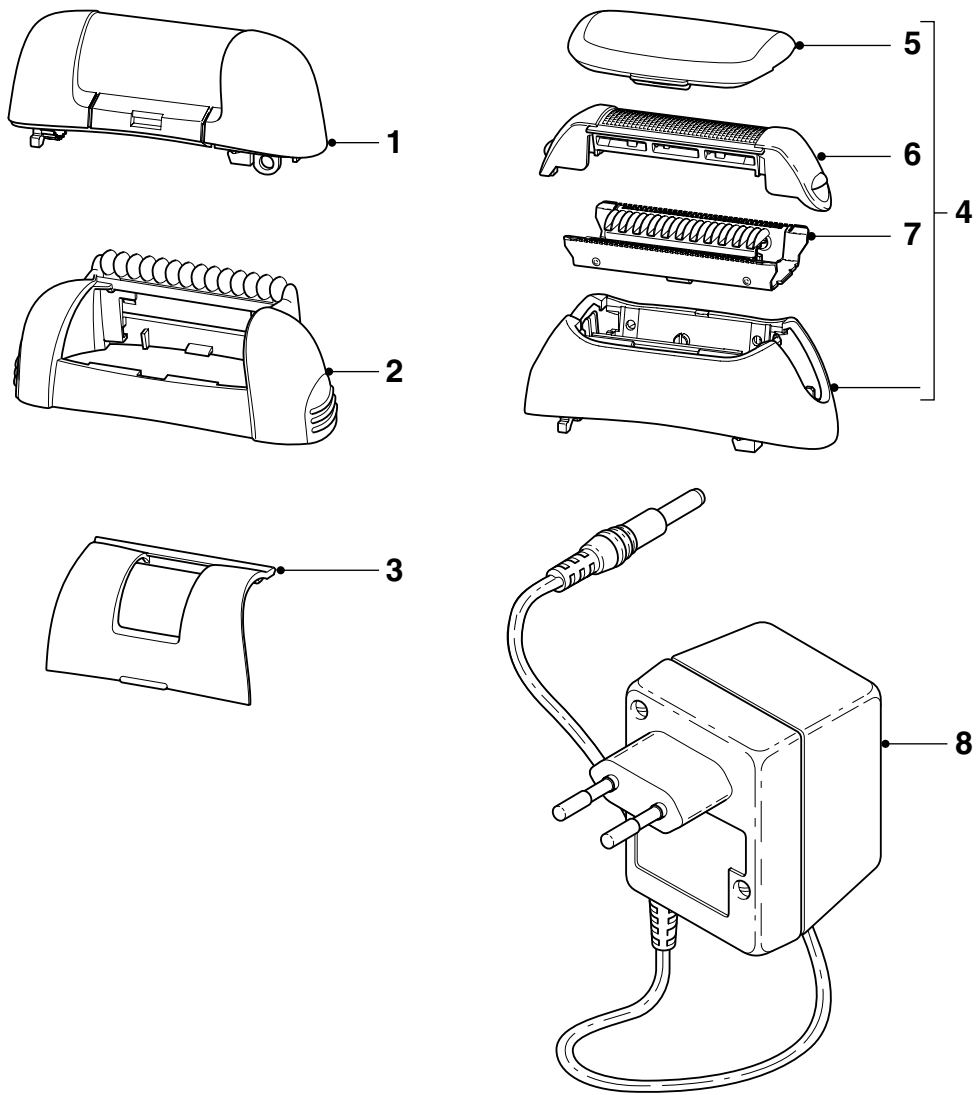
- No specific issues.

REPAIR INSTRUCTION

- For this Epilator only the parts shown in the exploded view will be supplied.

OPTIONAL (accessories)

- No specific issues.



Pos	Service code	Description
1	4203 035 50350	Epilating Unit
2	4203 035 52220	Massage Cap
3	4203 035 52210	Sensitive Cap
4	4203 035 50380	Shaving head complete
5	4203 035 70620	Protection Cap
6	4203 035 78780	Shaving Foil
7	4822 690 10067	Cutter

Pos	Service code	Description
8	4203 035 77660	Adapter EU
	4203 035 77670	Adapter UK
	4203 035 77680	Adapter JPN
	4203 035 77690	Adapter UNI
	4203 035 77700	Adapter PRC
	4203 035 77710	Adapter Brazil
	4203 035 77720	Adapter Argentina
	4203 035 77730	Adapter AUS / NZ
	4203 035 77740	Adapter KOREA