

**Philips Consumer Lifestyle**

# Service Manual

**PRODUCT INFORMATION****General**

- Mains operated Epilator

**Safety**

- This product meets the requirements regarding interference suppression on radio and TV.
- After the product has been repaired, it should function properly and has to meet the safety requirements as officially laid down at this moment.

**TECHNICAL INFORMATION**

- Type : AC (mains operated)
- RPM : speed 1 - 2000 rpm  
speed 2 - 2400 rpm
- Number of catching points : 20
- Pulling actions / second : speed 1 - 633,  
speed 2 - 733
- Voltage : Pri. : 110 - 220 V - AC  
: Sec. : 13V - 400 mA
- Frequency : 50 - 60 Hz
- Power consumption : 7,5 W

**DISASSEMBLY- AND RE-ASSEMBLY ADVISE**

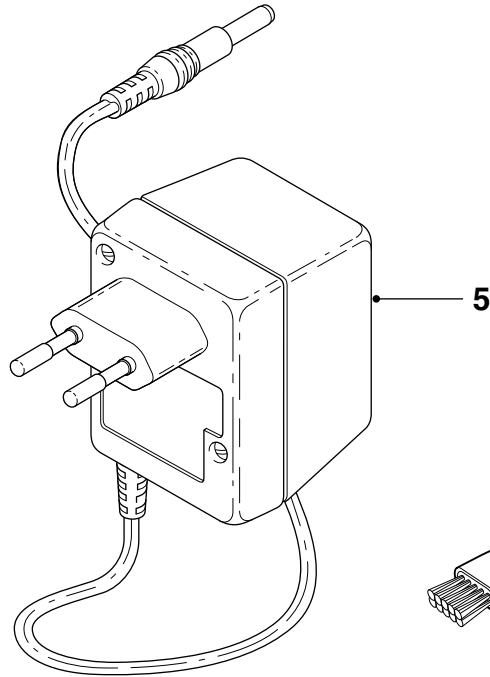
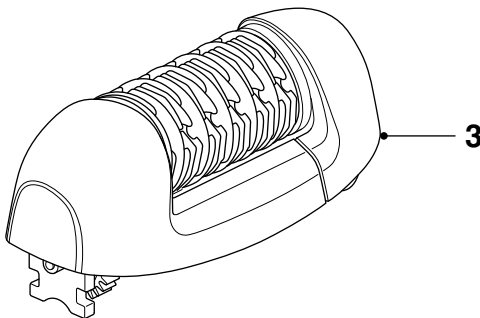
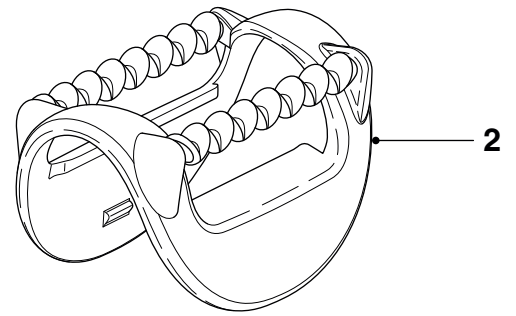
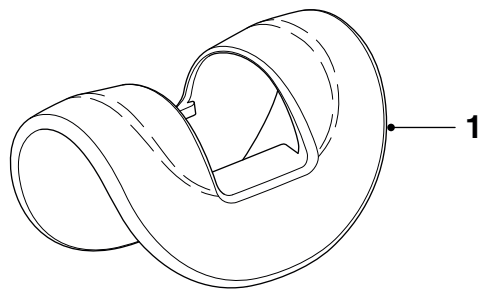
- No specific issues.

**REPAIR INSTRUCTION**

- For this Epilator only the parts shown in the exploded view will be supplied.

**OPTIONAL (accessories)**

- No specific issues.



Pos	Service code	Description	Model-Nr.
1	4203 035 86980	Sensitive Cap	
2	4203 035 87020	Two Roller Massage Cap	
3	4203 035 50870	Epihead Assy	
4	4822 479 30183	Brush (Philishave) black	
5	4203 035 83550	Adapter SMPS - MX	SSW-2082US
	4203 035 51870	Adapter SMPS - KR	SSW-2082KR
	4203 035 51890	Adapter SMPS - AUS	SSW-2082AU
	4203 035 51900	Adapter SMPS - GB	SSW-2082UK
	4203 035 55100	Adapter SMPS - CA	SSW-2082US
	4203 035 83540	Adapter SMPS - TW	SSW-2082US
	4203 035 51830	Adapter SMPS - CN	SSW-2082CN
	4203 035 51810	Adapter SMPS - EU	SSW-2082EU
	4203 035 51760	Adapter SMPS - JP	SSW-2082US
	4203 035 51860	Adapter SMPS - AR	SSW-2082AR