

**Philips Domestic Appliances and Personal Care**

Service Manual

PRODUCT INFORMATION**General:**

- Rechargeably / Mains operation
- World-wide automatic voltage selection
- Electronic on/off button
- Washable

Safety information

- This product meets the requirements regarding interference suppression on radio and TV.
- After the product has been repaired, it should function properly and has to meet the safety requirements as officially laid down at this moment.

TECHNICAL INFORMATION

- Voltage : 100 - 240 Volt / 50- 60 Hz
- Motor voltage : 3,6 Volt
- Shaving heads : HQ9 - 4222 036 11150
- Battery : Li-ion
- Display : Multi-purpose LCD
- SAP coding : HQ9170

Shaving Performance:

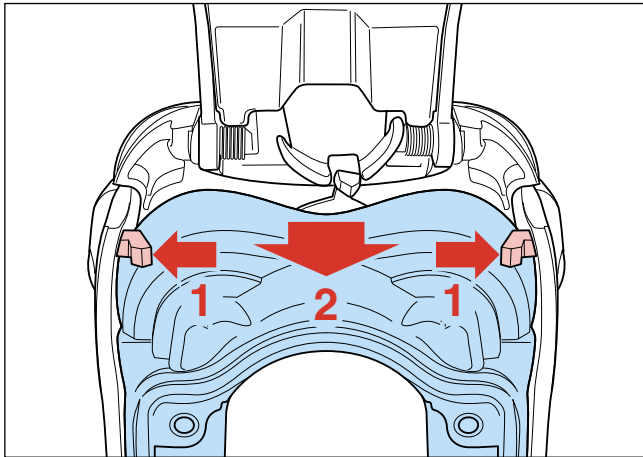
If customers complain about poor shaving performance of the triple-track shaving heads, replacing the driving unit is recommended.

DISASSEMBLY- AND RE-ASSEMBLY ADVICE

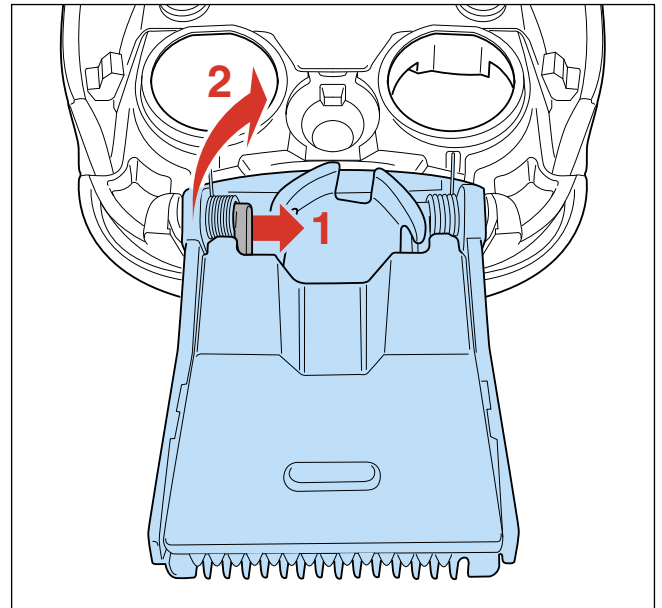
HQ9170

Disassembly:

- Remove shaving unit, to prevent damaging during repairing.
- Remove the two screws (A) on the backside of the shaver.
- Remove the three screws (B) from the innerhousing.
- Remove the mains from the motor by turning and pulling the wires out of the motor.
- Remove the two screws (C) for the hairchamber.



- Bent the sideflaps outside and remove the hairchamber. Think by placing this sideflaps on the nocks.
- Remove driving unit.



- Remove the trimmer from the hairchamber by pushing the black nock by a small screwdriver inside the spring, to the inside.

REPAIR INSTRUCTION

- No specific issues

OPTIONAL (accessories)

- Pouch : 4222 036 11560
- Stand : 4222 036 11030
- Car cord : 4222 036 08920
- Washing machine Jet clean II : 4222 036 14000

PARTS LIST

Pos	Service code	Description
1	4222 036 11420	Housing shell assy
2	4222 036 11030	Stand
3	4222 036 04080	Power plug EUR
	4222 036 04090	Power plug GBR
	4222 036 05110	Power plug Can/Tw/Ven
	4222 036 03870	Power plug JAP
	4222 036 04850	Power plug KOR
	4222 036 05120	Power plug AUS/NZ
	4222 036 04040	Power plug PRC
	4222 036 03810	Power plug MEX
4	4222 036 11100	Protection cap Quasar
5	4222 036 11110	Bracket assy
6	4222 036 02770	Brush
7	4222 036 11150	Shaving head 9-series
8	4222 036 11170	Power supply

Pos	Service code	Description
9	4222 036 11220	Holder assy
10	4222 036 11230	Contour following pin
11	4222 036 11400	Sidegrip assy
12	4222 036 11250	Driving unit 3,6 V
13	4222 036 11270	Trimmer assy
14	4222 036 11280	Spacer Li-ion A
15	4222 036 11290	Li-ion battery
16	4222 036 11300	Inlet connector BB
17	4222 036 11310	Cover assy
18	4222 036 11440	Cover shell
A	4822 502 14545	Screw
B	4222 036 11480	Screw (BBM)
C	4222 036 11490	Screw
	4222 036 11560	Pouch
	4222 036 10860	Clock

