



HR1853/55



HR1854/00

Philips Consumer Lifestyle

Service Manual

PRODUCT INFORMATION**Features**

- 750 ml Juice Jug
- 1,5 L Pulp Container
- 2 speeds for soft and hard fruits and vegetables

Safety

- This product meets the requirements regarding interference suppression on radio and TV.
- After the product has been repaired, it should function properly and has to meet the safety requirements as officially laid down at this moment.

TECHNICAL INFORMATION

- Voltage : 220 - 240 V / 50 - 60 Hz
- Motor power consumption : 550 W
- Cordlength (free length) : 1.0 m
- Product size:
 - Length : 300 mm
 - Width : 215 mm
 - Height : 375 mm
- Weight : 3300 g

DISASSEMBLY- AND RE-ASSEMBLY ADVISE

- No specific issues.

REPAIR INSTRUCTION

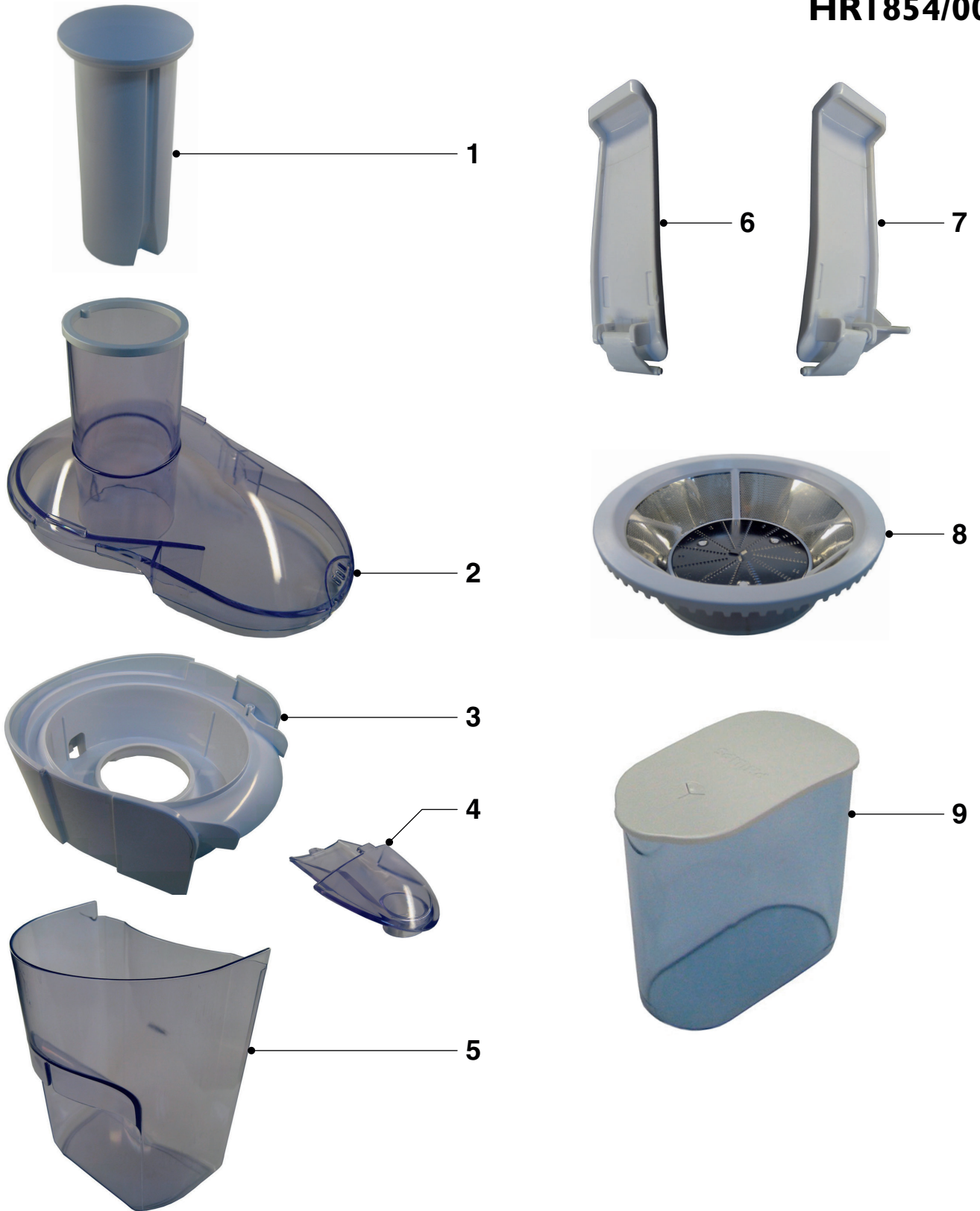
- No specific issues.

OPTIONAL (accessories)

- No specific issues.

PARTS LIST & EXPLODED VIEW

**HRI853/55
HRI854/00**

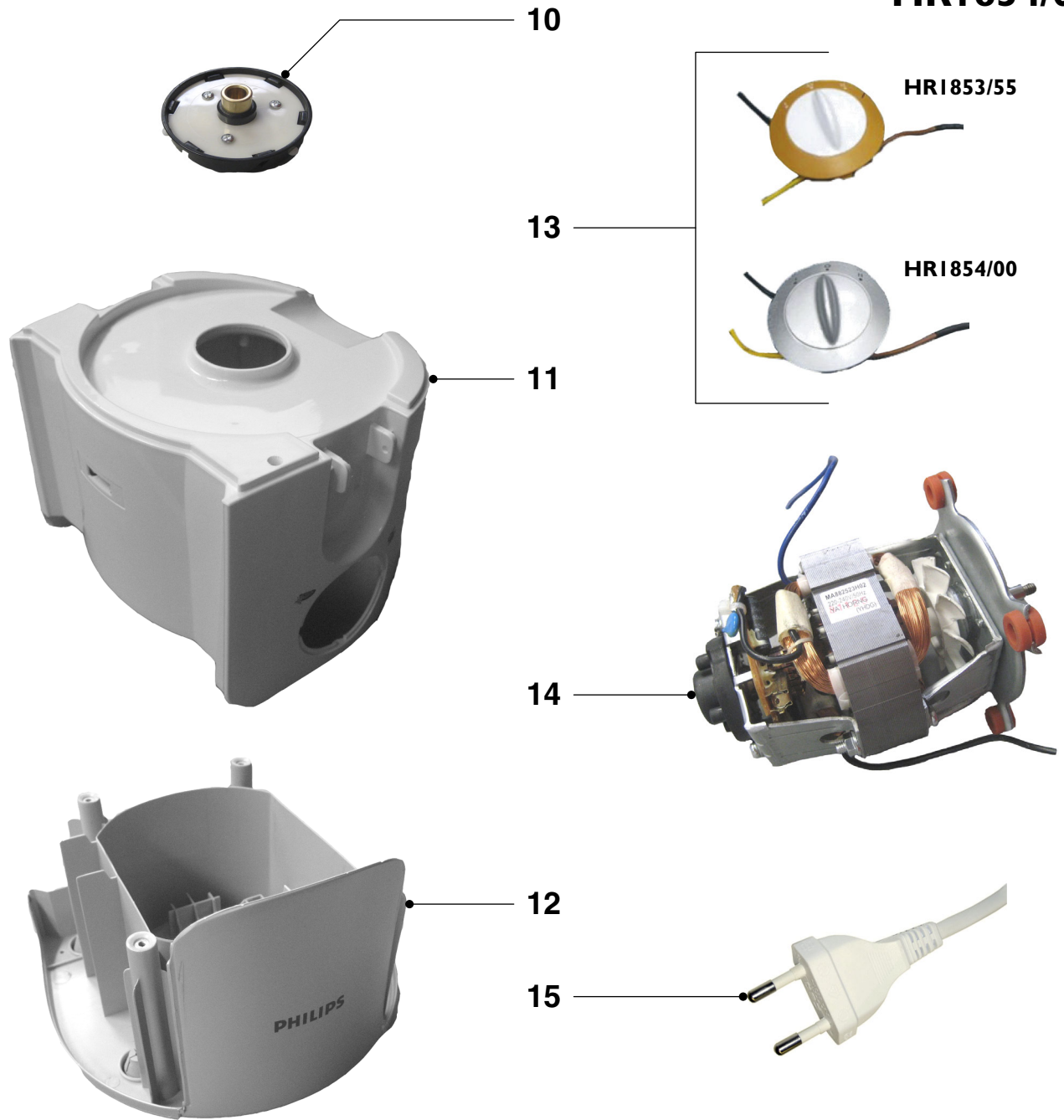


Pos	Service code	Description
1	4203 035 82330	Pusher
2	4203 035 82340	Juicer Lid
3	4203 035 82360	Juicer Tray
4	4203 035 82370	Juicer Spout
5	4203 035 82400	Pulp Container

Pos	Service code	Description
6	4203 035 82380	Locking Latch - Back Side
7	4203 035 82390	Locking Latch - Switch Side
8	4203 035 82350	Sieve
9	4203 035 82410	Juice Jug

PARTS LIST & EXPLODED VIEW

HRI853/55
HRI854/00



Pos	Service code	Description	
10	4203 035 90320	Driving Coupling Assy White	
11	4203 035 91160	Housing Assy	HRI853/55
	4203 035 90330	Housing Assy	HRI854/00
12	4203 035 90340	Bottom + Studs	HRI853/55
	4203 035 90350	Bottom + Studs	HRI854/00
13	4203 035 90360	Switch Knob Assy + Wires	HRI853/55
	4203 035 90370	Switch Knob Assy + Wires	HRI854/00
14	4203 035 90380	Motor Assy WEu + Shock Absorbers	
	4203 035 93421	Motor Assy CN + Shock Absorbers	
15	4203 035 90400	Cordset WEu	
	4203 035 90410	Cordset UK (not shown)	
	4203 035 93431	Cordset CN (not shown)	

■ = changed