



HR1853/55

HR1854/00

Philips Consumer Lifestyle

Service Manual

PRODUCT INFORMATION

Features

- 750 ml Juice Jug
- 1,5 L Pulp Container
- 2 speeds for soft and hard fruits and vegetables

Safety

- This product meets the requirements regarding interference suppression on radio and TV.
- After the product has been repaired, it should function properly and has to meet the safety requirements as officially laid down at this moment.

TECHNICAL INFORMATION

- Voltage : 220 - 240 V / 50 - 60 Hz
- Motor power consumption : 550 W
- Cordlength (free length) : 1.0 m

DISASSEMBLY- AND RE-ASSEMBLY ADVISE

- No specific issues.

REPAIR INSTRUCTION

- No specific issues.

OPTIONAL (accessories)

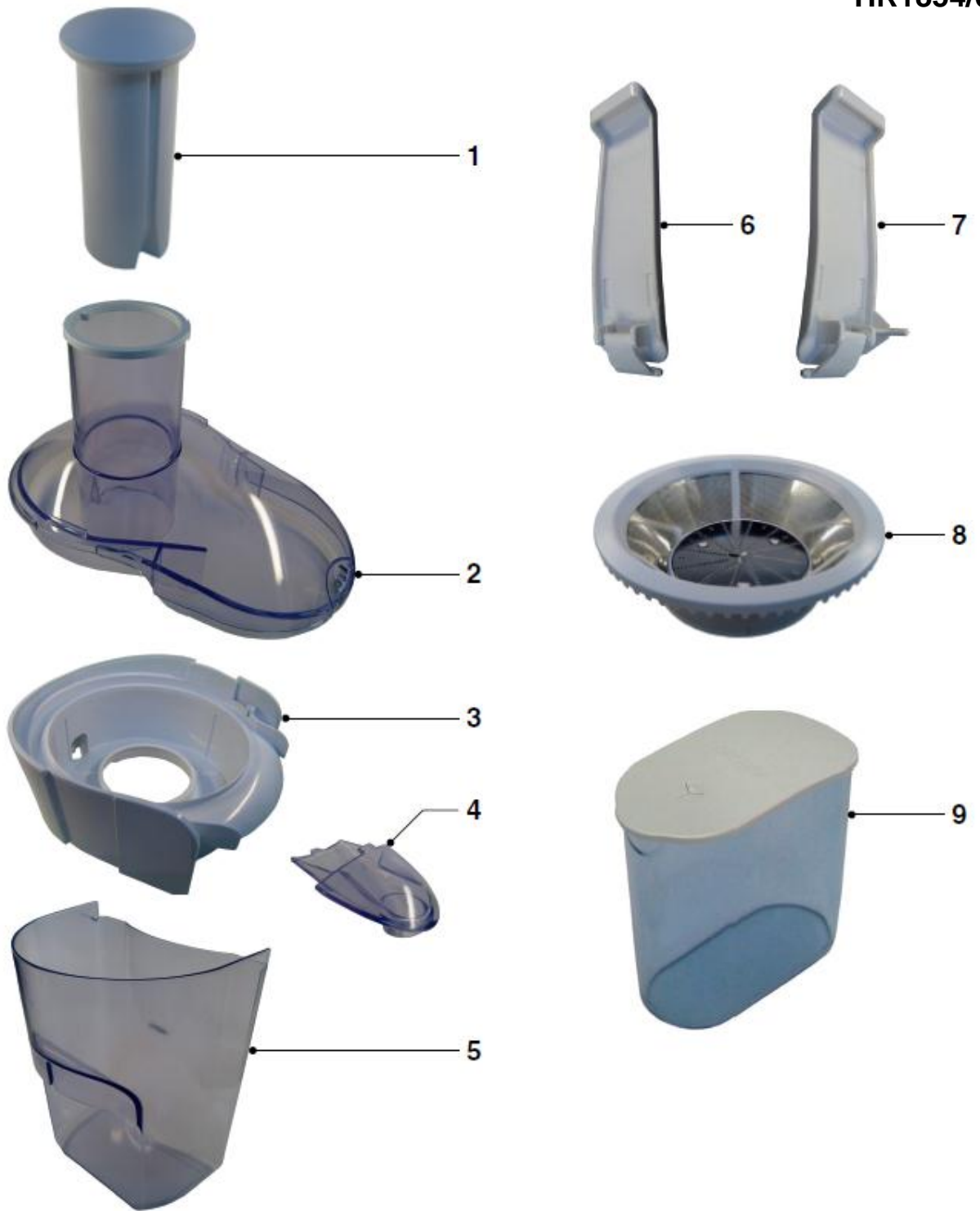
- No specific issues.

Speeds:

- 1: 9000 – 11050 rpm
- 2: 11000 – 14000 rpm

PARTS LIST & EXPLODED VIEW

HR1853/55
HR1854/00

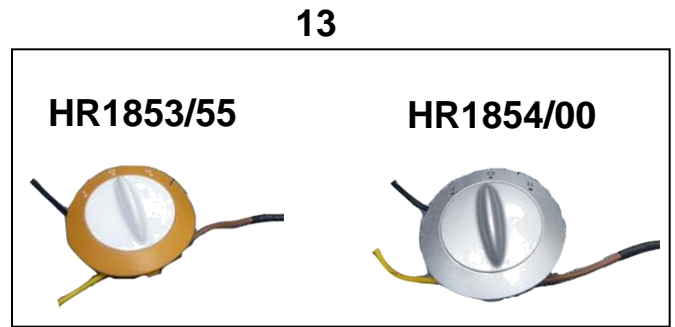
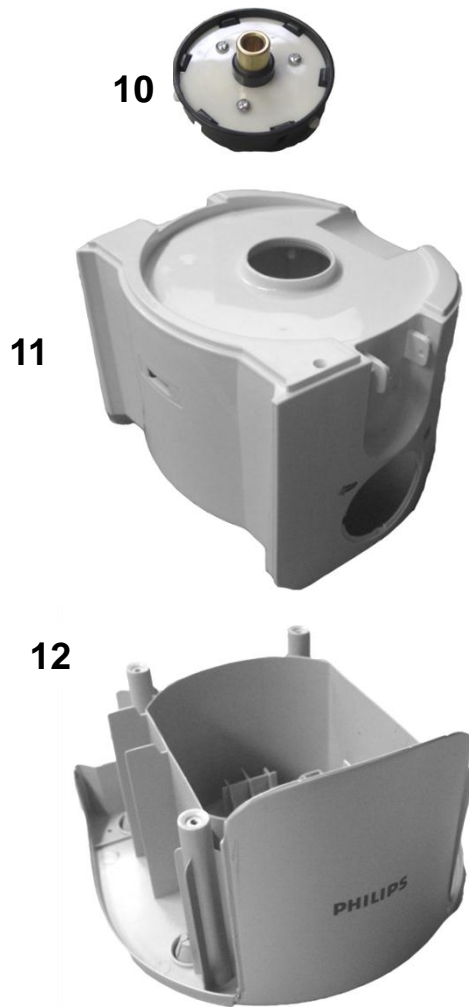


Pos	Service code	Description
1	4203 035 82330	Pusher
2	4203 035 82340	Juicer Lid
3	4203 035 82360	Juicer Tray
4	4203 035 82370	Juicer Spout
5	4203 035 82400	Pulp Container

Pos	Service code	Description
6	4203 035 82380	Locking Latch - Back Side
7	4203 035 82390	Locking Latch - Switch Side
8	4203 035 82350	Sieve
9	4203 035 82410	Juice Jug

Parts List & exploded view

HR1853/55
HR1854/00



Pos	12 NC	Description	
10	4203 035 90320	Driving coupling assy white	
11	4203 035 90330	Housing Assy	HR1854
	4203 035 91160	Housing Assy	HR1853
12	4203 035 90340	Bottom + Studs	HR1853
	4203 035 90350	Bottom + Studs	HR1854
13	4203 035 90360	Switch knob assy + wires	HR1853
	4203 036 07071	Switch knob assy + wires	HR1854 (from production week 2013/01 onwards)
	4203 035 90370	Switch knob assy + wires	HR1853
	4203 036 07081	Switch knob assy + wires	HR1854 (from production week 2013/01 onwards)
14	4203 035 90380	Motor Assy (HV) + shock absorbers	
	4203 035 93421	Motor CN	
15	4203 035 90400	Cordset WEu	
	4203 035 90410	Cordset UK	