

Service  
Service  
Service



Philips Consumer Lifestyle

# Service Manual

## PRODUCT INFORMATION

### Features

- Powerful 1200 W commercial grade motor
- Extra wide feeding tube chute system
- Heavy duty die cast metal base
- Durable stainless steel parts
- Juicer faster - no cutting if fruit or vegetables required
- Micro mesh filter system - up to 50 % more juice than standards
- 2 speed electronic control
- Commercial standard « OFF » button
- Easy to clean
- 15 year motor warranty \*
- 2 year product warranty \*
- \* *The warranty is only applicable in Australia and New Zealand*
- Recipe booklet

### Accessories

- Cleaning brush
- Recipe book

### Safety

- This product meets the requirements regarding interference suppression on radio and TV.
- After the product has been repaired, it should function properly and has to meet the safety requirements as officially laid down at this moment.

## TECHNICAL INFORMATION

- Power : 1200 W
- Frequency : 50 / 60 Hz
- Speed : 2 speed
  - 1 - 6000 rpm
  - 2 - 8000 rpm
- Pulp Container : 2500 ml
- Juicer Jug (incl. Foam separator) : 1500 ml
- Power cordset length : 1,2 m
- Product size:
  - Length : 320 mm
  - Width : 220 mm
  - Height : 415 mm  
(with food pusher)
- Weight : < 7,5 kg

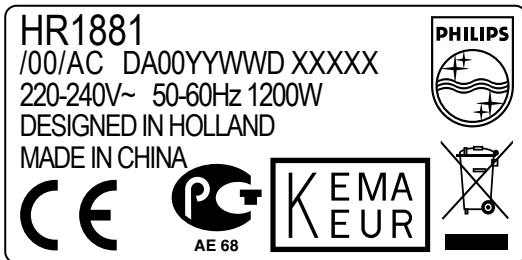
### Design specifications:

- Main Housing : Material : Aluminum Die Cast  
Surface treatment : brushed & lacquered
- Juicer Collector/Tray : ABS
- Juicer Lid : SAN
- Pusher : ABS
- Pulp Container : PP
- Sieve : Stainless steel
- Sieve Coupling : PPO
- Jug : SAN
- Jug Lid : SAN
- Foam Separatoor : SAN
- Cleaning Brush : PP (black)

## REPAIR INSTRUCTIONS

### Serial number explanation:

The serial number can be identified on the typeplate sticker.  
See example below.



Unique appliance ID combined with production date:  
DA00YYWWD XXXXX

- DA (Domestic Appliances)
- 00 (used for major technical changes)
- YY (Year)
- WW (Week)
- D (Day / 1 = Monday)
- XXXXX (serial number, 5-digits starting at 0001 at first day of each production week)

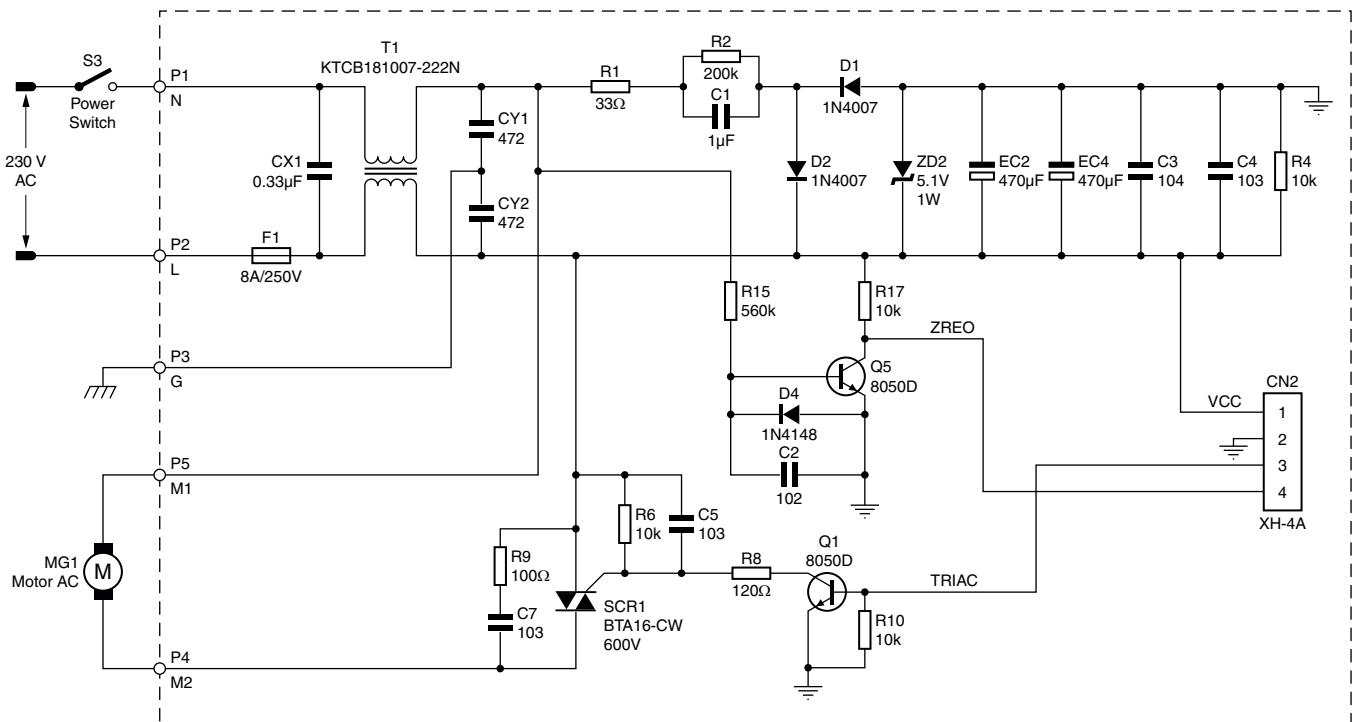
## DISASSEMBLY- AND RE-ASSEMBLY ADVISE

- No specific issues

## OPTIONAL (accessories)

- No specific issues

## WIRING DIAGRAM



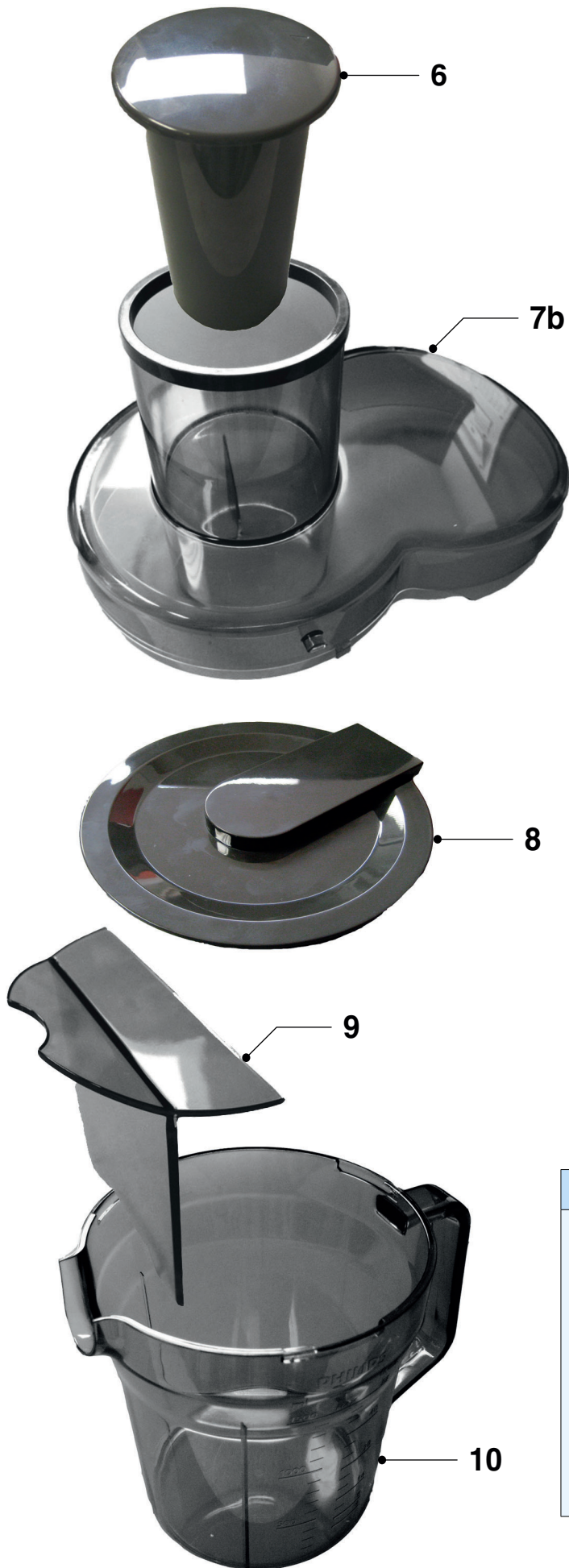


2a (7a) 4203 035 93191  
used till  
Prod. Week 1026

Drip stopper

Pos	Service code	Description
1	4203 035 89220	Sieve Assy
2a	4203 035 93191	Tray assy + Juicer Lid (use till prod. Week 1026)
2b	4203 035 93201	Tray Assy new (use from prod. Week 1027 onwards)

Pos	Service code	Description
3	4203 035 89240	Spout assy
4	4203 035 89250	Power Unit WEu
	4203 035 89260	Power Unit GB
5	4203 035 89270	Pulp Container



7a (2a) 4203 035 93191  
used till  
Prod. Week 1026



Pos	Service code	Description
6	4203 035 89280	Pusher assy
7a	4203 035 93191	Tray assy + Juicer Lid (use till prod. Week 1026)
7b	4203 035 93211	Lid new (use from prod. Week 1027 onwards)
8	4203 035 89300	Jug Lid
9	4203 035 89310	Foam Separator
10	4203 035 89320	Jug
11	4203 035 89330	Pipe brush
12	4203 035 89340	Round brush



**1. step: remove of rubber-feet**

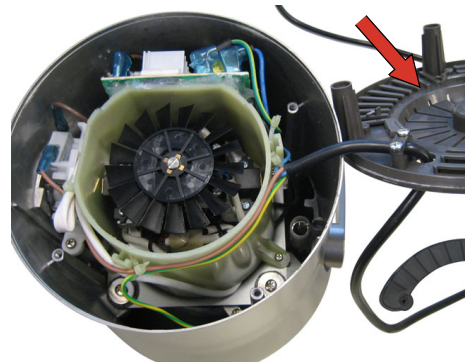
Open the 4 screws on the bottom side to remove the rubber feet. Use a philips screw driver.



Unscrew the motor tube inside.



Now you can remove the bottom.



**2. step: remove bottom**

Open the 4 screws on the bottom side with a philips screw driver.



**3. step: now you can check the motor.**

