



Philips Consumer Lifestyle

# Service Manual

## PRODUCT INFORMATION

- The appliance has been equipped with a built-in safety lock, that prevents it from functioning, if the accessories have been assembled incorrectly, or have not been assembled at all.
- This product meets the requirements regarding interference suppression on radio and TV.
- After the product has been repaired, it should function properly and has to meet the safety requirements as officially laid down at this moment.

- Weight in fancy box : 1.48 kg
- Dimensions fancy box : 220 x 120 x 280 mm (l x w x h)
- Colour appliance : white / cornhusk yellow

## TECHNICAL INFORMATION

- Motor : universal, radio / TV interference suppressed
- Power consumption : 220 Watt max.
- Voltage & frequency : 220 V, 50 Hz
- Cordset : 150 cm, double insulated with moulded on plug
- Speed setting : 1 speed
- Blender capacity : total jar capacity 0.5 L, 0.4 L effective
- Mills capacity : total mill capacity 0.2 L, 0.1 L effective
- Speeds unloaded : blender drive shaft 24750 rpm (max)
- Dimensions
  - diameter : 93 mm
  - height without bowl : 140 mm
  - height with bowl and lid : 295 mm
- Weight
  - power unit : 710 g
  - power unit + bowl + lid : 920 g

## ASSEMBLY & DISASSEMBLY ADVICE

- The blender coupling (item 4) on the motor shaft has been provided with a customary left-handed thread. The blender coupling can be detached by means of a screwdriver. Block the rotor shaft (after removing the bottom) by sticking a screwdriver into the slot of the rotor shaft and remove the blender coupling by turning it right sides.

## REPAIR INSTRUCTION

### Automatic resettable cut-out

- This appliance is equipped with an automatic thermal cut-off system. This system will automatically cut off the power supply to the appliance in case of overheating.

### If your appliance suddenly stops running:

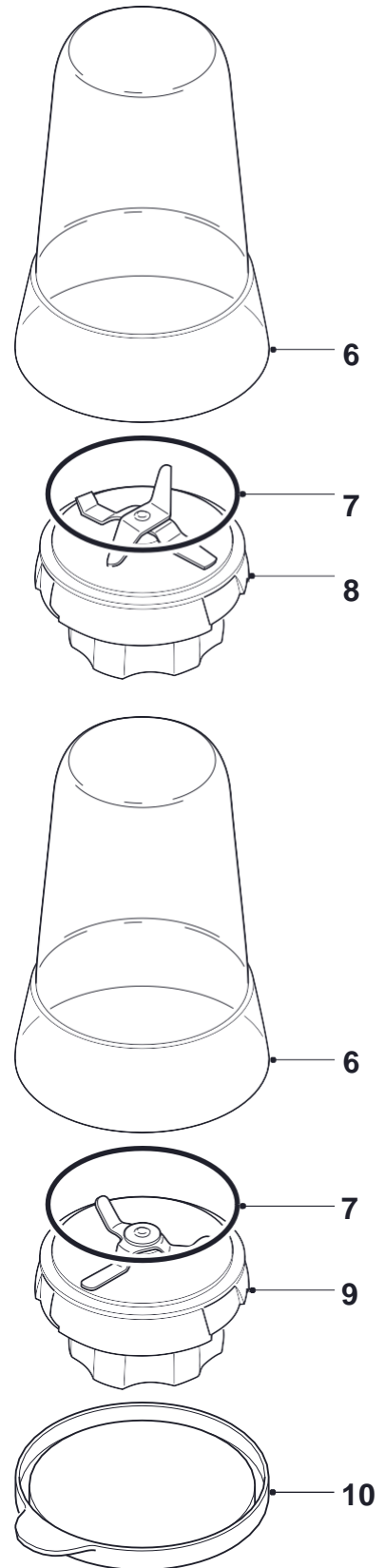
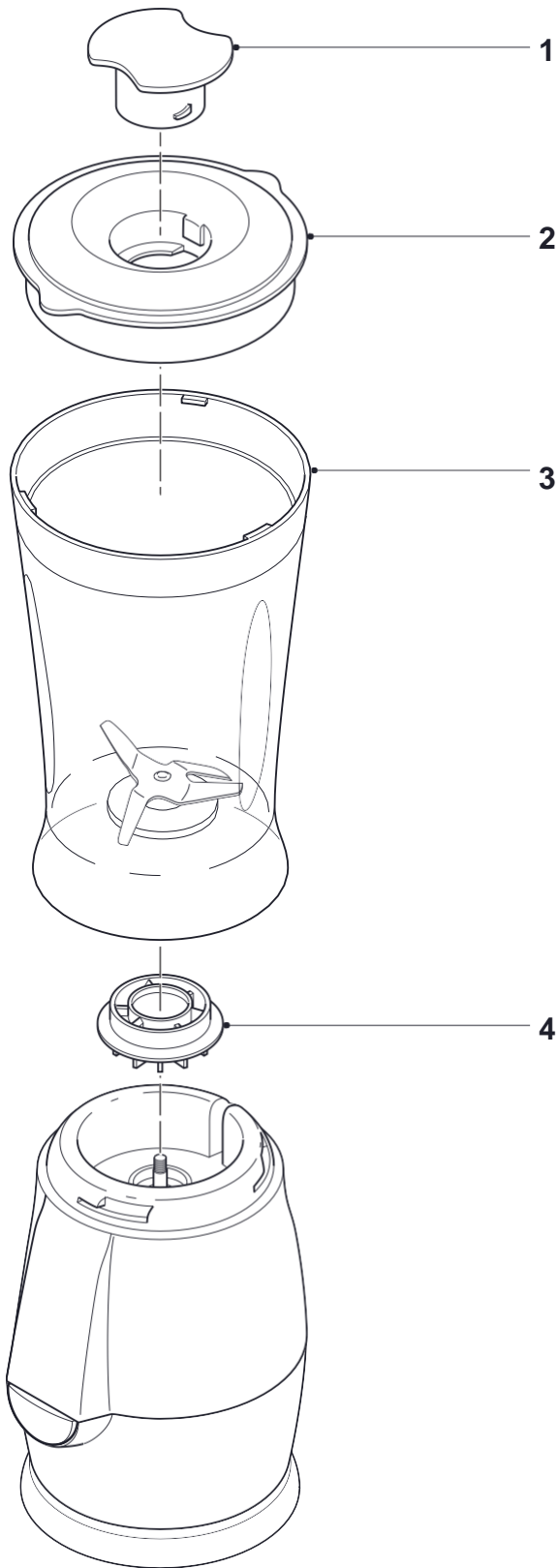
- Pull the mains plug out of the socket.
- Let the appliance cool down for 30 minutes.
- Put the mains plug into the socket.
- Switch the appliance on again.

### OPTIONAL (accessories)

- No specific issues

**PARTS LIST & EXPLODED VIEW**

**HR2860/55**

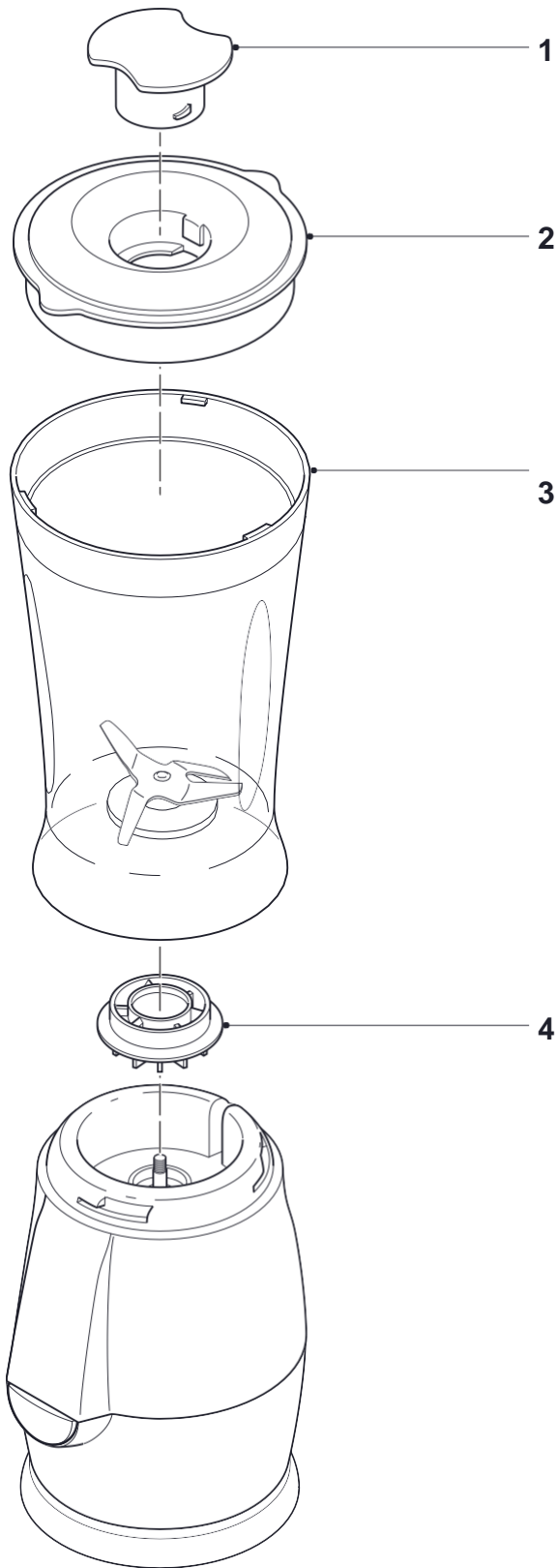


Pos	Service code	Description
1	9965 000 32172	Blender Cap
2	9965 000 32173	Jar Lid
3	4203 035 86240	Jar
4	4203 035 86250	Blender coupling

Pos	Service code	Description
6	9965 000 32177	Container
7	9965 000 32178	Sealing ring
8	4203 035 86760	Knife unit - wet mill
9	4203 035 86770	Knife unit - dry mill
10	9965 000 14370	Cover

**PARTS LIST & EXPLODED VIEW**

**HR2854/00**



Pos	Service code	Description
1	996510073924	Blender Cap
2	996510073919	Jar Lid
3	996500032174	Jar
4	996510073921	Blender coupling
5	996510071176	Power cord plug white Korea

## Version List

**HR2860/55**  
**HR2854/00**

Version A: initial release for HR2860/55.	01/17/2011
Version B: add HR2854/00 (Korea) into SM.	-----wk1534

