



Philips Domestic Appliances and Personal Care

Service Manual

PRODUCT INFORMATION

The food processor is equipped with mechanical and thermal safety switches.

Motor power	: 600 W
Voltage	: 220-240 V ; 50-60 Hz
	: 120 V ; 50-60 Hz
Cordset	: 125 cm
Speed settings	: 2 speeds + pulse
Speed unloaded	: acc. drive shaft 2150 rpm
Weight in fancy box	: 5400 g
Dimensions (l x w x h)	: 410 x 273 x 305

Automatic resettable cut-out (part of item 7)

To prevent damage due to overheating, the appliance has been equipped with an automatic cut-out system.

If the appliance overheats, this system will automatically cut off the power supply.

If the appliance suddenly stops running:

- Unplug the appliance
- Set the knob to position 0
- Let the appliance cool down for 15 minutes
- Plug the appliance in again
- Switch the appliance on again.

Safety lock (item 1)

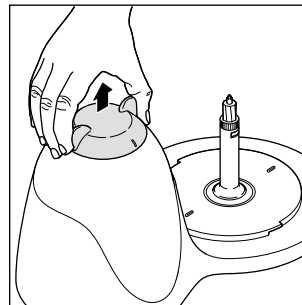
Place the lid on the bowl in the right position.

The appliance will only function if the arrow on the motor unit is directly opposite the mark on the lid.

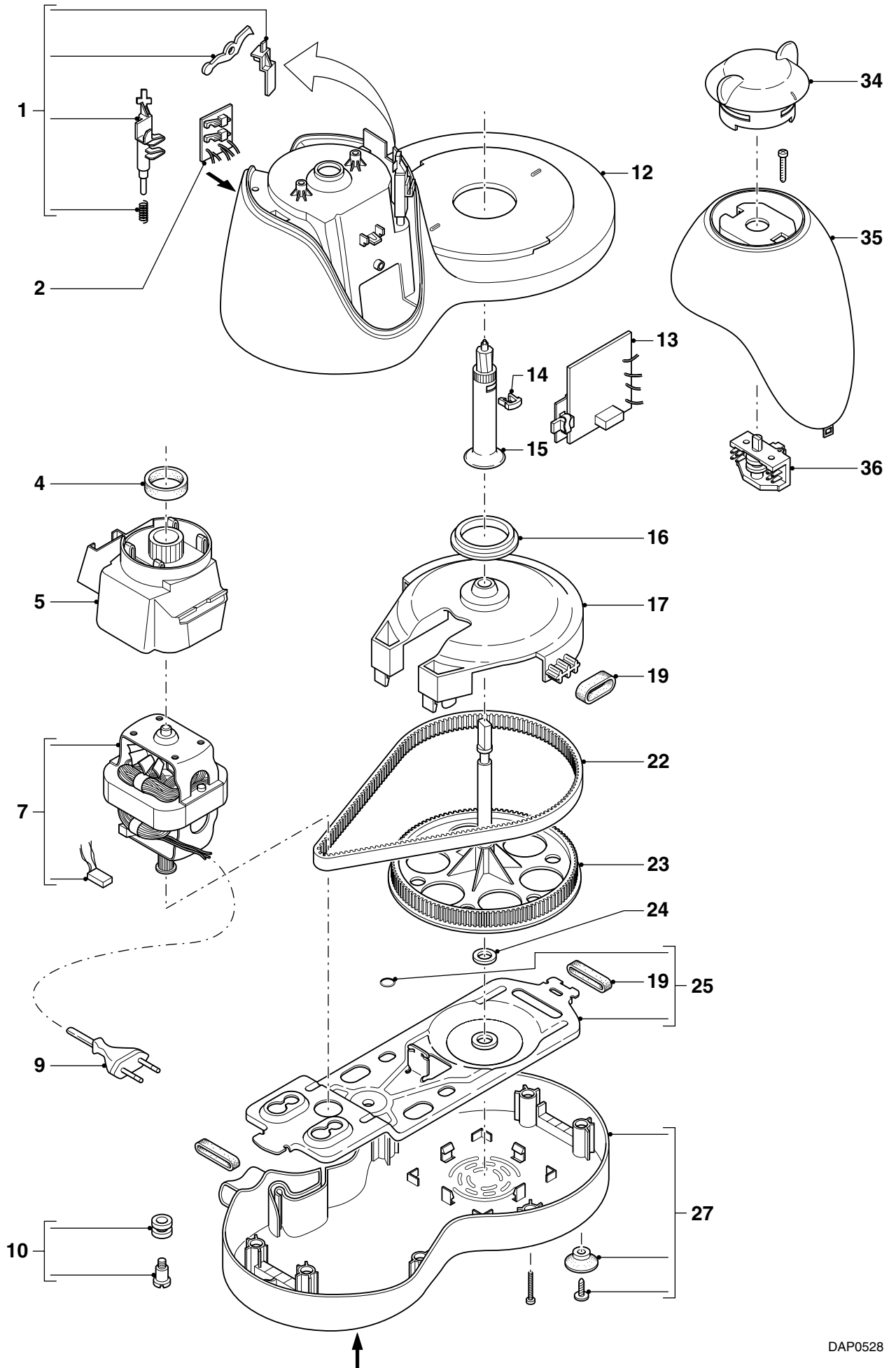
The built-in safety lock will now be deblocked and you can turn the appliance on.

SERVICE INFORMATION

- A separate drawing shows how to disconnect the speed selection knob.



- Top housing (item 35) can be removed by detaching the snap connections by sticking a pin (or a screwdriver) through the small round holes (3 mm dia.) in the bottom plate (item 27) and the housing (item 12). The arrows in the drawing show the locations of the holes.
- The accessory drive shaft (item 15) has a locking piece (item 14).
- The assembly of accessories depends on the national version.
- For specific versions, the component configuration may differ from the one shown on the exploded view. However, the actual components can be distinguished by their code numbers.
- Make sure that all functions, including the safety devices, are working correctly after you have completed the repair.



- 1 **4203 065 62010** print + switch lever assy
- 2 4822 214 12762 print plate brake
- 4 4822 532 13008 rubber piece
- 5 4822 462 11074 air tunnel
- 7 4822 361 11078 motor 230 V
- 4822 361 11079 motor 110 V
- 9 **4203 065 62020** flex
- 10 4822 502 14593 motor screw assy
- 12 **4203 065 62030** housing
- 13 4822 214 12765 print assy
- 14 **4203 065 62040** locking piece
- 15 **4203 065 62050** drive shaft
- 16 **4203 065 62070** rubber sealing ring
- 17 **4203 065 62060** locking plate
- 19 4822 530 10492 rubber tube
- 22 4822 358 10257 tooth belt
- 23 4822 522 10713 acc. drive wheel
- 24 4822 520 10851 bearing
- 25 4822 466 11947 mounting plate
- 27 **4203 065 62080** bottom assy
- 34 **4203 065 62090** switch knob
- 35 **4203 065 62100** top housing
- 36 4822 276 13975 switch assy

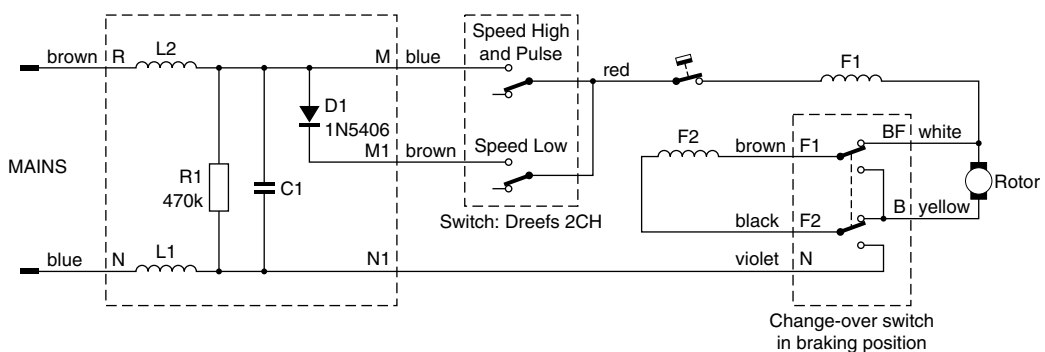
Direction For Use

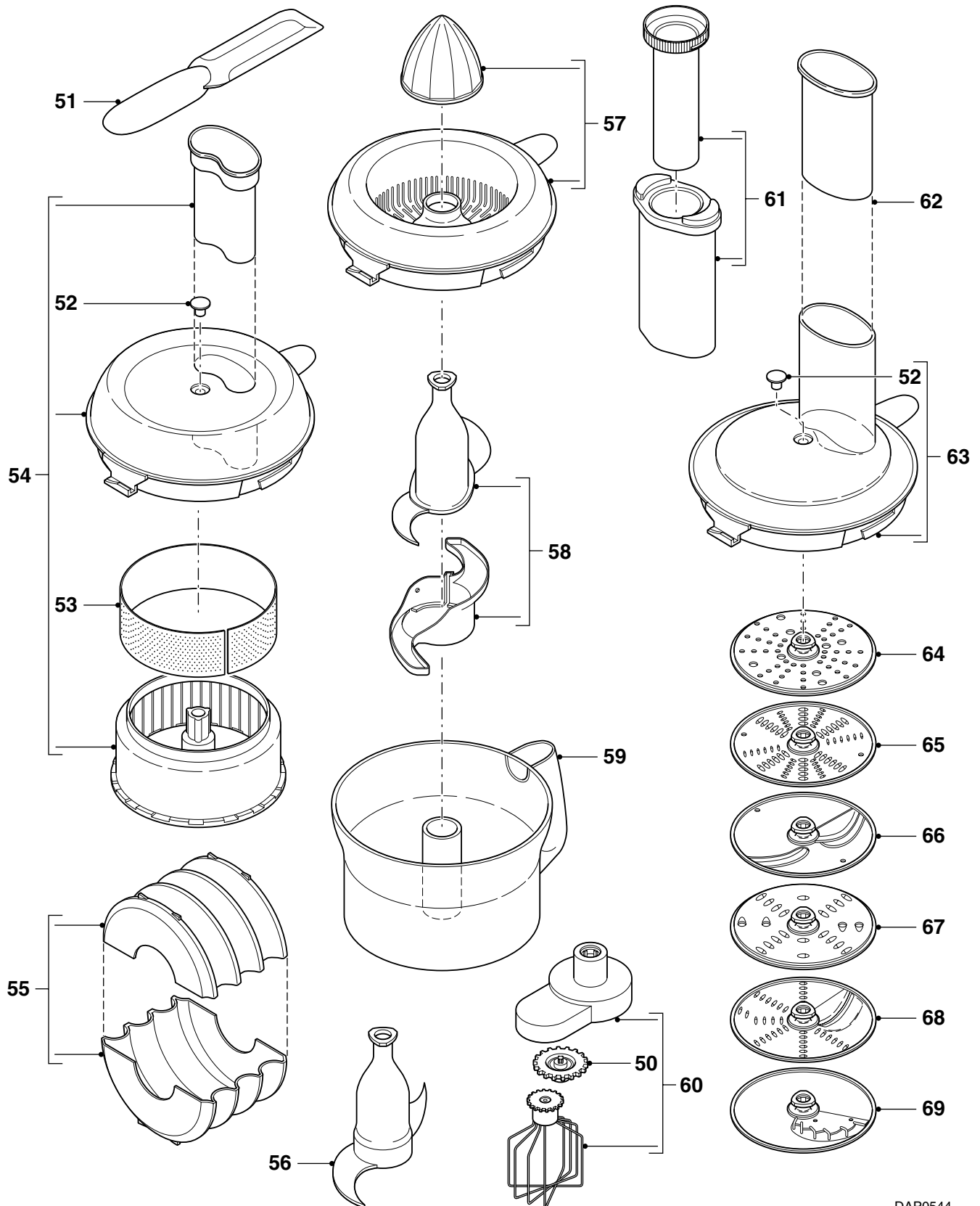
- 4203 064 11870 English, French, German, Dutch, Italian
- 4203 064 11940 East Europe
- 4203 064 11950 English, Swedish, Norwegian, Finnish, Arabic

East Europe	
English	Lithuanian
Russian	Latvian
Slovak	Estonian
Polish	Slovanian
Czech	Ukrainian
Hungarian	Croatian
	Rumanian

Product meets the requirements regarding interference suppression on radio and TV.

After the product has been repaired, it should function properly and has to meet the safety requirements as laid down officially established at this moment.





DAP0544

50	4203 065 62210	gear wheel of whisk	60	4203 065 61880	balloon beater (whisk)
51	4203 065 61990	spatula	61	4203 065 61870	double pusher (opt.)
52	4822 462 11083	insert of lid	62	4203 065 62000	mono pusher
53	4822 480 50477	sieve juice extr. (opt.)	63	4822 442 01336	bowl cover
54	4203 065 61810	juice extractor (opt.)	64	4203 065 61840	patato grating disc (opt.)
55	4203 065 61860	storage box (opt.)	65	4203 065 61960	grating disc (fine/very fine) (opt.)
56	4203 065 61940	kneading/mixing knife	66	4203 065 61950	slicing disc (fine/medium) (opt.)
57	4203 065 61820	citrus press (opt.)	67	4203 065 61970	grating disc (coarse/medium) (opt.)
58	4203 065 61930	metal knife	68	4203 065 61980	combi disc (slicing/grating)
59	4822 418 10343	bowl (dry 2.5 l)	69	4203 065 61830	french fries (opt.)