



Philips Consumer Lifestyle

Service Manual

PRODUCT INFORMATION

Features

- Extra Large feeding tube The XL feeding tube takes whole fruits and vegetables so you don't need to pre-cut them anymore.
- Large 3.4L bowl The large 3.4 L bowl allows for maximum volumes to be processed in 1 go: capacity for 2 L soup, 1.7 kg dough, 7 egg whites.
- 31 functions 7 tools for 31 different functions. They are: a SS blade for chopping, crumbling, cutting, mashing, mincing; a reversible slicing disk; a shredding disk for medium or fine shredding or grating; whisk accessory for whipping, whisking, emulsifying, stirring, mixing, creaming, beating; a kneading tool for heavy mixing, kneading, folding in; a blender for blending, crushing, foaming, grinding, (heavy) pureeing, homogenizing, liquidizing, milling, shaking, stirring, measuring; a citrus press for pressing citrus fruits.
- 700 W motor + 3 speed With the powerful 700 W motor plus 3 speed button you can adjust speed precisely to get desired results.
- Sturdy base The sturdy base comes with suction feet to ensure it does not move, even when you use it for heavy applications like kneading dough.

Accessories

- Chopping knife Chopping, beating, creaming, crumbling, cutting, folding in, mashing, mincing
- Kneading tool For kneading, heavy kneading, mixing dough, batter
- Whisk Accessory Whisking, whipping, mixing and emulsifying
- Reversible shredding disk For medium and fine shredding
- Reversible slicing disk For medium and fine slicing
- Break resistant blender For blending, crushing, foaming, grinding, pureeing, homogenizing, liquidizing, milling, shaking, stirring
- Citrus press For pressing of citrus fruits

Safety

- Automatic resettable thermal cut off Protecting the motor against overheating.
- Built-in safety lock Detects whether lid & bowl are assembled.
- Brake system Stops the accessories within 1,5 seconds.

SPECIFICATIONS**General specifications**

Integrated cord storage, Non-slip feet

Technical Specifications

- Cord length 1,20 m
- Voltage 220 - 240 V
- Frequency 50 - 60 Hz
- Bowl volume capacity dry 3,4 l
- Bowl working capacity liquid 2 l
- Bowl working capacity dough 1700 g
- Bowl working capacity flour 1000 g
- Blender working capacity 1,5 l
- Safety Lid & bowl detection, mechanical 1,5 sec brake
- Speeds 3 speed
- Function buttons Pulse, rotary

Design specifications

- Housing, bottom, speed knob, pusher ABS
- Toolholder PA + 30 %
- Disks, chopping blade Stainless steel
- Kneading tool, citrus press PP
- Colours Bright white, citrus yellow, paprika red, capoeira grey
- Bowl + lid, blender, inner pusher SAN
- Knife protection PET

Product size:

Length : 230 mm

Width : 230 mm

Height : 170/400 mm (with food pusher)

DISASSEMBLY- AND RE-ASSEMBLY ADVISE

- No specific issues.

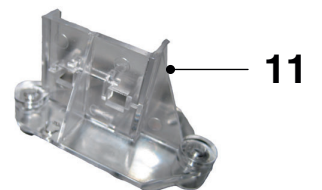
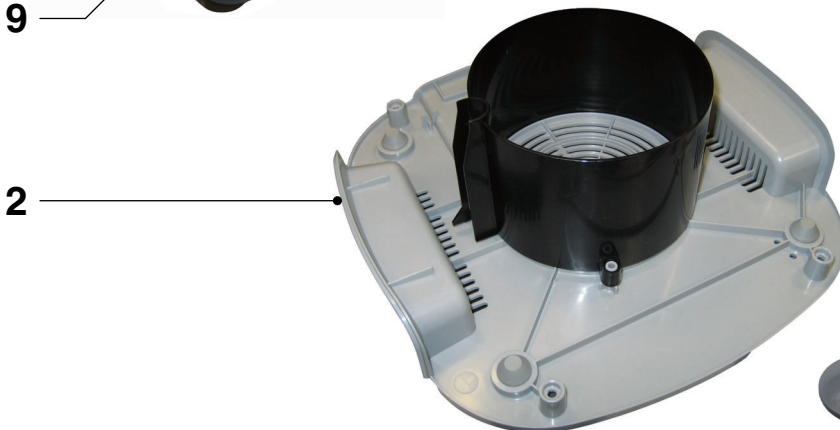
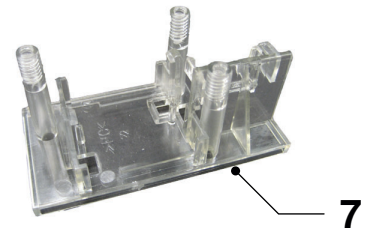
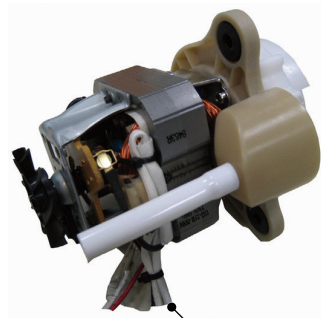
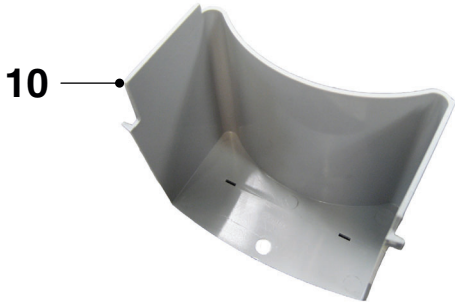
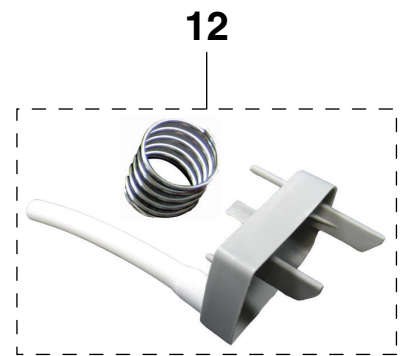
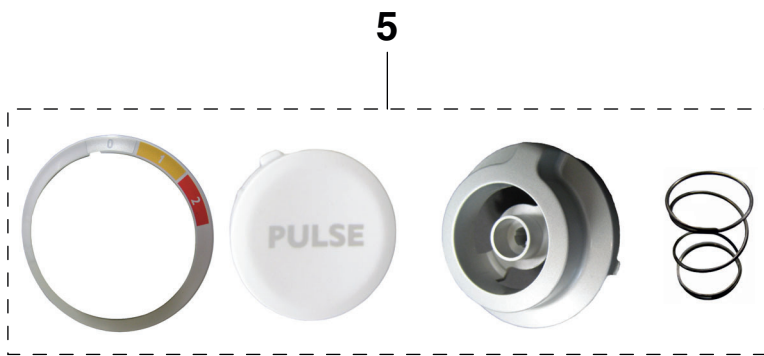
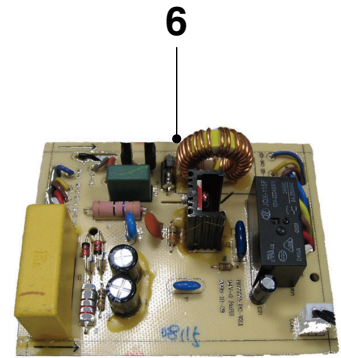
REPAIR INSTRUCTION

- No specific issues.

Pos	Service code	Description
1	4203 035 87710	Housing
2	4203 035 87720	Bottom + airtunnel
3	4203 035 87730	Sucker Foot (1 pcs)
4	4203 035 88050	Motor - incl. wires + gearing
5	4203 035 88010	3 speed Switch knob assembly
6	4203 035 87760	PCBA HR7772
7	4203 035 87770	Holder safety switch I
8	4203 035 88060	Safety switch HR7772
9	4203 035 88070	Cordset WEu
10	4203 035 87800	Cordset Storage Box
11	4203 035 88080	Holder safety switch II
12	4203 035 88090	Safety switch lever
13	4203 035 87830	Measuring cap
14	4203 035 87840	Jar Lid
15	4203 035 87850	Jar
16	4203 035 82650	Sealing ring
17	4203 035 87860	Knife unit Jar
18	4203 035 87870	Inner pusher
19	4203 035 87880	Pusher
20	4203 035 87890	Bowl Lid
21	4203 035 87900	Toolholder
22	4203 035 87910	Bowl
23	4203 035 88020	Julienne disc
24	4203 035 88030	Shredding disc
25	4203 035 87940	Kneading tool
26	4203 035 87950	Chopping knife + protection
27	4203 035 87970	Press cone
28	4203 035 87980	CP Sieve
29	4203 035 87990	Gear Unit - Whisk Accessory
30	4203 035 88000	Whisk basket

EXPLODED VIEW

HR7772/00



EXPLODED VIEW

HR7772/00



