

Service
Service
Service



Philips Consumer Lifestyle

Service Manual

PRODUCT INFORMATION

- This product meets the requirements regarding interference suppression on radio and TV.
- After the product has been repaired, it should function properly and has to meet the safety requirements as officially laid down at this moment.

A new food Processor especially designed to minimize cleaning effort, leaving you with more time to enjoy cooking and dining!

Basic Product features:

Electronics: up controlled

with special speed ramp up profile

Motor: AC Motor 1200 W, with speed sensor

Speeds & Gearing: Planetary gearbox i=1:5
2 speeds => 3000/600 rpm
10000/2000 rpm (motor/application)

Safety system: traditional mechanical safety system for
Bowl + Lid detection

Bowl fixation: traditional system via bayonet

Drive and fixation tools: via „auto fix“ coupling system

UI – switches: 4 push buttons 0-1-2-P

Cord set: free length 1,5 m

Cord storage: wound up on the base of the motor unit

Tools: Chopping tool
Kneading tool
Whisking tool
4 discs: slicing /shredding fine

TECHNICAL INFORMATION

- Power : 1000 – 1200 W
- Frequency : 50 / 60 Hz
- Voltage batteries : 7.2 V
- Voltage adapter : 220 - 240 V
- Maximum charging time : 3 hour(s)
- Quick charge (1 light application) : 15 minute(s)
- Maximum running time : up to 20 minute(s)

DISASSEMBLY- AND RE-ASSEMBLY ADVISE

- No specific issues

REPAIR INSTRUCTIONS

- No specific issues

OPTIONAL (accessories)

- No specific issues

Product Size:

diameter base: ~ 237 mm (lower edge)

height overall: ~ 460 mm

excess length of handle:~ 60 mm

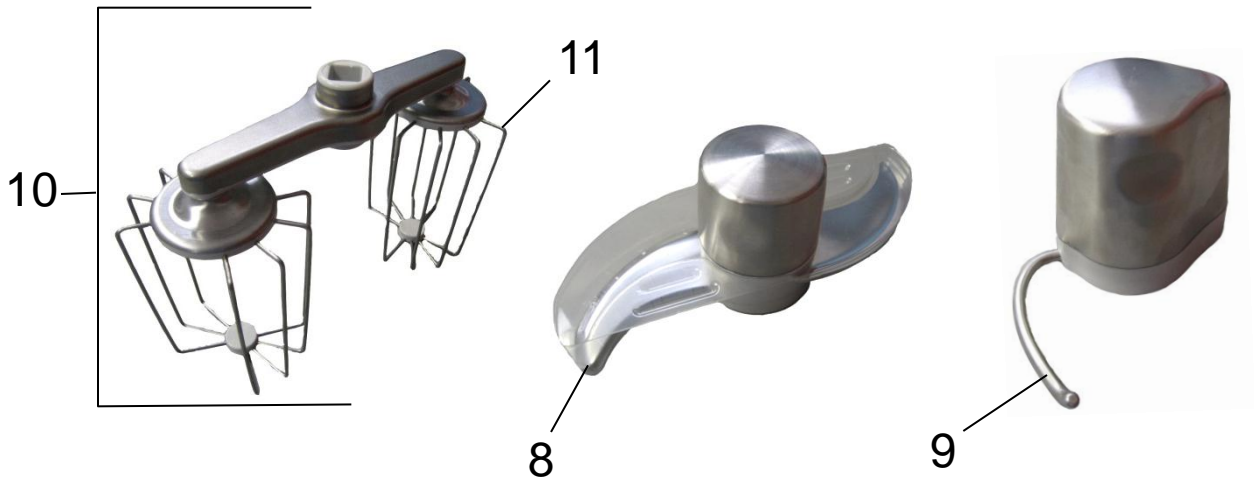
weight: 8,5 kg

Pos	12 NC	Description
1	4203 035 90030	Pusher
2	4203 035 89500	Bowl Lid assy
3	4203 035 89510	Bowl assy
4	4203 035 89520	Toolholder
5	4203 035 89530	Combi shredding disc
6	4203 035 89540	Combi slicing disc
7	4203 035 89550	French fry disc
8	4203 035 89560	Chopping knife + protection
9	4203 035 89570	Kneading tool
10	4203 035 89580	Whisking tool assy
11	4203 035 89590	Balloon beater assy
12	4203 035 89600	Power Unit Assy WEu
	4203 035 89610	Power Unit Assy GB

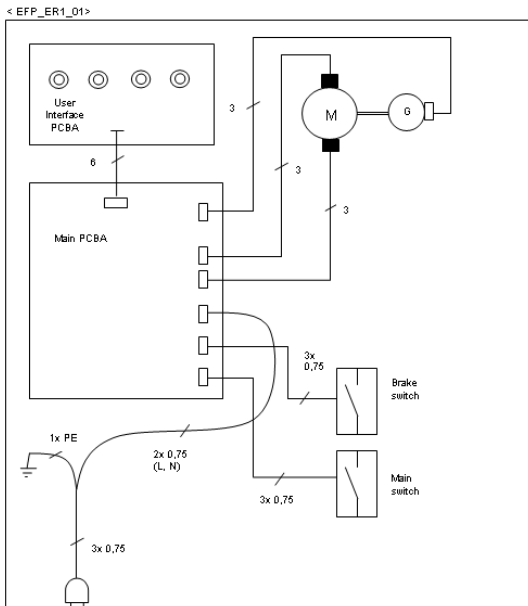


3D views

HR7781/00



Device interconnection diagram



Motor repair:

HR7781/00

1. step: remove Bottom

Pull the 2 glued rubber studs from Bottom.



open screws (6x) with a philips screw driver.

After that you can remove the bottom from appliance.

2. step: remove airtunnel bottom



Open the screws with a philips screw driver

3. step: now you can check the motor

