



Philips Consumer Lifestyle

Service Manual

PRODUCT INFORMATION

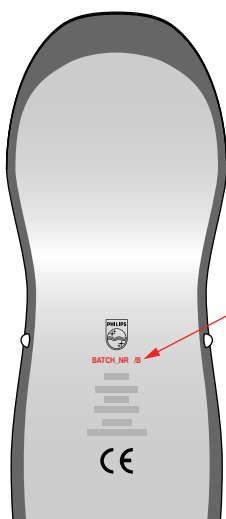
General:

- Rechargeable
- World-wide automatic voltage selection
- Washable

Safety information

- This product meets the requirements regarding interference suppression on radio and TV.
- After the product has been repaired, it should function properly and has to meet the safety requirements as officially laid down at this moment.

Place of production date



BATCH_NR /B 510505017
↓
1050
YYWW

TECHNICAL INFORMATION

- Voltage : 100 - 240V / 50 - 60 Hz
- Shaving heads : RQ11
- Battery type : Li-ion
- Running time : up to 50 min
- Stand-by power : 0,15 W
- Max power consumption : 5,4 W
- SAP coding : RQ1175

DISASSEMBLY- AND RE-ASSEMBLY ADVICE

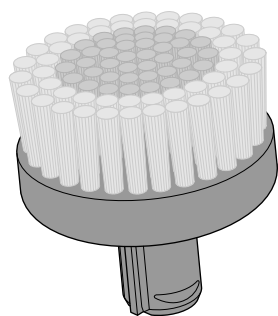
- No specific issues

REPAIR INSTRUCTION

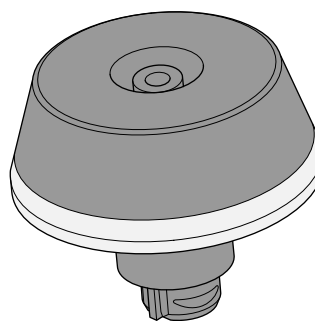
- No specific issues

OPTIONAL (accessories)

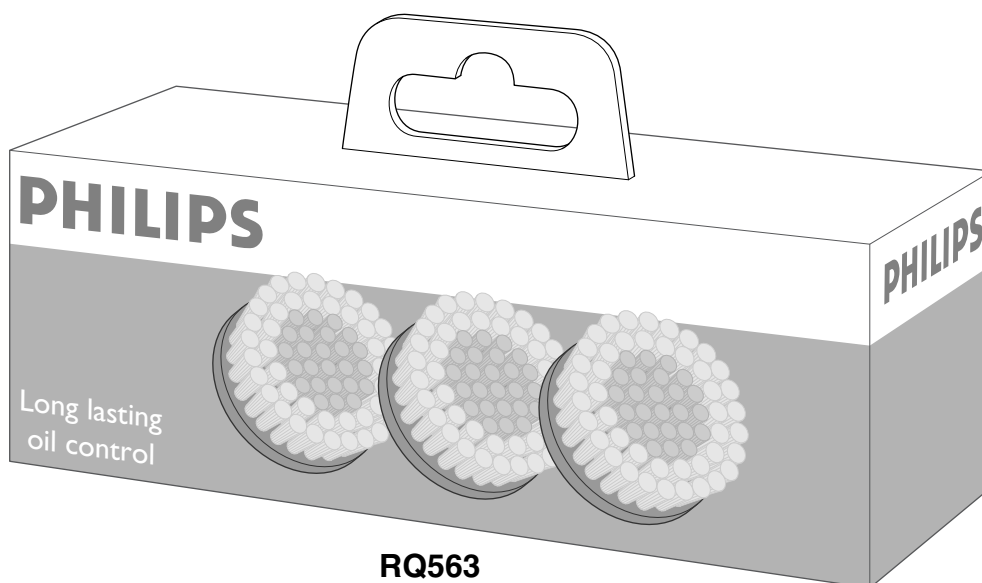
- 4222 018 58971 Pouch
- 2722 171 90128 Power plug EU
- 2722 171 90133 Power plug KR
- 2722 171 90135 Power plug BR
- 2722 171 90137 Power plug JP/MEX/TW/CA/US
- 2722 171 90139 Power plug CN
- 2722 171 90142 Power plug AUS/NZ
- 2722 171 90144 Power plug AR
- 2722 171 90131 Power plug GB



RQ560



RQ585



RQ563

PARTS LIST

Pos	Service code	Description
1	4222 036 18481	Shaving unit upper part
2	4222 036 17531	Holder
3	4222 036 17551	Shaving unit bottom assy
4	4222 027 21541	Protecting cap
5	4222 036 20521	Body
	4222 036 20531	Body JAPAN
6	4222 039 29581	Styler
7	4222 029 31341	Brush
8	4222 039 28711	Stand

EXPLODED VIEW

RQ1175

