

GC9610	GC9620	GC9640	GC9646
GC9611	GC9622	GC9641	GC9647
GC9612	GC9625	GC9642	GC9648
GC9614	GC9630	GC9644	GC9650
GC9615	GC9635		

Service Manual

Product Information

Fast & Powerful Crease Removal

- OptimalTEMP technology
- Safe rest
- Soleplate: T-ionicGlide
- Steam output control • Steam tip
- Variable steam settings
- Vertical steaming

Easy to Use

- Cord freedom (swivel): 180° cord freedom
- Cord storage: Cord storage compartment
- Hose storage: Hose storage compartment
- Low water alarm
- Open handle
- Refill any time
- Safe for all fabrics: Even for delicates like silks
- Ultra light and comfortable
- Filling and emptying water: Detachable water tank, Extra large filling hole

Sustainability

- ECO setting
- Energy saving: 50% energy reduction

Safety Information

- This product meets the requirements regarding interference suppression on radio and TV.

Calc Management

- Suitable for tap water
- Calc clean reminder
- Calc clean solution: Easy De-Calc Plus

Technical Information

- Voltage : 220 - 240 V
- Frequency : 50 - 60 Hz
- Dimensions (W x H x L)
Packaging : 31 x 35 x 51 cm
Product : 23.3 x 28.5 x 45.3 cm
- Weight
Iron : 0.8 kg
Iron + Base : 5.1 kg

Product Matrix



Model	GC9610	GC9611	GC9612	GC9614
Power	2000-2400W	2000-2400W	2000-2400W	2000-2400W
Heat - up Time	2 minutes	2 minutes	2 minutes	2 minutes
Steam Pressure	7.0 Bar	7.0 Bar	7.0 Bar	7.5 Bar
Continuous Steam	135 g/min	135 g/min	135 g/min	150 g/min
Steam Boost	490 g	500 g	500 g	500 g
Vertical Steam	Yes	Yes	Yes	Yes
Soleplate	T-ionicGLIDE	T-ionicGLIDE	T-ionicGLIDE	T-ionicGLIDE
ECO Mode	Yes	Yes	Yes	Yes
Silent Steam Technology	No	No	No	No
Water Tank	1800 ml	1800 ml	1800 ml	1800 ml
Storage Solution	Carry Lock	Carry Lock	Carry Lock	Carry Lock
Safety Auto-Off	No	No	No	No
Power cord length	1.65 m	1.65 m	1.65 m	1.65 m
Hosecord length	1.6 m	1.6 m	1.6 m	1.6 m
Accessories	No	No	No	No

Product Matrix



Model	GC9615	GC9620	GC9622	GC9625
Power	2000-2400W	2000-2400W	2000-2400W	2000-2400W
Heat - up Time	2 minutes	2 minutes	2 minutes	2 minutes
Steam Pressure	7.5 Bar	6.5 Bar	6.5 Bar	6.7 Bar
Continuous Steam	150 g/min	130 g/min	135 g/min	135 g/min
Steam Boost	510 g	450 g	450 g	470 g
Vertical Steam	Yes	Yes	Yes	Yes
Soleplate	T-ionicGLIDE	T-ionicGLIDE	T-ionicGLIDE	T-ionicGLIDE
ECO Mode	Yes	Yes	Yes	Yes
Silent Steam Technology	No	No	No	No
Water Tank	1800 ml	1800 ml	1800 ml	1800 ml
Storage Solution	Carry Lock	Carry Lock	Carry Lock	Carry Lock
Safety Auto-Off	No	No	Yes	Yes
Power cord length(m)	1.65 m	1.8 m	1.8 m	1.8 m
Hosecord length(m)	1.6 m	1.6 m	1.6 m	1.6 m
Accessories	No	No	No	No

Product Matrix



Model	GC9630	GC9635	GC9640	GC9641
Power	2000-2400W	2000-2400W	2000-2400W	2000-2400W
Heat - up Time	2 minutes	2 minutes	2 minutes	2 minutes
Steam Pressure	6.7 Bar	7.5 Bar	7.0 Bar	7.0 Bar
Continuous Steam	135 g/min	155 g/min	140 g/min	135 g/min
Steam Boost	470 g	520 g	480 g	480 g
Vertical Steam	Yes	Yes	Yes	Yes
Soleplate	T-ionicGLIDE	T-ionicGLIDE	T-ionicGLIDE	T-ionicGLIDE
ECO Mode	Yes	Yes	Yes	Yes
Silent Steam Technology	No	No	Yes	Yes
Water Tank	1800 ml	1800 ml	1800 ml	1800 ml
Storage Solution	Carry Lock	Carry Lock	Carry Lock	Carry Lock
Safety Auto-Off	Yes	Yes	Yes	Yes
Power cord length	1.8 m	1.8 m	1.8 m	1.8 m
Hosecord length	1.6 m	1.6 m	1.6 m	1.6 m
Accessories	No	No	Non-Woven Bag	Non-Woven Bag

Product Matrix



Model	GC9642	GC9644	GC9646	GC9647
Power	2000-2400W	2000-2400W	2000-2400W	2000-2400W
Heat - up Time	2 minutes	2 minutes	2 minutes	2 minutes
Steam Pressure	7.2 Bar	7.2 Bar	7.3 Bar	7.3 Bar
Continuous Steam	145 g/min	145 g/min	150 g/min	150 g/min
Steam Boost	490 g	490 g	500 g	510 g
Vertical Steam	Yes	Yes	Yes	Yes
Soleplate	T-ionicGLIDE	T-ionicGLIDE	T-ionicGLIDE	T-ionicGLIDE
ECO Mode	Yes	Yes	Yes	Yes
Silent Steam Technology	Yes	Yes	Yes	Yes
Water Tank	1800 ml	1800 ml	1800 ml	1800 ml
Storage Solution	Carry Lock	Carry Lock	Carry Lock	Carry Lock
Safety Auto-Off	Yes	Yes	Yes	Yes
Power cord length	1.8 m	1.8 m	1.8 m	1.8 m
Hosecord length	1.6 m	1.6 m	1.6 m	1.6 m
Accessories	Non-Woven Bag	Non-Woven Bag	–	–

Product Matrix



Model	GC9648	GC9650
Power	2000-2400W	2000-2400W
Heat - up Time	2 minutes	2 minutes
Steam Pressure	7.7 Bar	7.5 Bar
Continuous Steam	160 g/min	150 g/min
Steam Boost	540 g	500 g
Vertical Steam	Yes	Yes
Soleplate	T-ionicGLIDE	T-ionicGLIDE
ECO Mode	Yes	Yes
Silent Steam Technology	Yes	Yes
Water Tank	1800 ml	1800 ml
Storage Solution	Carry Lock	Carry Lock
Safety Auto-Off	Yes	Yes
Power cord length	1.8 m	1.8 m
Hosecord length	1.6 m	1.6 m
Accessories	–	Non-Woven Bag, Glove

Part List

POS	DESCRIPTION	GC9610/20	GC9611/20	GC9611/21	GC9612/20
		889961020290	889961120290	889961121160	889961220290
		FRANCE	FRANCE	SWITZERLAND	FRANCE
1	INLAY & LIGHT STRIP MOLDED	423902661883	423902661883	423902661883	423902661883
2	REFLECTOR 2K MOLDED	423902661311	423902661311	423902661311	423902661311
3	WA3 STELLAR MS-LED WIRE	423902187003	423902187003	423902187003	423902187003
5	TRIGGER MOLDED	423902661341	423902661341	423902661341	423902661341
8	HOUSING & DECO PLATE 2K PRINTED	423902188523	423902188523	423902188523	423902188523
10	CHASSIS MOLDED	423902661292	423902661292	423902661292	423902661292
13	SOLEPLATE ASSY	423902269631	423902269631	423902269631	423902269631
14	HOSE CORD MTD ASSY	423902186966	423902186966	423902186966	423902186966
15*	WATER TANK PRTE ASSY	423902187892	423902187892	423902187892	423902187892
19	STAND TOP ASSY	423903011771	423903011841	423903011841	423903011861
20	STELLAR POWER BOARD PCBA	423903012562	423903012562	423903012562	423903012562
21	PCBA HOLDER MOLDED	423902661593	423902661593	423902661593	423902661593
22	STELLAR HALL SENSOR PCBA	423902187392	423902187392	423902187392	423902187392
23	STELLAR UI BOARD PCBA	423902187385	423902187385	423902187385	423902187385
24	BUTTON FRAME PRTE	423901455391	423903011791	423903011791	423903011791
25	POWER BUTTON PRTE	423903011801	423903011801	423903011801	423903011801
26	PUMP JIAYIN JYPC302 MOUNTED ASSY	423902187361	423902187361	423902187361	423902187361
30	INLET SUPPORT SEAL	423901561571	423901561571	423901561571	423901561571
31	INLET COUPLING PLATE WELDED	423902188461	423902188461	423902188461	423902188461
32	INLET COUPLING SUPPORT MOLDED	423902661601	423902661601	423902661601	423902661601
34	HOSE CLIP-BRAIDED RUBBER HOSE	423901010281	423901010281	423901010281	423901010281
35	INOX CLAMP	423901010261	423901010261	423901010261	423901010261
36	STELLAR BOILER	423903014431	423903014431	423903014431	423903014431
37	E-VALVE 7 BAR	423901013832	423901013832	423901013832	423901013832
38A	SAFETY VALVE 8 BAR	423901013822	423901013822	423901013822	423901013822
38B	SAFETY CAP NAT	423901559211	423901559211	423901559211	423901559211
39	WATER PROBE ASSY	423902186972	423902186972	423902186972	423902186972
42	RINSE CAP PRINTED ASSY#	423903011811	423903011811	423903011811	423903011811
43	MAINSCORD EU	423900012951	423900012951	423900013491	423900012951
50	STAND BOTTOM ASSY	423902188504	423902188504	423902188504	423902188504

Notes: * Option for CRP

Part List

POS	DESCRIPTION	GC9612/21	GC9614/20	GC9614/20	GC9614/20
		889961221160	889961420010	889961420290	889961420380
		FRANCE	FRANCE	SWITZERLAND	FRANCE
1	INLAY & LIGHT STRIP MOLDED	423902661883	423902661883	423902661883	423902661883
2	REFLECTOR 2K MOLDED	423902661311	423902661311	423902661311	423902661311
3	WA3 STELLAR MS-LED WIRE	423902187003	423902187003	423902187003	423902187003
5	TRIGGER MOLDED	423902661341	423902661341	423902661341	423902661341
8	HOUSING & DECO PLATE 2K PRINTED	423902188523	423902188523	423902188523	423902188523
10	CHASSIS MOLDED	423902661292	423902661292	423902661292	423902661292
13	SOLEPLATE ASSY	423902269631	423902269631	423902269631	423902269631
14	HOSE CORD MTD ASSY	423902186966	423902186966	423902186966	423902186966
15*	WATER TANK PRTE ASSY	423902187892	423902187892	423902187892	423902187892
19	STAND TOP ASSY	423903011861	423903014791	423903014791	423903014791
20	STELLAR POWER BOARD PCBA	423903012562	423903012562	423903012562	423903012562
21	PCBA HOLDER MOLDED	423902661593	423902661593	423902661593	423902661593
22	STELLAR HALL SENSOR PCBA	423902187392	423902187392	423902187392	423902187392
23	STELLAR UI BOARD PCBA	423902187385	423902187385	423902187385	423902187385
24	BUTTON FRAME PRTE	423903011791	423903011791	423903011791	423903011791
25	POWER BUTTON PRTE	423903011801	423903011801	423903011801	423903011801
26	PUMP JIAYIN JYPC302 MOUNTED ASSY	423902187361	423902187361	423902186522	423902187361
30	INLET SUPPORT SEAL	423901561571	423901561571	423901561571	423901561571
31	INLET COUPLING PLATE WELDED	423902188461	423902188461	423902188461	423902188461
32	INLET COUPLING SUPPORT MOLDED	423902661601	423902661601	423902661601	423902661601
34	HOSE CLIP-BRAIDED RUBBER HOSE	423901010281	423901010281	423901010281	423901010281
35	INOX CLAMP	423901010261	423901010261	423901010261	423901010261
36	STELLAR BOILER	423903014431	423903014431	423903014431	423903014431
37	E-VALVE 7 BAR	423901013832	423901013832	423901013832	423901013832
38A	SAFETY VALVE 8 BAR	423901013822	423901013822	423901013822	423901013822
38B	SAFETY CAP NAT	423901559211	423901559211	423901559211	423901559211
39	WATER PROBE ASSY	423902186972	423902186972	423902186972	423902186972
42	RINSE CAP PRINTED ASSY#	423903011811	423903011811	423903011811	423903011811
43	MAINSCORD EU	423900013491	423900012951	423900012951	423900012951
50	STAND BOTTOM ASSY	423902188504	423902188504	423902188504	423902188504

Notes: * Option for CRP

Part List

POS	DESCRIPTION	GC9614/21	GC9615/20	GC9615/20	GC9620/20
		889961421160 SWITZERLAN D	889961520010 WEU	889961520290 FRANCE	889962020010 WEU
1	INLAY & LIGHT STRIP MOLDED	423902661883	423902661883	423902661883	423902661883
2	REFLECTOR 2K MOLDED	423902661311	423902661311	423902661311	423902661311
3	WA3 STELLAR MS-LED WIRE	423902187003	423902187003	423902187003	423902187003
5	TRIGGER MOLDED	423902661341	423902661341	423902661341	423902661341
8	HOUSING & DECO PLATE 2K PRINTED	423902188523	423902188523	423902188523	423902188523
10	CHASSIS MOLDED	423902661292	423902661292	423902661292	423902670973
13	SOLEPLATE ASSY	423902269631	423902269631	423902269631	423902269631
14	HOSE CORD MTD ASSY	423902186966	423902186966	423902186966	423903007293
15*	WATER TANK PRTED ASSY	423902187892	423902187892	423902187892	423902187892
19	STAND TOP ASSY	423903014791	423903014811	423903014811	423902188534
20	STELLAR POWER BOARD PCBA	423903012562	423903012562	423903012562	423902187379
21	PCBA HOLDER MOLDED	423902661593	423902661593	423902661593	423902661593
22	STELLAR HALL SENSOR PCBA	423902187392	423902187392	423902187392	423902187392
23	STELLAR UI BOARD PCBA	423902187385	423902187385	423902187385	423902187385
24	BUTTON FRAME PRTED	423903011791	423903011791	423903011791	423902187841
25	POWER BUTTON PRTED	423903011801	423903011801	423903011801	423902187851
26	PUMP JIAYIN JYPC302 MOUNTED ASSY	423902187361	423902187361	423902187361	423902187361
30	INLET SUPPORT SEAL	423901561571	423901561571	423901561571	423901561571
31	INLET COUPLING PLATE WELDED	423902188461	423902188461	423902188461	423902188461
32	INLET COUPLING SUPPORT MOLDED	423902661601	423902661601	423902661601	423902661601
34	HOSE CLIP-BRAIDED RUBBER HOSE	423901010281	423901010281	423901010281	423901010281
35	INOX CLAMP	423901010261	423901010261	423901010261	423901010261
36	STELLAR BOILER	423903014431	423903014431	423903014431	423903014421
37	E-VALVE 7 BAR	423901013832	423901013832	423901013832	423901013832
38A	SAFETY VALVE 8 BAR	423901013822	423901013822	423901013822	423901013822
38B	SAFETY CAP NAT	423901559211	423901559211	423901559211	423901559211
39	WATER PROBE ASSY	423902186972	423902186972	423902186972	423902186972
42	RINSE CAP PRINTED ASSY#	423903011811	423903011811	423903011811	423902187871
43	MAINSCORD EU	423900013491	423900012951	423900012951	242207098596
50	STAND BOTTOM ASSY	423902188504	423902188504	423902188504	423903007281

Notes: * Option for CRP

Part List

POS	DESCRIPTION	GC9622/20	GC9622/20	GC9625/20	GC9630/20
		889962220010	889962220500	889962520290	889963020010
		WEU	SINGAPORE	FRANCE	WEU
1	INLAY & LIGHT STRIP MOLDED	423902188443	423902188443	423902188443	423902188453
2	REFLECTOR 2K MOLDED	423902661311	423902661311	423902661311	423902661311
3	WA3 STELLAR MS-LED WIRE	423902187003	423902187003	423902187003	423902187003
5	TRIGGER MOLDED	423902661341	423902661341	423902661341	423902661341
8	HOUSING & DECO PLATE 2K PRINTED	423902188523	423902188523	423902188523	423902188523
10	CHASSIS MOLDED	423902670973	423902670973	423902661292	423902670973
13	SOLEPLATE ASSY	423902269631	423902269631	423902269631	423902269631
14	HOSE CORD MTD ASSY	423903007293	423903007293	423902186966	423903007293
15*	WATER TANK PRTED ASSY	423902187892	423902187892	423902187892	423902187892
19	STAND TOP ASSY	423902188554	423902188554	423902188515	423902188515
20	STELLAR POWER BOARD PCBA	423902187379	423902187379	423902187379	423902187379
21	PCBA HOLDER MOLDED	423902661593	423902661593	423902661593	423902661593
22	STELLAR HALL SENSOR PCBA	423902187392	423902187392	423902187392	423902187392
23	STELLAR UI BOARD PCBA	423902187385	423902187385	423902187385	423902187385
24	BUTTON FRAME PRTED	423902187841	423902187841	423902187841	423902187841
25	POWER BUTTON PRTED	423902187851	423902187851	423902187851	423902187851
26	PUMP JIAYIN JYPC302 MOUNTED ASSY	423902187361	423902187361	423902187361	423902187361
30	INLET SUPPORT SEAL	423901561571	423901561571	423901561571	423901561571
31	INLET COUPLING PLATE WELDED	423902188461	423902188461	423902188461	423902188461
32	INLET COUPLING SUPPORT MOLDED	423902661601	423902661601	423902661601	423902661601
34	HOSE CLIP-BRAIDED RUBBER HOSE	423901010281	423901010281	423901010281	423901010281
35	INOX CLAMP	423901010261	423901010261	423901010261	423901010261
36	STELLAR BOILER	423903014421	423903014421	423903014431	423903014421
37	E-VALVE 7 BAR	423901013832	423901013832	423901013832	423901013832
38A	SAFETY VALVE 8 BAR	423901013822	423901013822	423901013822	423901013822
38B	SAFETY CAP NAT	423901559211	423901559211	423901559211	423901559211
39	WATER PROBE ASSY	423902186972	423902186972	423902186972	423902186972
42	RINSE CAP PRINTED ASSY#	423902187871	423902187871	423902187871	423902187871
43	MAINSCORD EU	242207098596	242207098618	242207098596	242207098596
50	STAND BOTTOM ASSY	423903007281	423903007281	423902188504	423903007281

Notes: * Option for CRP

Part List

POS	DESCRIPTION	GC9630/20	GC9630/25	GC9635/20	GC9635/20
		889963020450	889963025040	889963520010	889963520180
		HONG KONG	TURKEY	WEU	IBERIA
1	INLAY & LIGHT STRIP MOLDED	423902188453	423902188453	423902188453	423902188453
2	REFLECTOR 2K MOLDED	423902661311	423902661311	423902661311	423902661311
3	WA3 STELLAR MS-LED WIRE	423902187003	423902187003	423902187003	423902187003
5	TRIGGER MOLDED	423902661341	423902661341	423902661341	423902661341
8	HOUSING & DECO PLATE 2K PRINTED	423902188523	423902188523	423902188523	423902188523
10	CHASSIS MOLDED	423902661292	423902661292	423902670973	423902670973
13	SOLEPLATE ASSY	423902269631	423902269631	423902269631	423902269631
14	HOSE CORD MTD ASSY	423902186966	423902186966	423903007293	423903007293
15*	WATER TANK PRTED ASSY	423902187892	423902187892	423902187892	423902187892
19	STAND TOP ASSY	423902188515	423902188515	423903014831	423903014831
20	STELLAR POWER BOARD PCBA	423902187379	423902187379	423902187379	423902187379
21	PCBA HOLDER MOLDED	423902661593	423902661593	423902661593	423902661593
22	STELLAR HALL SENSOR PCBA	423902187392	423902187392	423902187392	423902187392
23	STELLAR UI BOARD PCBA	423902187385	423902187385	423902187385	423902187385
24	BUTTON FRAME PRTED	423902187841	423902187841	423902187841	423902187841
25	POWER BUTTON PRTED	423902187851	423902187851	423902187851	423902187851
26	PUMP JIAYIN JYPC302 MOUNTED ASSY	423902187361	423902187361	423902187361	423902187361
30	INLET SUPPORT SEAL	423901561571	423901561571	423901561571	423901561571
31	INLET COUPLING PLATE WELDED	423902188461	423902188461	423902188461	423902188461
32	INLET COUPLING SUPPORT MOLDED	423902661601	423902661601	423902661601	423902661601
34	HOSE CLIP-BRAIDED RUBBER HOSE	423901010281	423901010281	423901010281	423901010281
35	INOX CLAMP	423901010261	423901010261	423901010261	423901010261
36	STELLAR BOILER	423903014431	423903014431	423903014421	423903014421
37	E-VALVE 7 BAR	423901013832	423901013832	423901013832	423901013832
38A	SAFETY VALVE 8 BAR	423901013822	423901013822	423901013822	423901013822
38B	SAFETY CAP NAT	423901559211	423901559211	423901559211	423901559211
39	WATER PROBE ASSY	423902186972	423902186972	423902186972	423902186972
42	RINSE CAP PRINTED ASSY#	423902187871	423902187871	423902187871	423902187871
43	MAINSCORD EU	242207098618	242207098596	242207098596	242207098596
50	STAND BOTTOM ASSY	423902188504	423902188504	423903007281	423903007281

Notes: * Option for CRP

Part List

POS	DESCRIPTION	GC9635/20	GC9635/26	GC9640/60	GC9640/65
		889963520300	889963526150	889964060010	889964065040
		RUSSIA	UK	WEU	TURKEY
1	INLAY & LIGHT STRIP MOLDED	423902188453	423902188453	423902188453	423902188453
2	REFLECTOR 2K MOLDED	423902661311	423902661311	423902661311	423902661311
3	WA3 STELLAR MS-LED WIRE	423902187003	423902187003	423902187003	423902187003
5	TRIGGER MOLDED	423902661341	423902661341	423902661911	423902661911
8	HOUSING & DECO PLATE 2K PRINTED	423902188523	423902188523	423902188583	423902188583
10	CHASSIS MOLDED	423902670973	423902670973	423902670973	423902661292
13	SOLEPLATE ASSY	423902269631	423902269631	423902276031	423902276031
14	HOSE CORD MTD ASSY	423903007293	423903007293	423903007263	423902188596
15*	WATER TANK PRTE ASSY	423902187892	423902187892	423902188632	423902188632
19	STAND TOP ASSY	423902921901	423903014831	423902188624	423902188624
20	STELLAR POWER BOARD PCBA	423902187379	423902187379	423902187379	423902187379
21	PCBA HOLDER MOLDED	423902661593	423902661593	423902661593	423902661593
22	STELLAR HALL SENSOR PCBA	423902187392	423902187392	423902187392	423902187392
23	STELLAR UI BOARD PCBA	423902187385	423902187385	423902187385	423902187385
24	BUTTON FRAME PRTE	423902187841	423902187841	423902188481	423902188481
25	POWER BUTTON PRTE	423902187851	423902187851	423902188491	423902188491
26	PUMP JIAYIN JYPC302 MOUNTED ASSY	423902187361	423902187361	423902188821	423902188821
30	INLET SUPPORT SEAL	423901561571	423901561571	423901561571	423901561571
31	INLET COUPLING PLATE WELDED	423902188461	423902188461	423902188461	423902188461
32	INLET COUPLING SUPPORT MOLDED	423902661601	423902661601	423902661601	423902661601
34	HOSE CLIP-BRAIDED RUBBER HOSE	423901010281	423901010281	423901010281	423901010281
35	INOX CLAMP	423901010261	423901010261	423901010261	423901010261
36	STELLAR BOILER	423903014421	423903014421	423903014421	423903014431
37	E-VALVE 7 BAR	423901013832	423901013832	423901013832	423901013832
38A	SAFETY VALVE 8 BAR	423901013822	423901013822	423901013822	423901013822
38B	SAFETY CAP NAT	423901559211	423901559211	423901559211	423901559211
39	WATER PROBE ASSY	423902186972	423902186972	423902186972	423902186972
42	RINSE CAP PRINTED ASSY#	423902187871	423902187871	423902188391	423902188391
43	MAINSCORD EU	242207098596	242207098618	242207098595	242207098595
50	STAND BOTTOM ASSY	423903007281	423903007281	423903007271	423902188614

Notes: * Option for CRP

Part List

POS	DESCRIPTION	GC9641/60	GC9642/60	GC9642/60	GC9642/66
		889964160290	889964260010	889964260600	889964266600
		FRANCE	WEU	DUBAI	DUBAI
1	INLAY & LIGHT STRIP MOLDED	423902188453	423902188453	423902188453	423902188453
2	REFLECTOR 2K MOLDED	423902661311	423902661311	423902661311	423902661311
3	WA3 STELLAR MS-LED WIRE	423902187003	423902187003	423902187003	423902187003
5	TRIGGER MOLDED	423902661911	423902661911	423902661911	423902661911
8	HOUSING & DECO PLATE 2K PRINTED	423902188583	423902188583	423902188583	423902188583
10	CHASSIS MOLDED	423902661292	423902670973	423902661292	423902661292
13	SOLEPLATE ASSY	423902276031	423902276031	423902276031	423902276031
14	HOSE CORD MTD ASSY	423902188596	423903007263	423902188596	423902188596
15*	WATER TANK PRTED ASSY	423902188632	423902188632	423902188632	423902188632
19	STAND TOP ASSY	423903002551	423902188854	423902188854	423902188854
20	STELLAR POWER BOARD PCBA	423902187379	423902187379	423902187379	423902187379
21	PCBA HOLDER MOLDED	423902661593	423902661593	423902661593	423902661593
22	STELLAR HALL SENSOR PCBA	423902187392	423902187392	423902187392	423902187392
23	STELLAR UI BOARD PCBA	423902187385	423902187385	423902187385	423902187385
24	BUTTON FRAME PRTED	423902188481	423902188481	423902188481	423902188481
25	POWER BUTTON PRTED	423902188491	423902188491	423902188491	423902188491
26	PUMP JIAYIN JYPC302 MOUNTED ASSY	423902188821	423902188821	423902188821	423902188821
30	INLET SUPPORT SEAL	423901561571	423901561741	423901561571	423901561571
31	INLET COUPLING PLATE WELDED	423902188461	423902188461	423902188461	423902188461
32	INLET COUPLING SUPPORT MOLDED	423902661601	423902661601	423902661601	423902661601
34	HOSE CLIP-BRAIDED RUBBER HOSE	423901010281	423901010281	423901010281	423901010281
35	INOX CLAMP	423901010261	423901010261	423901010261	423901010261
36	STELLAR BOILER	423903014431	423903014421	423903014431	423903014431
37	E-VALVE 7 BAR	423901013832	423901013832	423901013832	423901013832
38A	SAFETY VALVE 8 BAR	423901013822	423901013822	423901013822	423901013822
38B	SAFETY CAP NAT	423901559211	423901559211	423901559211	423901559211
39	WATER PROBE ASSY	423902186972	423902186972	423902186972	423902186972
42	RINSE CAP PRINTED ASSY#	423902188391	423902188391	423902188391	423902188391
43	MAINSCORD EU	242207098595	242207098595	242207098595	242207098619
50	STAND BOTTOM ASSY	423902188614	423903007271	423902188614	423902188614

Notes: * Option for CRP

Part List

POS	DESCRIPTION	GC9642/69	GC9644/20	GC9646/60	GC9647/60
		889964269050	889964420220	889964660290	889964760290
		SINGAPORE	GERMANY	FRANCE	FRANCE
1	INLAY & LIGHT STRIP MOLDED	423902188453	423902188453	423902188453	423902188453
2	REFLECTOR 2K MOLDED	423902661311	423902661311	423902661311	423902661311
3	WA3 STELLAR MS-LED WIRE	423902187003	423902187003	423902187003	423902187003
5	TRIGGER MOLDED	423902661911	423902661341	423902661911	423902661911
8	HOUSING & DECO PLATE 2K PRINTED	423902188583	423903009221	423902188583	423902188583
10	CHASSIS MOLDED	423902661292	423902661292	423902670973	423902670973
13	SOLEPLATE ASSY	423902276031	423902269641	423902276031	423902276031
14	HOSE CORD MTD ASSY	423902188596	423902186966	423903007263	423903007263
15*	WATER TANK PRTED ASSY	423902188632	423902187892	423902188632	423902188632
19	STAND TOP ASSY	423902188854	423903008251	423903011591	423903011611
20	STELLAR POWER BOARD PCBA	423902187379	423902187379	423902187379	423902187379
21	PCBA HOLDER MOLDED	423902661593	423902661593	423902661593	423902661593
22	STELLAR HALL SENSOR PCBA	423902187392	423902187392	423902187392	423902187392
23	STELLAR UI BOARD PCBA	423902187385	423902187385	423902187385	423902187385
24	BUTTON FRAME PRTED	423902188481	423902187841	423902188481	423902188481
25	POWER BUTTON PRTED	423902188491	423902187851	423902188491	423902188491
26	PUMP JIAYIN JYPC302 MOUNTED ASSY	423902188821	423902188821	423902188821	423902188821
30	INLET SUPPORT SEAL	423901561571	423901561571	423901561571	423901561571
31	INLET COUPLING PLATE WELDED	423902188461	423902188461	423902188461	423902188461
32	INLET COUPLING SUPPORT MOLDED	423902661601	423902661601	423902661601	423902661601
34	HOSE CLIP-BRAIDED RUBBER HOSE	423901010281	423901010281	423901010281	423901010281
35	INOX CLAMP	423901010261	423901010261	423901010261	423901010261
36	STELLAR BOILER	423903014431	423903014431	423903014421	423903014421
37	E-VALVE 7 BAR	423901013832	423901013832	423901013832	423901013832
38A	SAFETY VALVE 8 BAR	423901013822	423901013822	423901013822	423901013822
38B	SAFETY CAP NAT	423901559211	423901559211	423901559211	423901559211
39	WATER PROBE ASSY	423902186972	423902186972	423902186972	423902186972
42	RINSE CAP PRINTED ASSY#	423902188391	423902187871	423902188391	423902188391
43	MAINSCORD EU	242207098595	242207098751	242207098595	242207098595
50	STAND BOTTOM ASSY	423902188614	423902188504	423903007271	423903007271

Notes: * Option for CRP

Part List

POS	DESCRIPTION	GC9648/60	GC9650/80	GC9650/80	GC9650/80
		889964860290	889965080150	889965080640	889965080040
		FRANCE	UK	THAILAND	TURKEY
1	INLAY & LIGHT STRIP MOLDED	423902188453	423902188443	423902188443	423902188443
2	REFLECTOR 2K MOLDED	423902661311	423902661311	423902661311	423902661311
3	WA3 STELLAR MS-LED WIRE	423902187003	423902187003	423902187003	423902187003
5	TRIGGER MOLDED	423902661911	423902661921	423902661921	423902661921
8	HOUSING & DECO PLATE 2K PRINTED	423902188583	423902188903	423902188903	423902188903
10	CHASSIS MOLDED	423902670973	423902669933	423902669933	423902669933
13	SOLEPLATE ASSY	423902276031	423902276031	423902276031	423902276031
14	HOSE CORD MTD ASSY	423903007263	423903006543	423903006543	423903006543
15*	WATER TANK PRTED ASSY	423902188632	423902188942	423902188942	423902188942
19	STAND TOP ASSY	423903014851	423902188934	423902188934	423902188934
20	STELLAR POWER BOARD PCBA	423902187379	423902187379	423902187379	423902187379
21	PCBA HOLDER MOLDED	423902661593	423902661593	423902661593	423902661593
22	STELLAR HALL SENSOR PCBA	423902187392	423902187392	423902187392	423902187392
23	STELLAR UI BOARD PCBA	423902187385	423902187385	423902187385	423902187385
24	BUTTON FRAME PRTED	423902188481	423902189731	423902189731	423902189731
25	POWER BUTTON PRTED	423902188491	423902189741	423902189741	423902189741
26	PUMP JIAYIN JYPC302 MOUNTED ASSY	423902188821	423902186522	423902186522	423902188821
30	INLET SUPPORT SEAL	423901561571	423901561571	423901561571	423901561571
31	INLET COUPLING PLATE WELDED	423902188461	423902188471	423902188471	423902188471
32	INLET COUPLING SUPPORT MOLDED	423902661601	423902661601	423902661601	423902661601
34	HOSE CLIP-BRAIDED RUBBER HOSE	423901010281	423901010281	423901010281	423901010281
35	INOX CLAMP	423901010261	423901010261	423901010261	423901010261
36	STELLAR BOILER	423903014421	423903014421	423903014421	423903014421
37	E-VALVE 7 BAR	423901013832	423901013832	423901013832	423901013832
38A	SAFETY VALVE 8 BAR	423901013822	423901013822	423901013822	423901013822
38B	SAFETY CAP NAT	423901559211	423901559211	423901559211	423901559211
39	WATER PROBE ASSY	423902186972	423902186972	423902186972	423902186972
42	RINSE CAP PRINTED ASSY#	423902188391	423902188421	423902188421	423902188421
43	MAINSCORD EU	242207098595	242207098727	242207098627	242207098597
50	STAND BOTTOM ASSY	423903007271	423903007241	423903007241	423903007241
52*	GLOVE	-	423901715611	423901715611	423901715611

Notes: * Option for CRP

Part List

POS	DESCRIPTION	GC9650/80	GC9650/80	GC9650/80	GC9650/80
		889965080300	889965080380	889965080290	889965080220
		EEU	ITALY	FRANCE	GERMANY
1	INLAY & LIGHT STRIP MOLDED	423902188443	423902188443	423902188443	423902188443
2	REFLECTOR 2K MOLDED	423902661311	423902661311	423902661311	423902661311
3	WA3 STELLAR MS-LED WIRE	423902187003	423902187003	423902187003	423902187003
5	TRIGGER MOLDED	423902661921	423902661921	423902661921	423902661921
8	HOUSING & DECO PLATE 2K PRINTED	423902188903	423902188903	423902188903	423902188903
10	CHASSIS MOLDED	423902669933	423902669933	423902669933	423902669933
13	SOLEPLATE ASSY	423902276031	423902276031	423902276031	423902276031
14	HOSE CORD MTD ASSY	423903006543	423903006543	423903006543	423903006543
15*	WATER TANK PRTE ASSY	423902188942	423902188942	423902188942	423902188942
19	STAND TOP ASSY	423902188934	423902188934	423902188934	423902188934
20	STELLAR POWER BOARD PCBA	423902187379	423902187379	423902187379	423902187379
21	PCBA HOLDER MOLDED	423902661593	423902661593	423902661593	423902661593
22	STELLAR HALL SENSOR PCBA	423902187392	423902187392	423902187392	423902187392
23	STELLAR UI BOARD PCBA	423902187385	423902187385	423902187385	423902187385
24	BUTTON FRAME PRTE	423902189731	423902189731	423902189731	423902189731
25	POWER BUTTON PRTE	423902189741	423902189741	423902189741	423902189741
26	PUMP JIAYIN JYPC302 MOUNTED ASSY	423902188821	423902188821	423902188821	423902188821
30	INLET SUPPORT SEAL	423901561571	423901561571	423901561571	423901561571
31	INLET COUPLING PLATE WELDED	423902188471	423902188471	423902188471	423902188471
32	INLET COUPLING SUPPORT MOLDED	423902661601	423902661601	423902661601	423902661601
34	HOSE CLIP-BRAIDED RUBBER HOSE	423901010281	423901010281	423901010281	423901010281
35	INOX CLAMP	423901010261	423901010261	423901010261	423901010261
36	STELLAR BOILER	423903014421	423903014421	423903014421	423903014421
37	E-VALVE 7 BAR	423901013832	423901013832	423901013832	423901013832
38A	SAFETY VALVE 8 BAR	423901013822	423901013822	423901013822	423901013822
38B	SAFETY CAP NAT	423901559211	423901559211	423901559211	423901559211
39	WATER PROBE ASSY	423902186972	423902186972	423902186972	423902186972
42	RINSE CAP PRINTED ASSY#	423902188421	423902188421	423902188421	423902188421
43	MAINS CORD EU	242207098597	242207098597	242207098597	242207098597
50	STAND BOTTOM ASSY	423903007241	423903007241	423903007241	423903007241
52*	GLOVE	423901715611	423901715611	423901715611	423901715611

Notes: * Option for CRP

Part List

POS	DESCRIPTION	GC9650/80	GC9650/80	GC9650/80	GC9650/80
		889965080300 EEU	889965080380 ITALY	889965080290 FRANCE	889965080220 GERMANY
1	INLAY & LIGHT STRIP MOLDED	423902188443	423902188443	423902188443	423902188443
2	REFLECTOR 2K MOLDED	423902661311	423902661311	423902661311	423902661311
3	WA3 STELLAR MS-LED WIRE	423902187003	423902187003	423902187003	423902187003
5	TRIGGER MOLDED	423902661921	423902661921	423902661921	423902661921
8	HOUSING & DECO PLATE 2K PRINTED	423902188903	423902188903	423902188903	423902188903
10	CHASSIS MOLDED	423902669933	423902669933	423902669933	423902669933
13	SOLEPLATE ASSY	423902276031	423902276031	423902276031	423902276031
14	HOSE CORD MTD ASSY	423903006543	423903006543	423903006543	423903006543
15*	WATER TANK PRTED ASSY	423902188942	423902188942	423902188942	423902188942
19	STAND TOP ASSY	423902188934	423902188934	423902188934	423902188934
20	STELLAR POWER BOARD PCBA	423902187379	423902187379	423902187379	423902187379
21	PCBA HOLDER MOLDED	423902661593	423902661593	423902661593	423902661593
22	STELLAR HALL SENSOR PCBA	423902187392	423902187392	423902187392	423902187392
23	STELLAR UI BOARD PCBA	423902187385	423902187385	423902187385	423902187385
24	BUTTON FRAME PRTED	423902189731	423902189731	423902189731	423902189731
25	POWER BUTTON PRTED	423902189741	423902189741	423902189741	423902189741
26	PUMP JIAYIN JYPC302 MOUNTED ASSY	423902188821	423902188821	423902188821	423902188821
30	INLET SUPPORT SEAL	423901561571	423901561571	423901561571	423901561571
31	INLET COUPLING PLATE WELDED	423902188471	423902188471	423902188471	423902188471
32	INLET COUPLING SUPPORT MOLDED	423902661601	423902661601	423902661601	423902661601
34	HOSE CLIP-BRAIDED RUBBER HOSE	423901010281	423901010281	423901010281	423901010281
35	INOX CLAMP	423901010261	423901010261	423901010261	423901010261
36	STELLAR BOILER	423903014421	423903014421	423903014421	423903014421
37	E-VALVE 7 BAR	423901013832	423901013832	423901013832	423901013832
38A	SAFETY VALVE 8 BAR	423901013822	423901013822	423901013822	423901013822
38B	SAFETY CAP NAT	423901559211	423901559211	423901559211	423901559211
39	WATER PROBE ASSY	423902186972	423902186972	423902186972	423902186972
42	RINSE CAP PRINTED ASSY#	423902188421	423902188421	423902188421	423902188421
43	MAINSCORD EU	242207098597	242207098597	242207098597	242207098597
50	STAND BOTTOM ASSY	423903007241	423903007241	423903007241	423903007241
52*	GLOVE	423901715611	423901715611	423901715611	423901715611

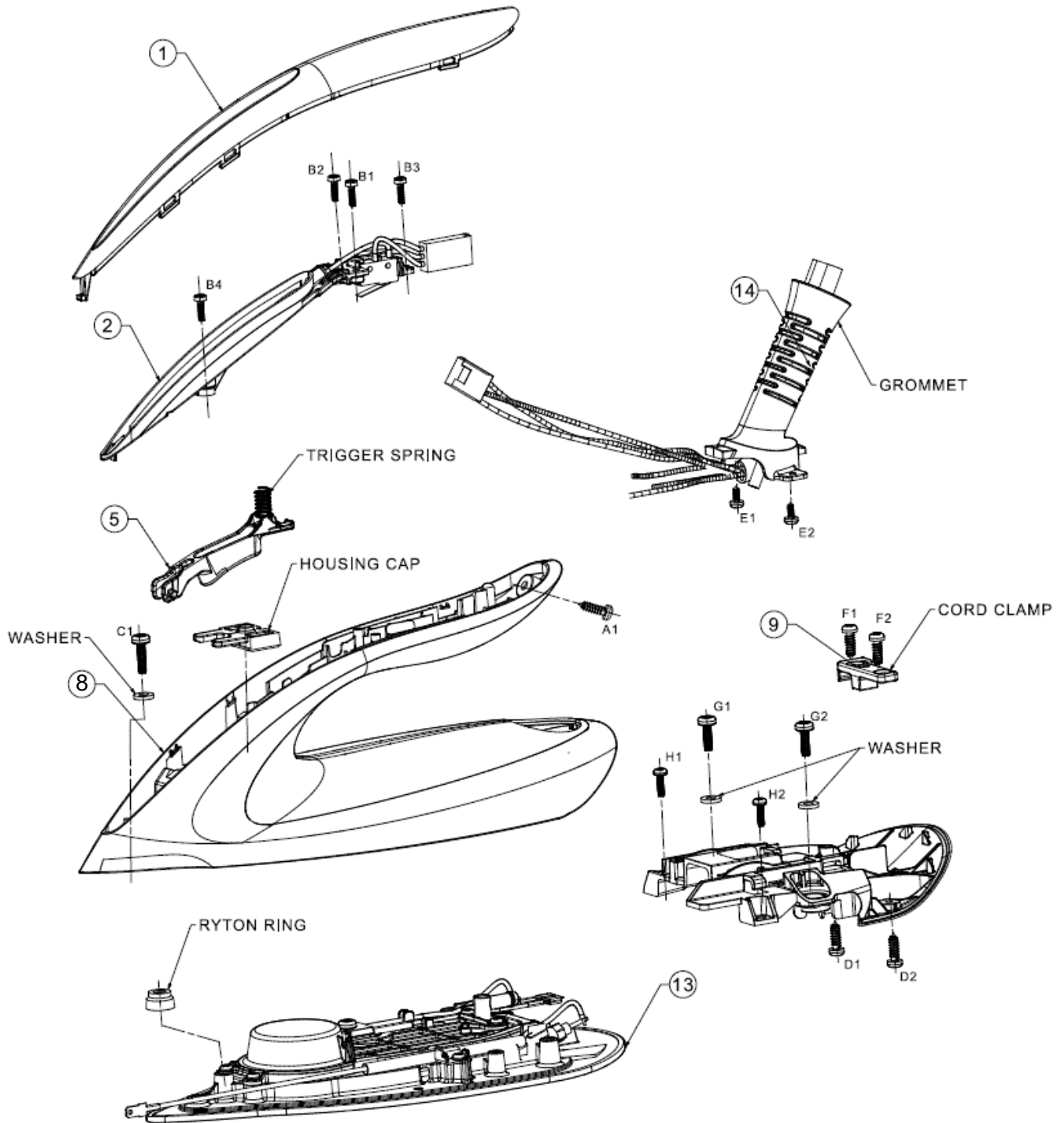
Notes: * Option for CRP

Part List

POS	DESCRIPTION	GC9650/80	GC9636/20
		889965080060	889963620220
		TURKEY	GERMANY
1	INLAY & LIGHT STRIP MOLDED	423902188443	423902188453
2	REFLECTOR 2K MOLDED	423902661311	423902661311
3	WA3 STELLAR MS-LED WIRE	423902187003	423902187003
5	TRIGGER MOLDED	423902661921	423902661341
8	HOUSING & DECO PLATE 2K PRINTED	423902188903	423902188523
10	CHASSIS MOLDED	423902669933	423902670973
13	SOLEPLATE ASSY	423902276031	423902269631
14	HOSE CORD MTD ASSY	423903006543	423903007293
15*	WATER TANK PRTE ASSY	423902188942	423902187892
19	STAND TOP ASSY	423902188934	423903019661
20	STELLAR POWER BOARD PCBA	423902187379	423902187379
21	PCBA HOLDER MOLDED	423902661593	423902661593
22	STELLAR HALL SENSOR PCBA	423902187392	423902187392
23	STELLAR UI BOARD PCBA	423902187385	423902187385
24	BUTTON FRAME PRTE	423902189731	423902187841
25	POWER BUTTON PRTE	423902189741	423902187851
26	PUMP JIAYIN JYPC302 MOUNTED ASSY	423902188821	423902187361
30	INLET SUPPORT SEAL	423901561571	423901561571
31	INLET COUPLING PLATE WELDED	423902188471	423902188461
32	INLET COUPLING SUPPORT MOLDED	423902661601	423902661601
34	HOSE CLIP-BRAIDED RUBBER HOSE	423901010281	423901010281
35	INOX CLAMP	423901010261	423901010261
36	STELLAR BOILER	423903014421	423903014421
37	E-VALVE 7 BAR	423901013832	423901013832
38A	SAFETY VALVE 8 BAR	423901013822	423901013822
38B	SAFETY CAP NAT	423901559211	423901559211
39	WATER PROBE ASSY	423902186972	423902186972
42	RINSE CAP PRINTED ASSY#	423902188421	423902187871
43	MAINSCORD EU	242207098597	242207098596
50	STAND BOTTOM ASSY	423903007241	423903007281
52*	GLOVE	423901715611	-

Notes: * Option for CRP

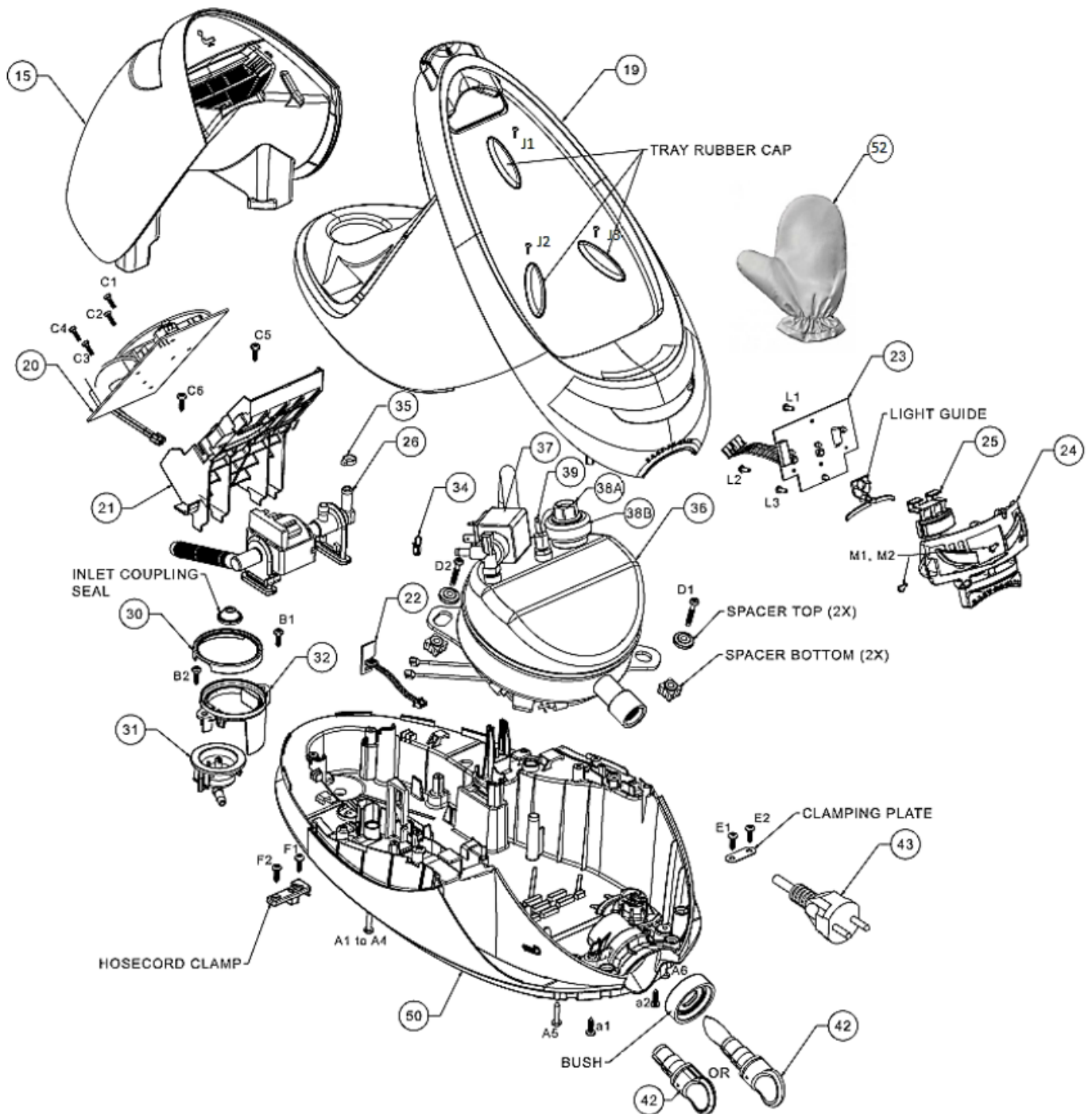
Exploded View – Iron



Parts without pos. number are not service item and can't be ordered.

Scale: Not to scale

Exploded View – Stand



Parts without pos. number are not service item and can't be ordered.

Scale: Not to scale

Disassemble Instruction – Iron

INLAY & LIGHT STRIP MOLDED 1
REFLECTOR 2K MOLDED 2
WA3 STELLAR MS-LED WIRE 3
TRIGGER SPRING
TRIGGER MOLDED 5
HOUSING CAP
HOUSING & DECO PLATE 2K PRINTED 8

GROMMET
CORD CLAMP
RUBBER BUNG
RYTON RING
CHASSIS MOLDED 10
SOLEPLATE ASSY 13

Remove Screw A1
 Remove INLAY & LIGHT STRIP MOLDED 1
 Remove Screw B1 to B4
 Remove REFLECTOR 2K MOLDED 2
 Remove WA3 STELLAR MS-LED WIRE 3
 Remove TRIGGER SPRING
 Remove TRIGGER MOLDED 5
 Remove HOUSING CAP
 Remove HOUSING & DECO PLATE 2K PRINTED 8

Remove Screw E1 & E2
 Remove GROMMET
 Remove Screw F1 & F2
 Remove CORD CLAMP
 Disconnect All wire connection
 Remove RUBBER BUNG
 Remove RYTON RING
 Remove Screw G1 & G2 and Washer
 Remove Screw D1 & D2
 Remove CHASSIS MOLDED 10
 Remove SOLEPLATE ASSY 13

Disassemble Instruction – Stand

WATER TANK ASSY 15
TRAY RUBBER CAP
STAND TOP ASSY 19
RETURN TUBE
INLET SUPPORT SEAL 30
INLET SUPPORT PLATE WELDED 31
INLET COUPLING SUPPORT 32

SAFETY CAP 38B
SAFETY VALVE 38A
E-VALVE 37
RINSE CAP ASSY 42
SPACER TOP
BOILER ASSY 36
SPACER BOTTOM

- Remove WATER TANK ASSY 15
- Remove Screw J1 to J3 (lift up Tray Rubber Cap)
- Remove Screw A1 to A6 & a1 to a2
- Remove STAND TOP ASSY 19
- Remove RETURN TUBE
- Remove Screw B1 to B2
- Remove INLET COUPLING SEAL
- Remove INLET COUPLING SUPPORT SEAL 30
- Remove TUBE
- Remove INLET SUPPORT PLATE WELDED 31
- Remove INLET COUPLING SUPPORT 32

- Remove SAFETY CAP 38B
- Remove SAFETY VALVE 38A
- Remove E-VALVE 3
- Remove Screw D1 & D2
- Remove RINSE CAP ASSY 42
- Remove SPACER TOP
- Remove BOILER ASSY 36
- Remove SPACER BOTTOM

POWER BOARD PCBA 20
PCBA HOLDER MOLDED 21
HALL SENSOR PCBA 22
INOX CLAMP 35
HOSE CLIP 34
PUMP MOUNTED ASSY 26

CLAMPING PLATE
CORDSET 43
CORD CLAMP
HOSE CORD MOUNTED ASSY 14
UI BOARD PCBA 23
BUTTON FRAME PRTEED 24
POWER BUTTON PRTEED 25
STAND BOTTOM ASSY 50

- Remove Screw C1 to C6
- Remove POWER BOARD PCBA 20
- Remove PCBA HOLDER MOLDED 21
- Disconnect All wire, Tubes & Hose
- Remove HALL SENSOR PCBA 22
- Remove INOX CLAMP 35
- Remove HOSE CLIP 34
- Remove PUMP MOUNTED ASSY 26

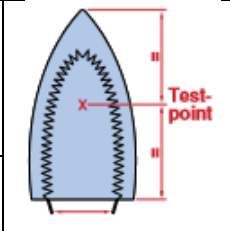
- Remove Screw E1 & E2
- Remove CLAMPING PLATE
- Remove CORDSET 43
- Remove Screw F1 & F2
- Remove CORD CLAMP
- Remove HOSE CORD MOUNTED ASSY 14
- Remove Screw L1 to L3
- Remove UI BOARD PCBA 23
- Remove Light Guide
- Remove Screw M1 & M2
- Remove BUTTON FRAME PRTEED 24
- Remove POWER BUTTON PRTEED 25
- Remove STAND BOTTOM ASSY 50

Repair Instruction

- Due to the high wattage of the iron, only the specified cord set must be used.
- Should damage be observed on the **CORDSET**, it must be replaced. Continued usage is not allowed.
- After the product has been repaired, it should function properly and has to meet the safety requirements & legal regulation as laid down & officially established at this moment.
- The following tests are common checks that are conducted on a repaired product before it is returned to the consumer.

1. Soleplate temperature

Check the soleplate temperature is within IEC requirement.

Soleplate Temperature (Deg C)		Materials, For Example	
Minimum	Maximum		
120	143	All Fabric Types	

2. Leakage current

Check that leakage current is within IEC requirement. Measure leakage current between LIVE/NEUTRAL & EARTH. IEC requirement is that at 230 V supply, the EARTH leakage current must be less than 0.75 mA.

3. Water leakage / Functionality

Check that there is no water leakage from any part of product during operation. Check that the functionality of the product (product dependent) eg. Steaming, variable steam, SOS, ASO etc is working properly.

4. Loose part

Check that there are no loose parts eg. Extra screws in the product that can cause short-circuit or product malfunctions.

5. Fuse open circuit

When replacing fuse, to also service the water tubes which is probably choked with calc.

6. Screws (A to M)

Screws should be as per the Original disassemble from product.

7. Self-Check mode

7.1 Introduction of Self-Check mode

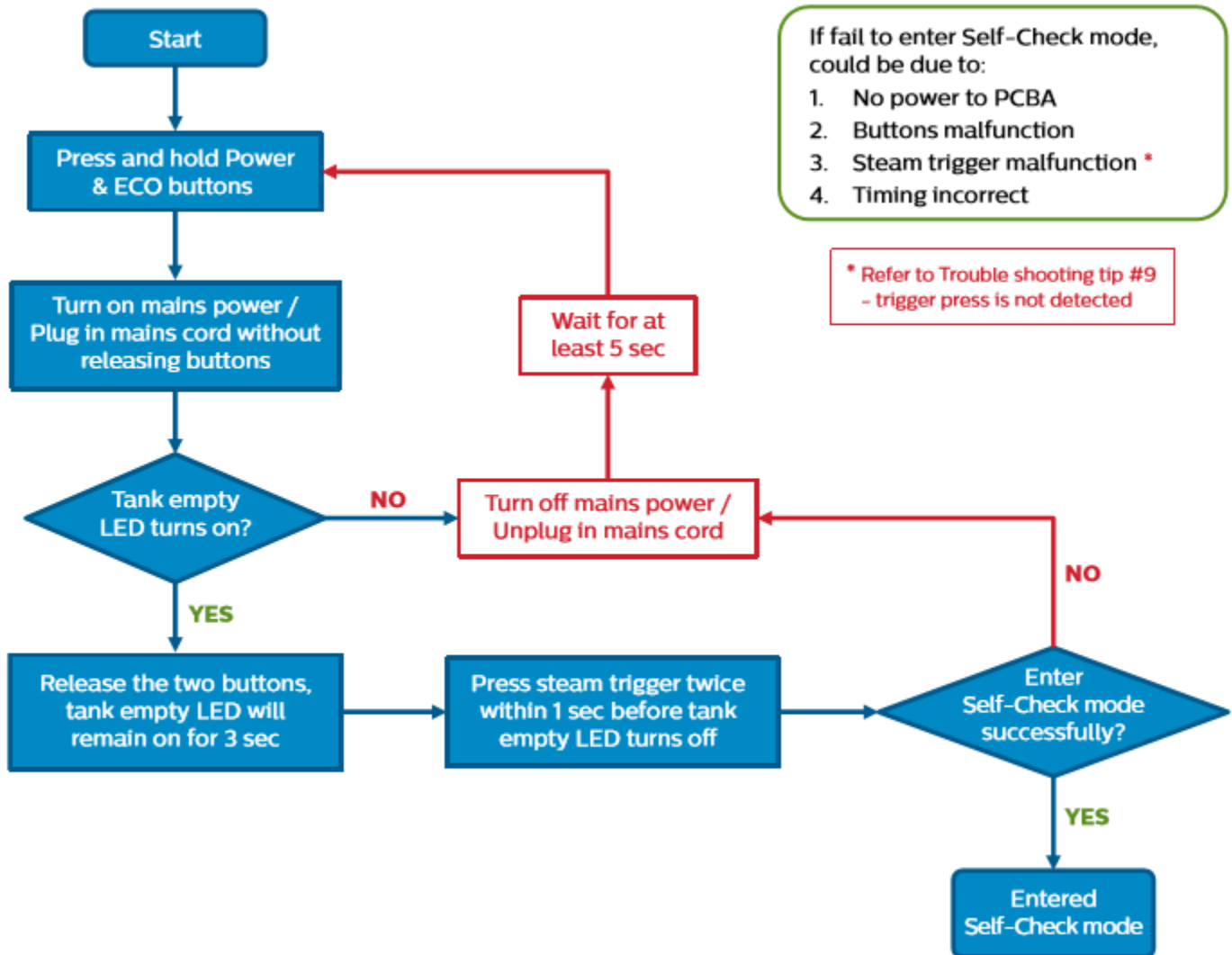
Self-Check mode is NOT an exhaustive diagnosis, but a quick preliminary check on all the hardware function. Further test and troubleshooting may still be required by Service Center to identify the root cause.

4239.0 Before start Self-Check mode, please do the following checking

- Make sure Soleplate is cold (< 100 °C)
- Make sure Boiler is cold (< 100 °C)
- Make sure Boiler is empty
- Water tank with water above min mark
- Water tank is NOT attached to the system
- Power meter in place to monitor system power

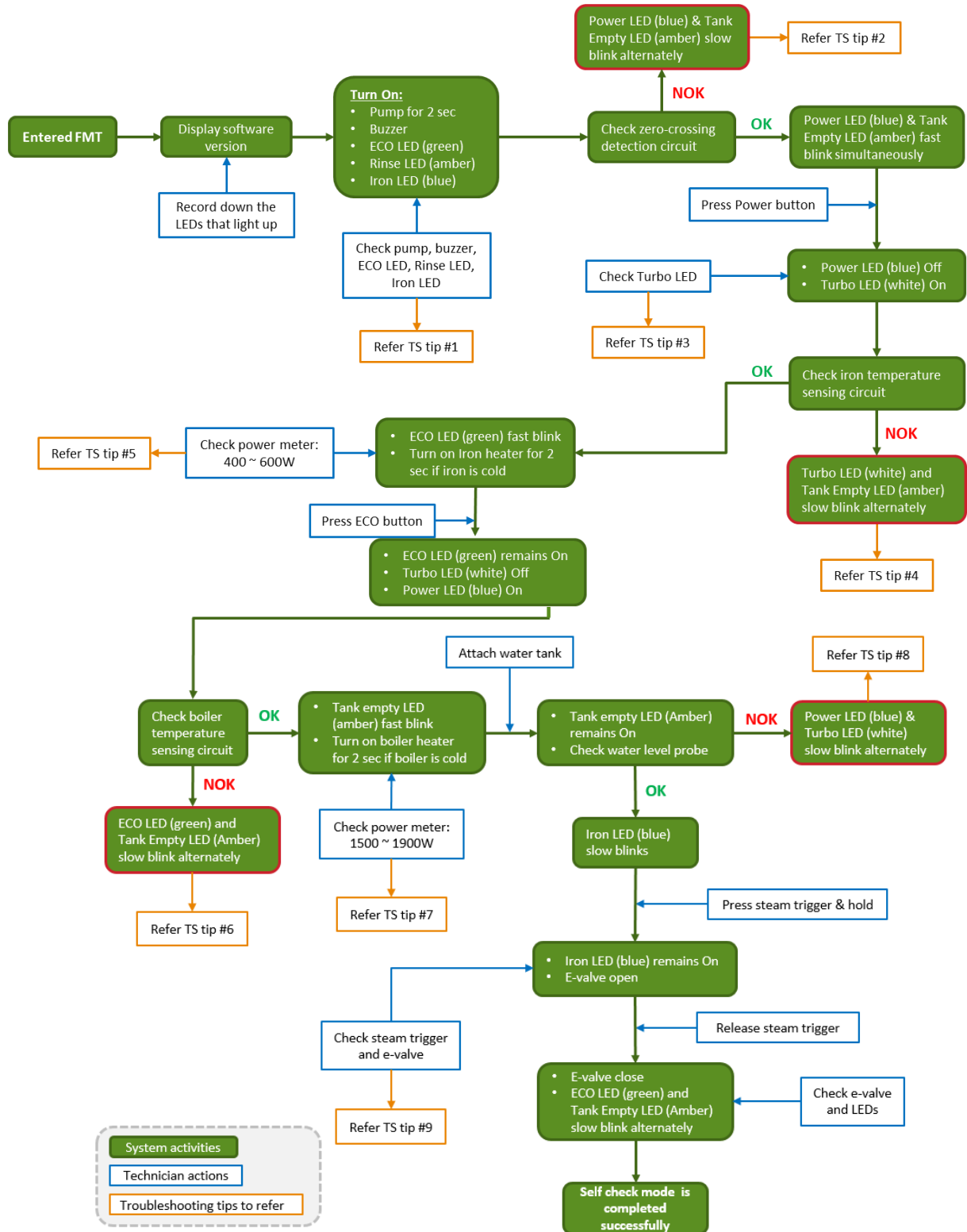
Repair Instruction

7.3. Enter Self-Check Mode Process Flow Chart



Repair Instruction

7.4. Perform Self-Check Mode Process Flow Chart



Repair Instruction

7.5. Troubleshooting Tips

TS Tip #1

- No Pumping sound, fault could be on:
 - a. Pump → Check by apply AC voltage directly
 - b. Power PCBA → Check by driving a known good pump
 - c. Connection → Check wire continuity
- No Buzzer Sound, fault could be on Power **PCBA**
- Iron LED does not light up as specified, fault could be on:
 - a. Iron LED and hose cord wiring → Disconnect connector 9016 from power PCBA and measure across pin 3 at female side and iron Neutral to check diode characteristics.
 - b. Power PCBA → Verify by using a new board
- Other LEDs does not light up as specified, fault could be on one of **PCBAs or interconnection**

TS Tip #2

- Zero-crossing detection circuit error, Fault should be on **PCBA**

TS Tip #3

- LEDs des not light up as specified, fault should be on one of the **PCBAs or interconnection**

TS Tip #4

- Iron Temperature sensing circuit error, fault could be on:
 - a. Thermistor → Check the resistance, should be around 200+kΩ
 - b. Power PCBA → Verify by using a new board
 - c. Connection → Check wire continuity

TS Tip #5

- Iron heater power does not show in the power meter, fault could be due to:
 - a. Iron is too hot → Cool down and try again
 - b. Iron fuse or heating element Open Circuit → Check Resistance between Iron Live and Neutral Signal

TS Tip #6

- Boiler temperature sensing circuit error, fault could be due to:
 - a. Thermistor → Check the Resistance, should be around 200+KΩ
 - b. Power PCBA → Verify by using a new board
 - c. Connection → Check Wire Continuity

TS Tip #7

- Boiler heater power does not show in the power meter, fault could be due to:
 - a. Boiler is too Hot → Cool down and retry
 - b. Boiler fuse or heating element Open Circuit → Check resistance between Boiler Live and Neutral Signal
 - c. Power PCBA → Verify by using a new board

Repair Instruction

7.5. Troubleshooting Tips

TS Tip #8





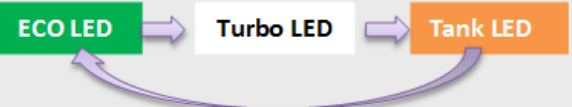
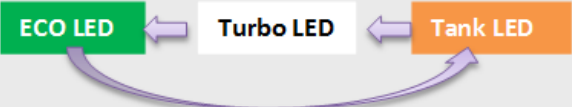
- Water probe error, fault could be due to:
 - a. Water inside the boiler → Remove water and retest
 - b. Probe reaches end of life → Replace Probe and retest
 - c. Connection → Check wire continuity
 - d. Power PCBA → Verify by using a new board

TS Tip #9

- E-valve does not open when steam trigger is pressed:
 - a. If Iron LED keeps blinking, trigger press not detected, fault could be on:
 - i) Trigger mechanism or hose cord connection → Disconnect connector 9016 from Power PCBA and measure continuity between the black wire (pin1) and iron Neutral, it should be short circuit when trigger is pressed, and open circuit when trigger is released.
 - ii) Power PCBA → Verify by using a new board
 - b. If Iron LED becomes steady on when press steam trigger, and system shows completed Self-Check mode successfully after release the trigger → Check E-valve related parts and Power PCBA

Repair Instruction

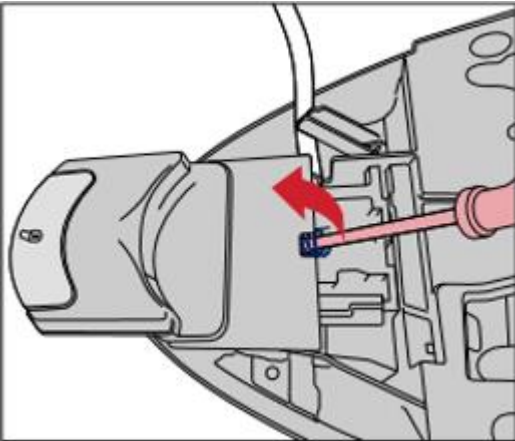
7.6 LED Blinking Error Signal Interpretation

Error Detected		LED Indication	System
Over Heat	Iron Over Heat (> 200 °C)	Power LED (Blue) Fast Blink (400ms) 	OFF
	Boiler Over Heat (> 250 °C)	Turbo LED (White) Fast Blink (400ms) 	OFF
Thermistor Error	Iron Thermistor Short Circuit	ECO, Power, Tank LED scrolling clockwise 	OFF
	Iron Thermistor Open Circuit	ECO, Power, Tank LED scrolling anti-clockwise 	OFF
	Boiler Thermistor Short Circuit	ECO, Turbo, Tank LED scrolling clockwise 	OFF
	Boiler Thermistor Open Circuit	ECO, Turbo, Tank LED scrolling anti-clockwise 	OFF

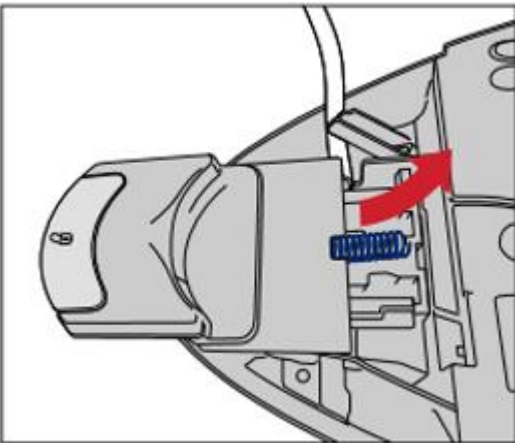
Repair Instruction

8.0 Lock Assy Disassembly Advice

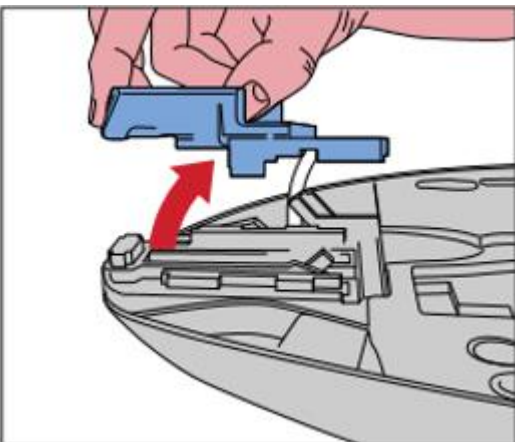
Step 1: Use a screw driver to lift up the spring in the Lock Assy.



Step 2: Remove the lifted spring.



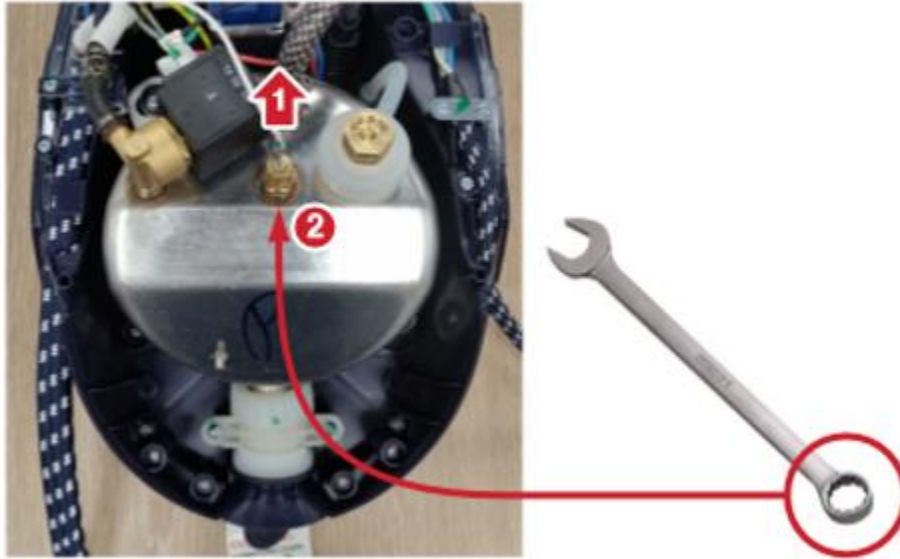
Step 3: Slide and lift up the lock Assy



Repair Instruction

9. Water Probe Assy Disassembly and Reassembly Advise

To disassemble Water Probe Assy from boiler, use an industrial standard wrench tool with the size of 12mm to avoid damaging the nut. Use the same wrench tool for reassembly after servicing.



Step 1: Detach Water Probe Assy wire from Terminal.

Step 2: Use wrench tool (12mm) to disassemble nut of Water Probe Assy

Record History

Version	Records	Author	Date
1	New Release	–	Aug 2015
2	Revised Section 6	–	Oct 2015
3	Added Pos. 3 in exploded view – Iron.	Cathy Dai	Jan 2016
4	Added in GC9642/69, 889964269050 to Part list.	Cathy Dai	18 th Mar 2016
5	Added in GC9650/80; 889965080640 to Part List Removed Pos. 19A, 19B, 19C. Added Pos. 52, Glove, 4239 017 14511 in all versions.	Cathy Dai	28 th Mar 2016
6	Changed Pos. 26, Pump Assy, 4239 021 87361 in all versions.	Cathy Dai	13 th Jun 2016
7	Added in GC9642/66; 889964266600 to Part List Removed GC9642/68 and GC9642/97 from Part List Updated Product Matrix.	Cathy Dai	5 th Oct 2016
8	Added in GC9641/60,889964160290 to Part list. Updated Product information and Product Matrix.	Cathy Dai	26 th Oct 2016
9	Added in Section 8 under Repair instruction	Cathy Dai	20 th Dec 2016
10	Added in GC9642/60, 889964260600 Part list.	Cathy Dai	28 th Apr 2017
11	Added in GC9622/20, 889962220500 Part list.	Cathy Dai	7 th Jun 2017
12	Changed Pos. 1 and Pos 14 in all versions.	Cathy Dai	13 th Sep 2017
13	Removed Pos. 16G and 16H for some versions. – Changed Pos. 19 for some versions.	Cathy Dai	3 rd Oct 2017
14	Updated Parts lists.	Cathy Dai	12 th Oct 2017
15	Added in GC9630/20, 889963020450 to Part list.	Cathy Dai	27 th Oct 2017
16	Update Product Matrix and Exploded Views Add in the following into Part List GC9610/20; 889961020290, GC9611/20; 889961120290, GC9612/20; 889961220290, GC9614/20; 889961420290, GC9614/20; 889961420380, GC9615/20; 889961520290, GC9635/20; 889963520010, GC9635/20; 889963520180, GC9635/20; 889963520300, GC9644/20; 889964420220, GC9648/60; 889964860290, GC9646/60; 889964660290, GC9647/60; 889964760290 Removed the following from Part List GC9620/21; 889962021160, GC9622/21; 889962221160, GC9630/21; 889963021160 Removed Items from Part List, POS: 41; Ryton Ring, 16G; Front Lock Catch Spring, 16H; Front lock Slider Spring	Seet BK	12 th Mar 2018
17	Add the following into Parts List GC9635/26; 889963526150	Seet BK	23 rd Apr 2018
18	Add GC9650/80: 889965080150 Replaced 2422 070 98592 by 2422 070 98595 for GC9642/60; 889964260010	Chong Yoke Lan	24 th Apr 2018
19	IPM 141270 Add GC9630/25 ; 889963025040	Chong Yoke Lan	8 th Jul 2018
20	Update Exploded View & Parts List Add in the following into Parts List GC9611/21; 889961121160, GC9612/21; 889961221160, GC9614/20; 889961420010, GC9614/21; 889961421160, GC9615/20; 889961520010; GC9640/65; 889964065040. Add POS 53, Thermistor Assy into Parts List for all Models Amend Repair Instruction by adding LED blinking Error Signal Interpretation.	Seet BK	16 th Aug 2018

Record History

Version	Records	Author	Date								
21	Add in the following into Parts List GC9650/85; 889965085040	Seet BK	28 th Aug 2018								
22	Removed Electrical Diagram Update Parts List	Seet BK	26 th Oct 2018								
23	Add in the following into part list for GC9650/80 to resolve IPM-142540 889965080040; 889965080220; 889965080290; 889965080300; 889965080400 Remove phantom part from part list Update exploded View Update Disassembly Instruction Replace Self Check Mode Process Flow Chart	Chong Yoke Lan	15 th Dec 2018								
24	Update 12NC for Soleplate Mounted Assy in Pos 13 per table below: 4239 021 xxxxx is part of 4239 022 xxxxx <table border="1" data-bbox="272 611 1024 772"> <thead> <tr> <th>Soleplate Mounted Assy 12NC</th> <th>Soleplate Mounted Assy with packaging 12NC</th> </tr> </thead> <tbody> <tr> <td>4239 021 86861</td> <td>4239 022 69631</td> </tr> <tr> <td>4239 030 17761</td> <td>4239 022 76031</td> </tr> <tr> <td>4239 021 88563</td> <td>4239 022 69641</td> </tr> </tbody> </table>	Soleplate Mounted Assy 12NC	Soleplate Mounted Assy with packaging 12NC	4239 021 86861	4239 022 69631	4239 030 17761	4239 022 76031	4239 021 88563	4239 022 69641	Chong Yoke Lan	10 th Jan 2019
Soleplate Mounted Assy 12NC	Soleplate Mounted Assy with packaging 12NC										
4239 021 86861	4239 022 69631										
4239 030 17761	4239 022 76031										
4239 021 88563	4239 022 69641										
25	Position number correction on exploded view to resolve IPM-152500	Chong Yoke Lan	19 th Feb 2019								